

GROUP 70

**COMPONENT
LOCATIONS**

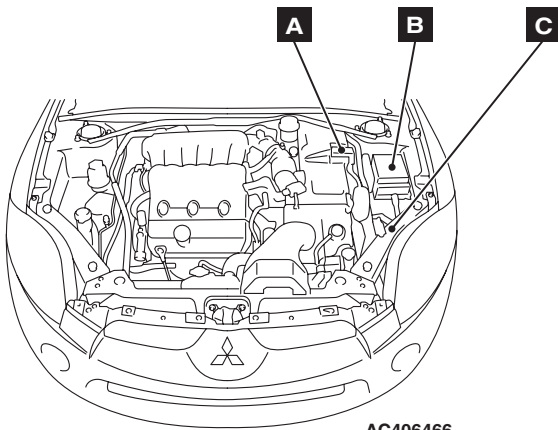
CONTENTS

| | | | |
|--|-------------|------------------------------------|--------------|
| FUSIBLE LINK, FUSE AND IOD OR STORAGE CONNECTOR | 70-2 | OTHER DEVICES | 70-7 |
| GROUNDING CABLE | 70-3 | SENSOR | 70-8 |
| GROUNDING | 70-4 | CONTROL UNIT | 70-16 |
| INSPECTION TERMINAL | 70-6 | SOLENOID AND SOLENOID VALVE | 70-18 |
| | | RELAY | 70-21 |

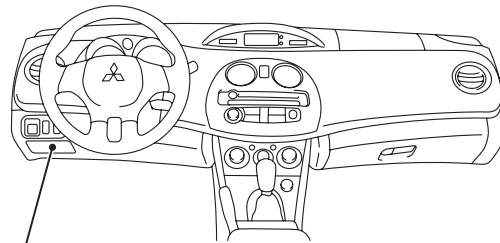
FUSIBLE LINK, FUSE AND IOD OR STORAGE CONNECTOR

M1701000100692

| NAME | SYMBOL | NAME | SYMBOL |
|---|--------|--|--------|
| Fuse Nos.1 to 24 (Passenger compartment) | D | Fusible link No.27 (Engine compartment) | A |
| Fuse Nos.6 to 25 (Engine compartment) | B | Fusible link Nos.1 to 5 (Engine compartment) | B |
| Fusible link No.26 (Engine compartment) <2.4L Engine> | C | IOD or storage connector | B |



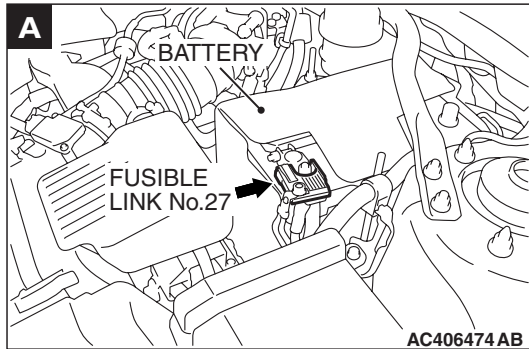
AC406466



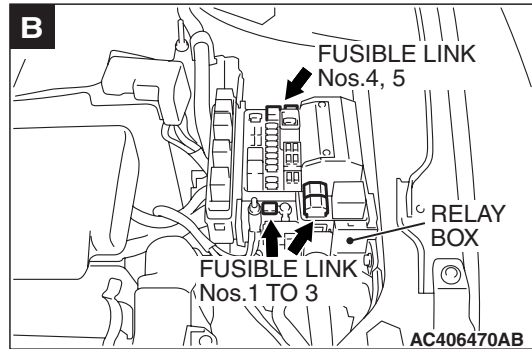
AC406467

D

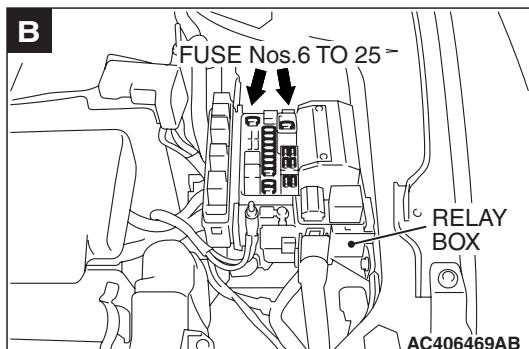
AC407214AB



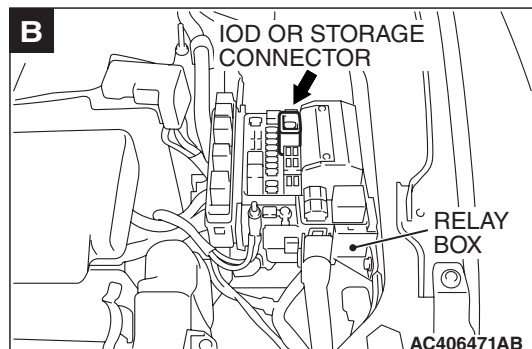
AC406474AB



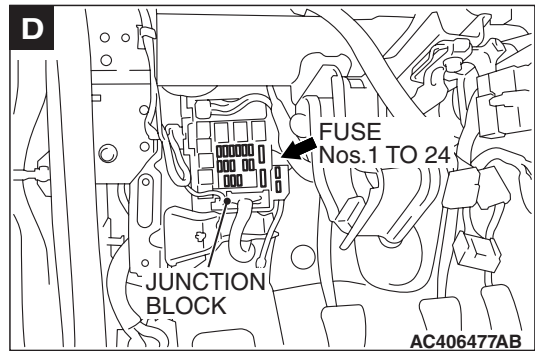
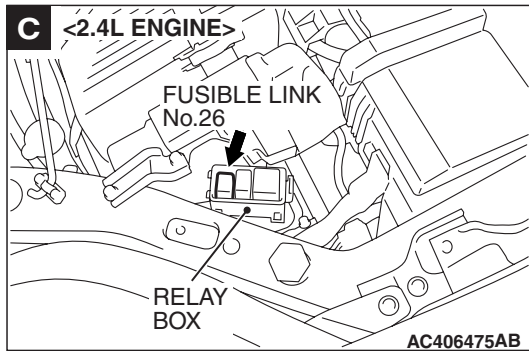
AC406470AB



AC406469AB



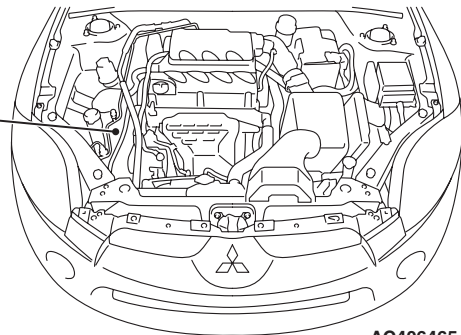
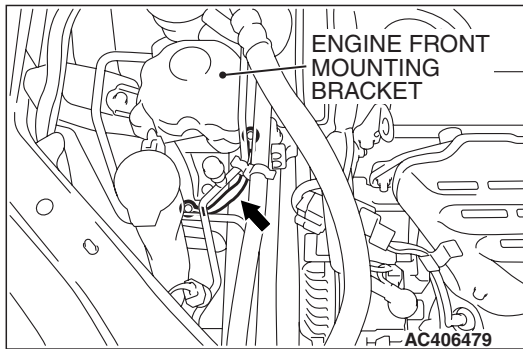
AC406471AB



GROUNDING CABLE

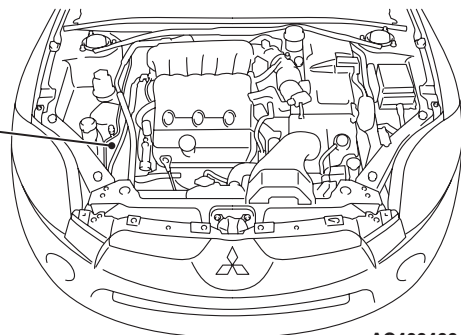
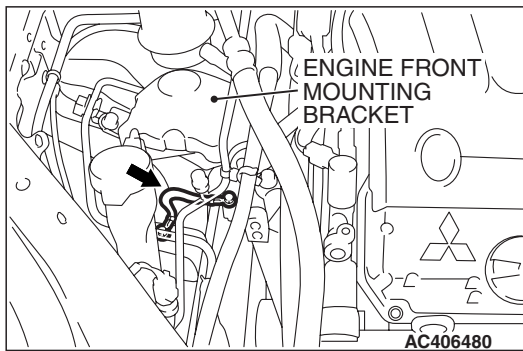
M1701001000568

<2.4L ENGINE>



AC407215AB

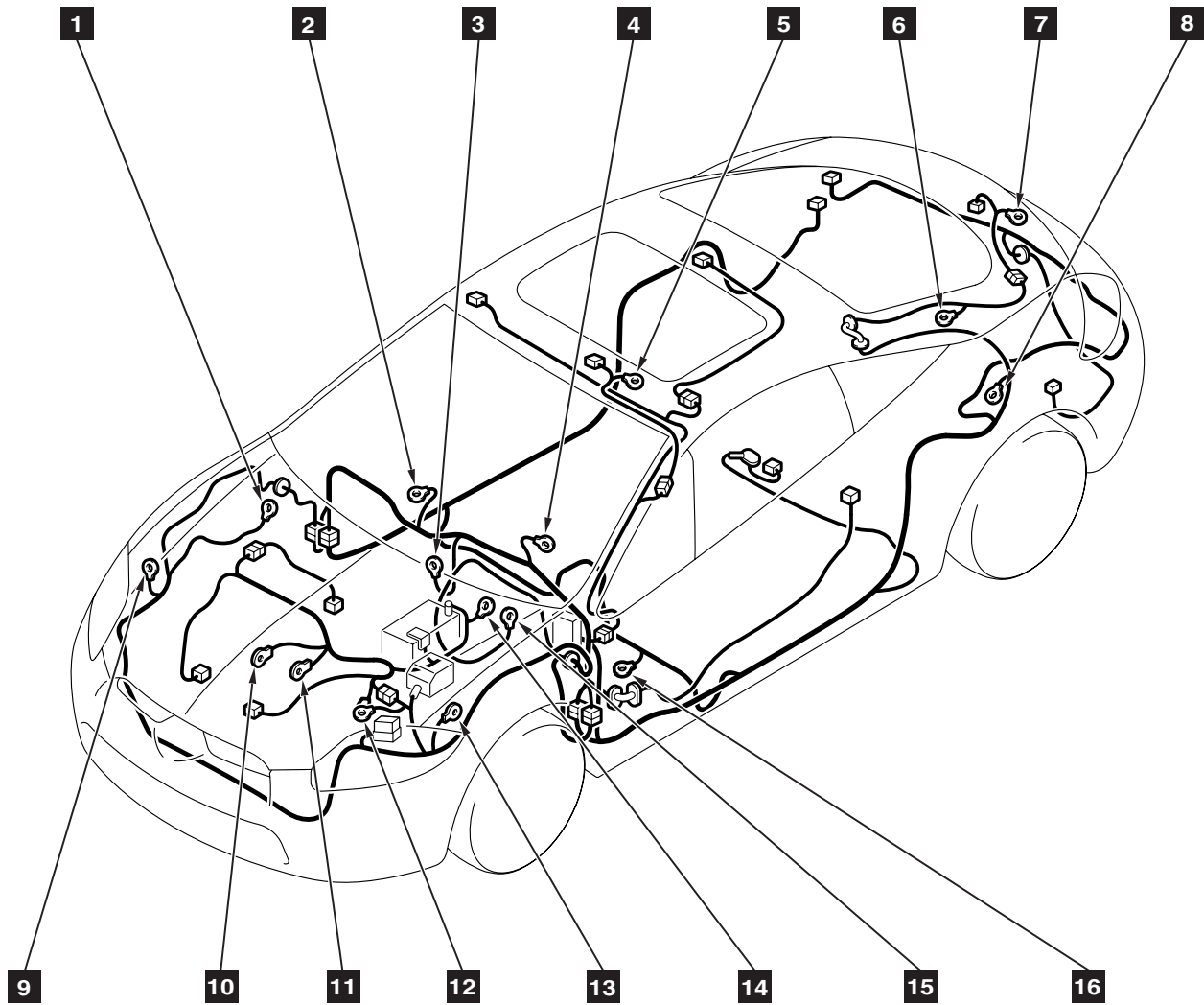
<3.8L ENGINE>



AC407216AB

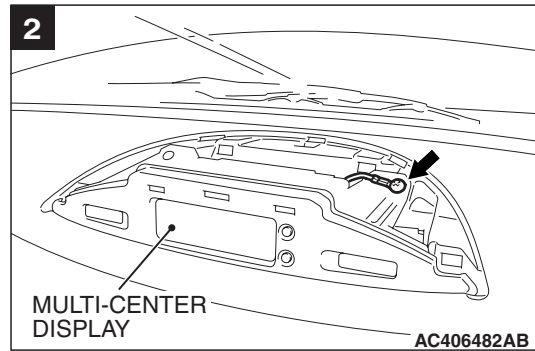
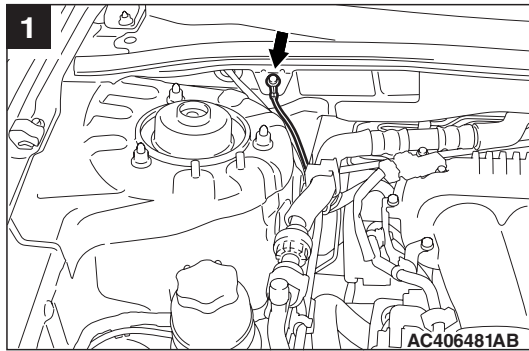
GROUNDING

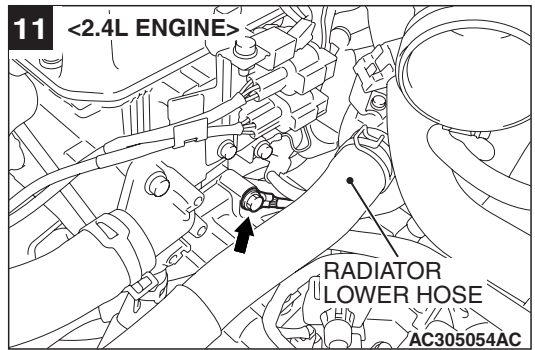
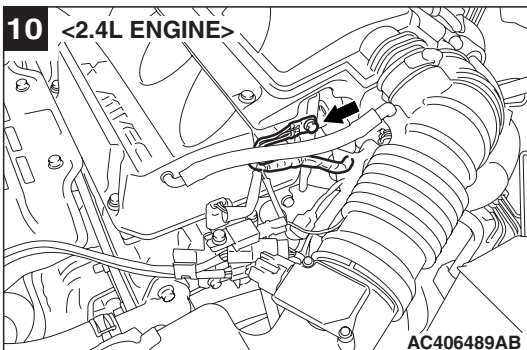
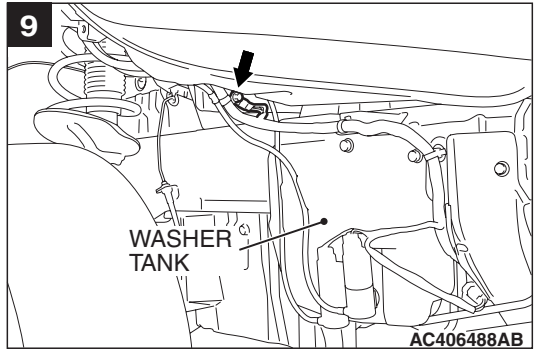
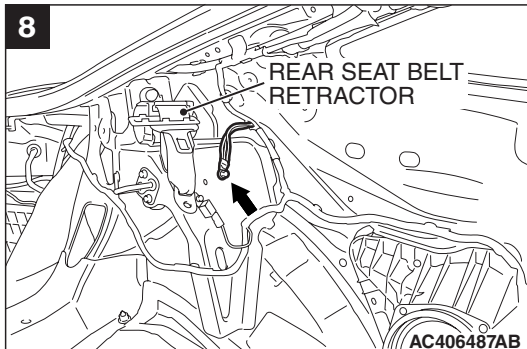
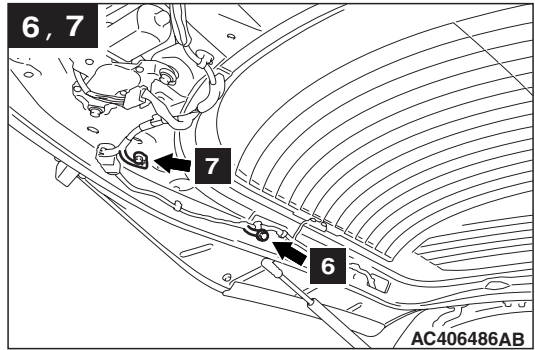
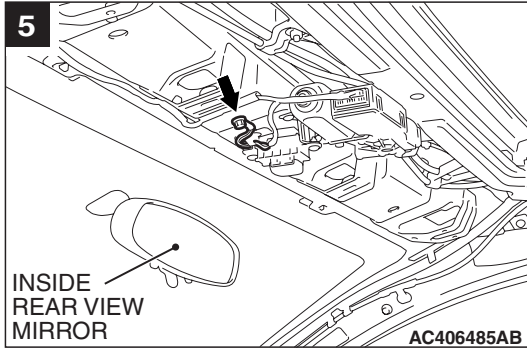
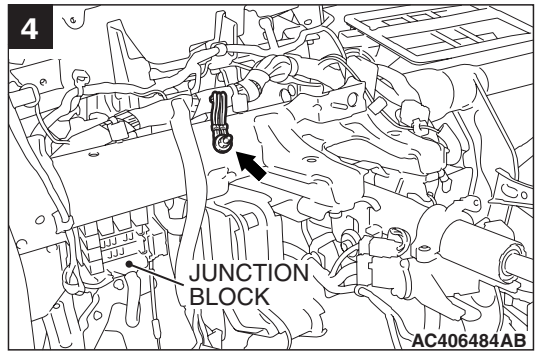
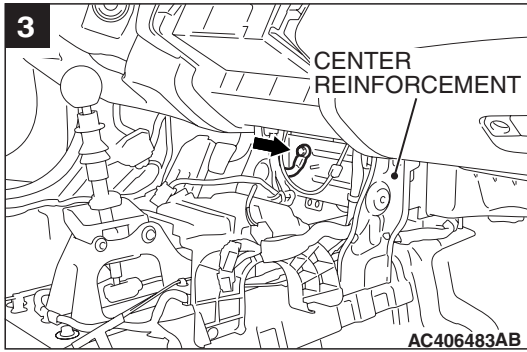
M1701000300685

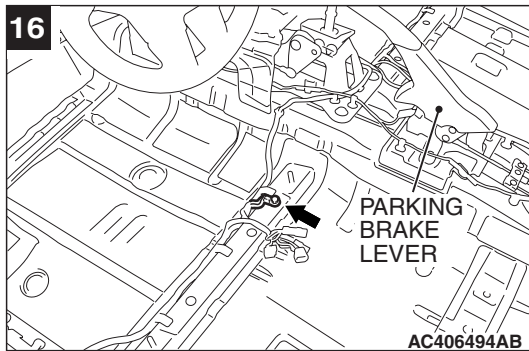
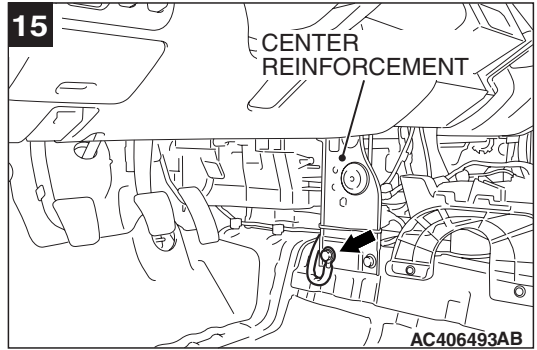
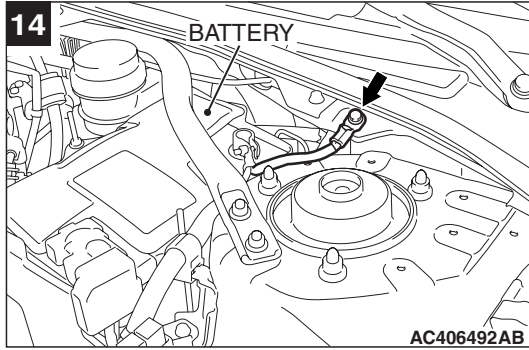
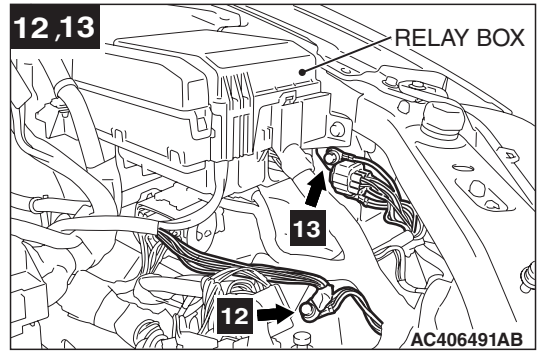
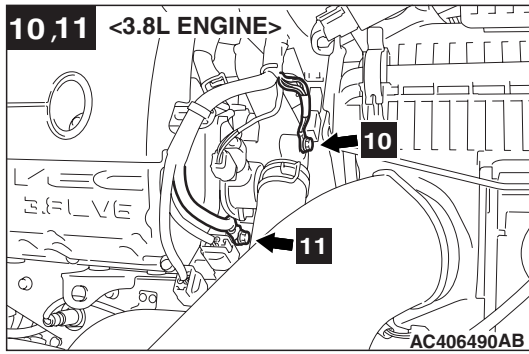


AC407217AB

NOTE: 1 to 16 numbers correspond to the body ground point numbers in CIRCUIT DIAGRAMS.

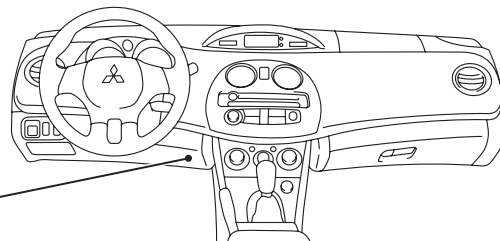
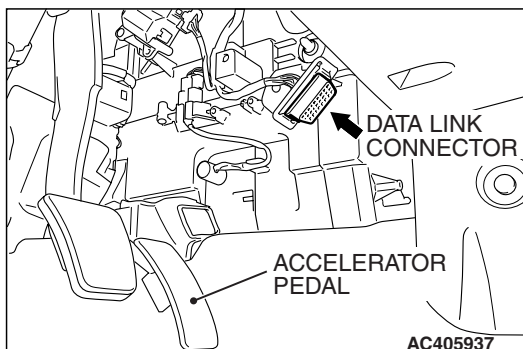






INSPECTION TERMINAL

M1701000200611



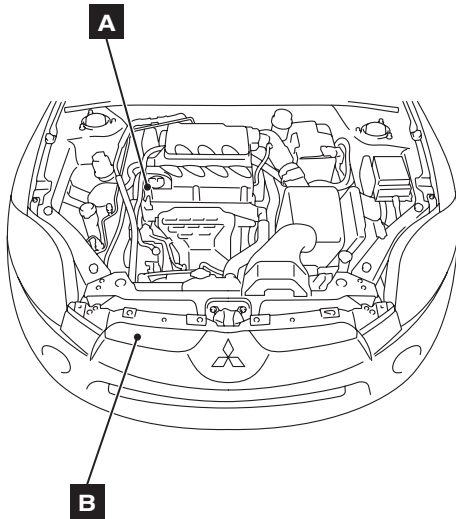
AC407218AB

OTHER DEVICES

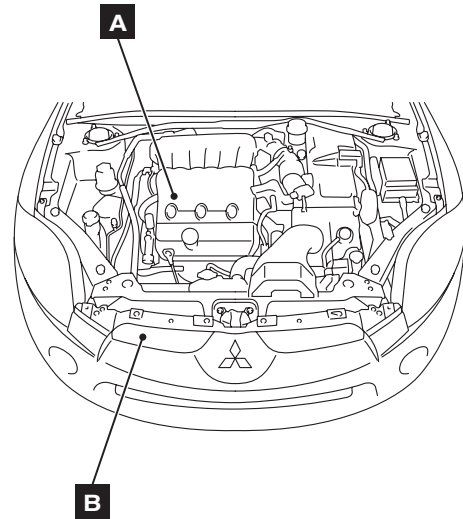
M1701005600421

| NAME | SYMBOL | NAME | SYMBOL |
|--|--------|--------------------------------|--------|
| A/C compressor assembly (incorporating A/C refrigerant temperature switch) | B | Power steering pressure switch | A |

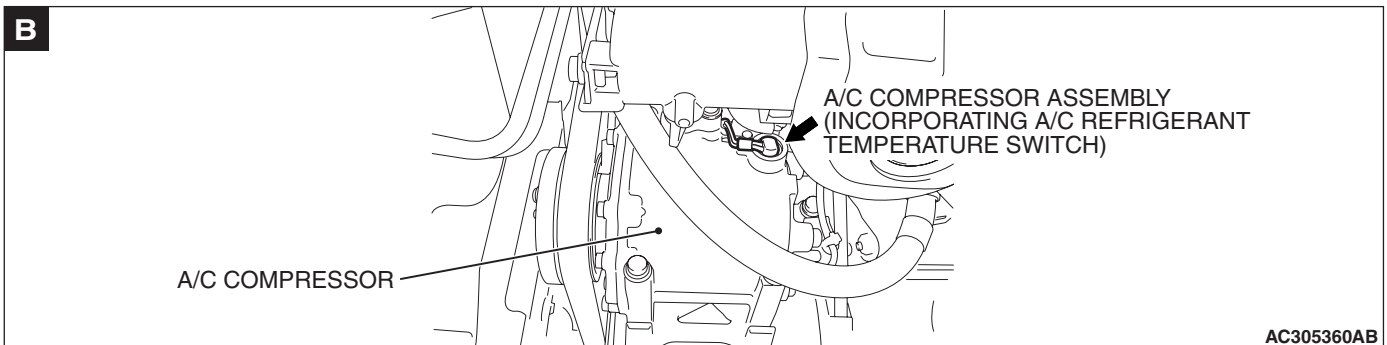
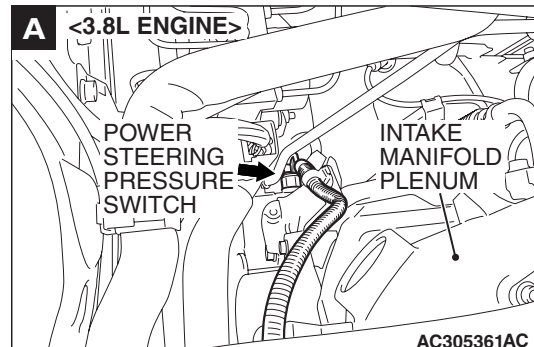
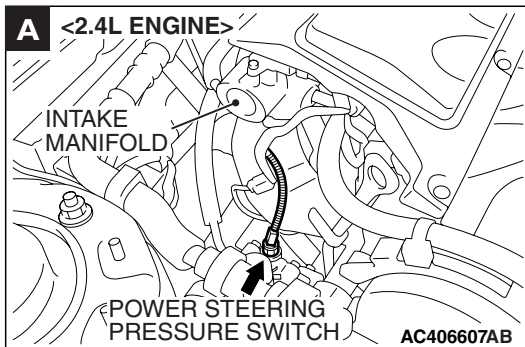
<2.4L ENGINE>



<3.8L ENGINE>



AC407219AC

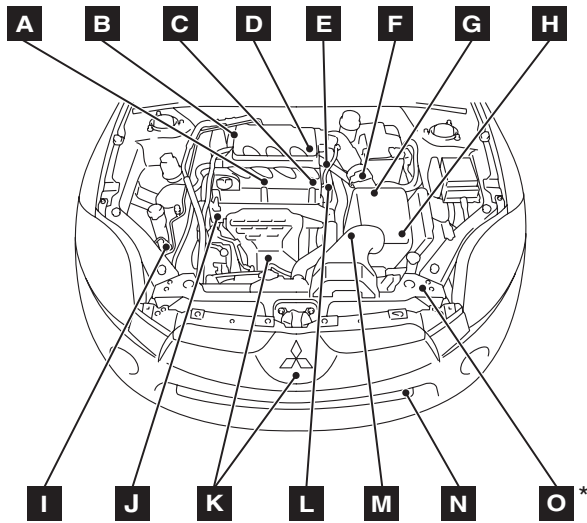


SENSOR

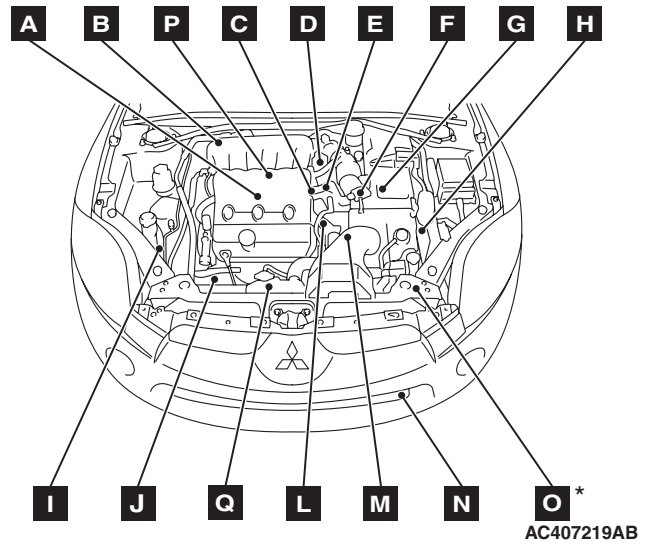
M1701000600813

| NAME | SYMBOL | NAME | SYMBOL |
|--|--------|--|--------|
| A/C pressure sensor | I | Input shaft speed sensor <A/T> | M |
| A/T control solenoid valve assembly (Incorporating transmission fluid temperature sensor) | H | Knock sensor | A |
| Accelerator pedal position sensor | S | Left bank heated oxygen sensor (front) <3.8L Engine> | Q |
| Air thermo sensor | U | Left bank heated oxygen sensor (rear) <3.8L Engine> | Q |
| Ambient temperature sensor <A/C> | N | Manifold absolute pressure sensor | B |
| Ambient temperature sensor <Multi- center display> | N | Mass airflow sensor | F |
| Camshaft position sensor | L | Occupant classification sensor (LH), (RH) | V |
| Crankshaft position sensor | J | Output shaft speed sensor <A/T> | G |
| Cylinder 1, 4 heated oxygen sensor (front) <2.4L Engine> | K | Photo sensor <Automatic A/C> | R |
| Cylinder 1, 4 heated oxygen sensor (rear) <2.4L Engine> | K | Rear light sensor <Automatic anti- dazzling mirror> | W |
| Cylinder 2, 3 heated oxygen sensor (front) <2.4L Engine> | K | Right bank heated oxygen sensor (front) <3.8L Engine> | P |
| Cylinder 2, 3 heated oxygen sensor (rear) <2.4L Engine> | K | Right bank heated oxygen sensor (rear) <3.8L Engine> | P |
| Engine coolant temperature sensor | E | Seat slide sensor | b |
| Front impact sensor | O | Side impact sensor <Side air bag> | d |
| Front light sensor <Automatic anti- dazzling mirror> | W | Sunroof motor assembly (Incorporating pulse sensor) | X |
| Fuel level sensor (sub) | Y | Throttle body assembly (Incorporating throttle position sensor) | D |
| Fuel pump module (Incorporating fuel level sensor (main) and fuel tank temperature sensor) | c | Vehicle speed sensor <M/T> | C |
| Fuel tank differential pressure sensor | c | Wheel speed sensor (front) <ABS> | a |
| Heater air intake duct sensor <Automatic A/C> | T | Wheel speed sensor (rear) <ABS> | Z, e |

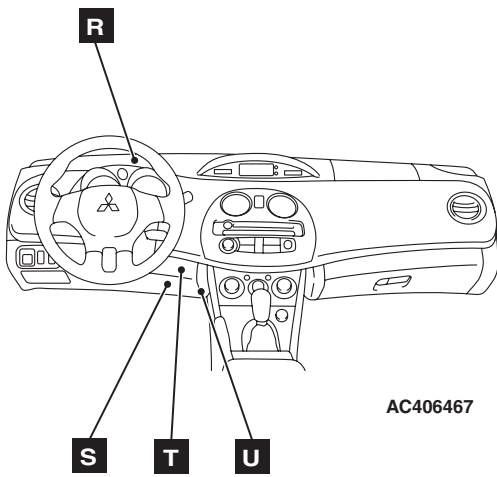
<2.4L ENGINE>



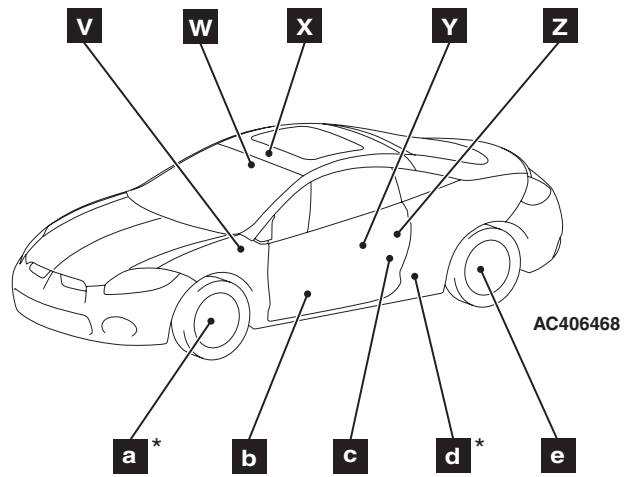
<3.8L ENGINE>



AC407219AB



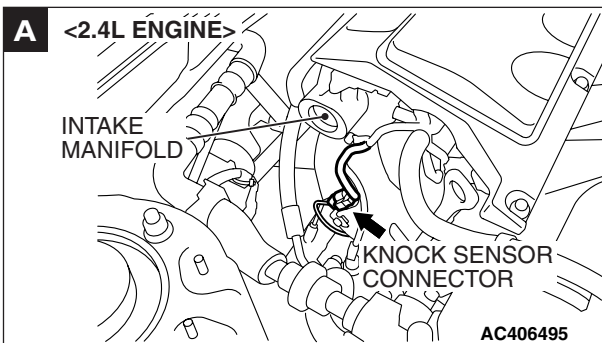
AC406467



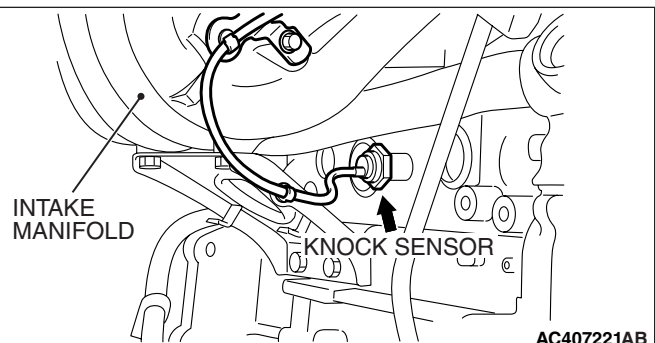
AC406468

AC407220AB

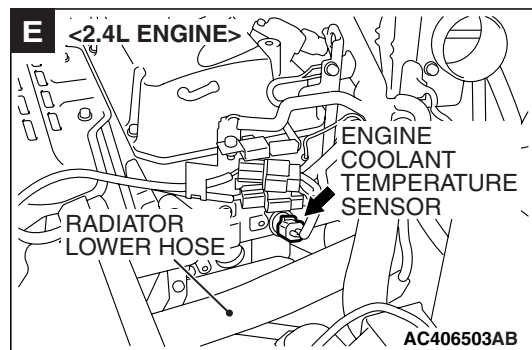
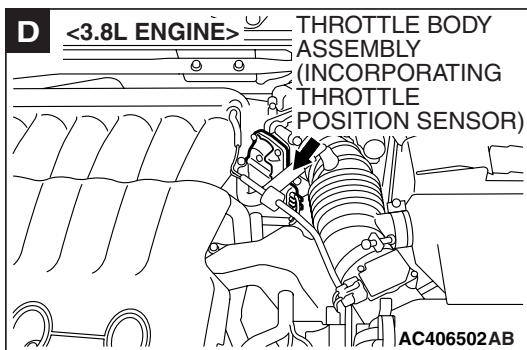
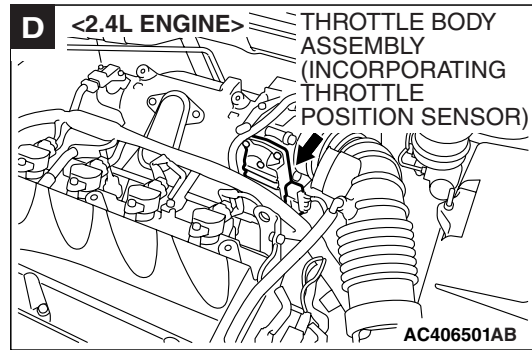
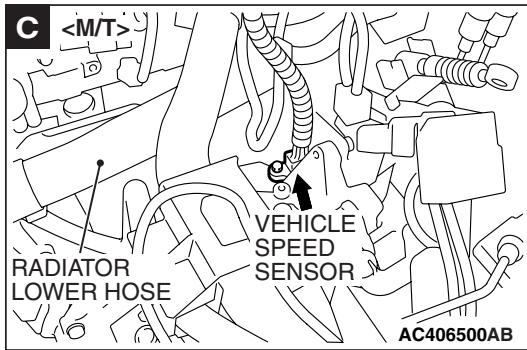
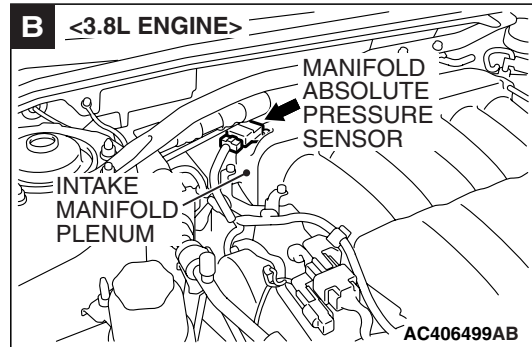
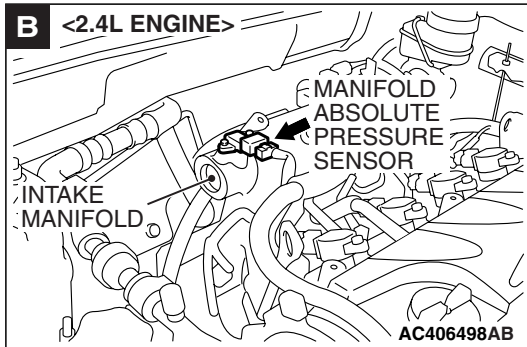
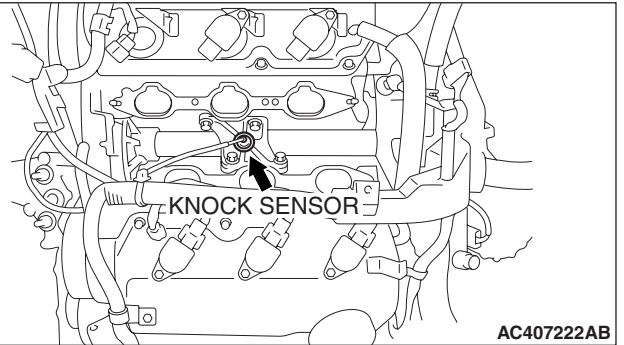
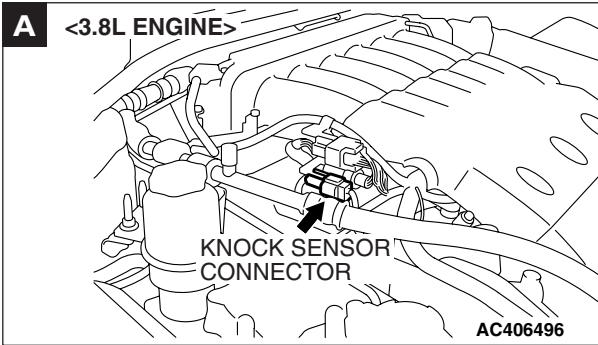
NOTE: The * symbols indicate equipped at both sides.

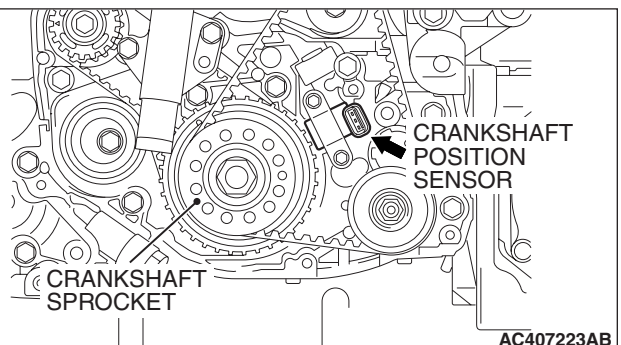
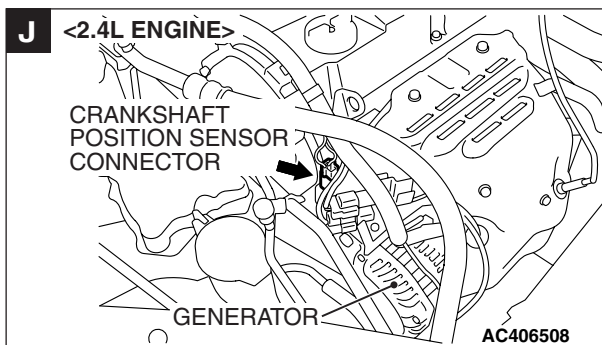
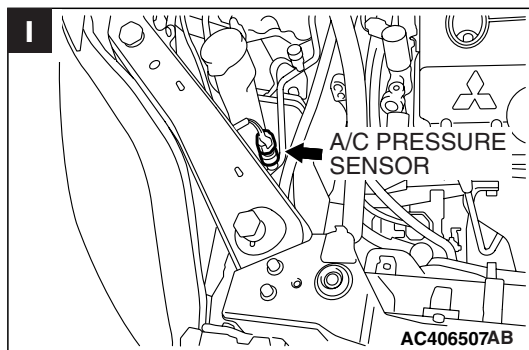
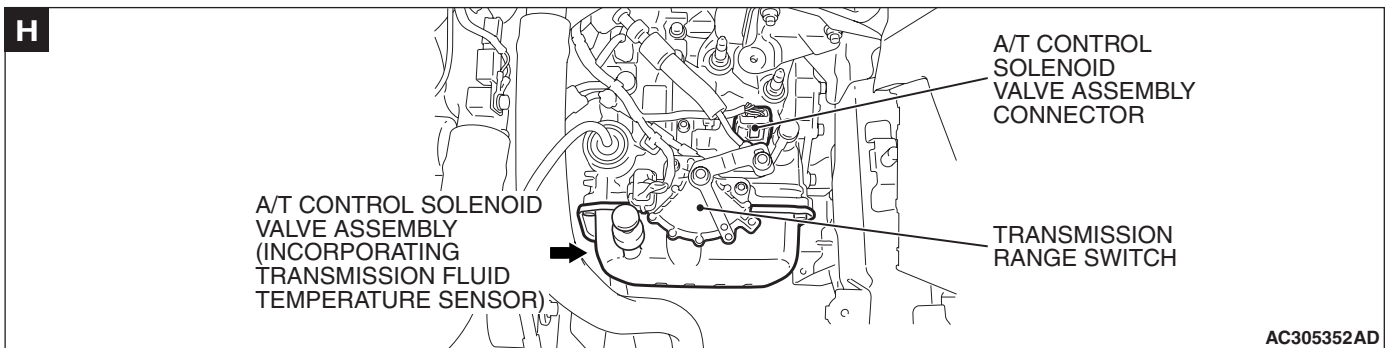
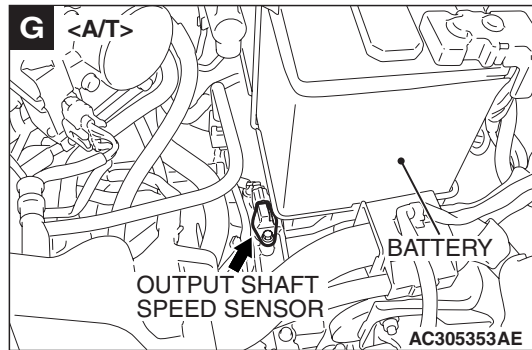
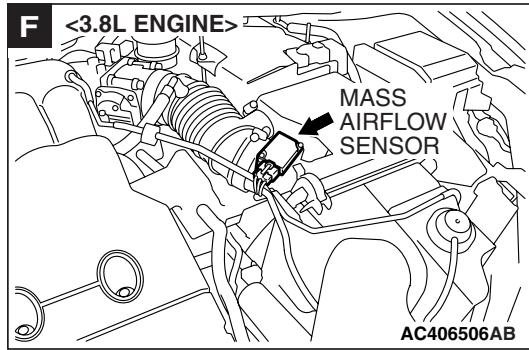
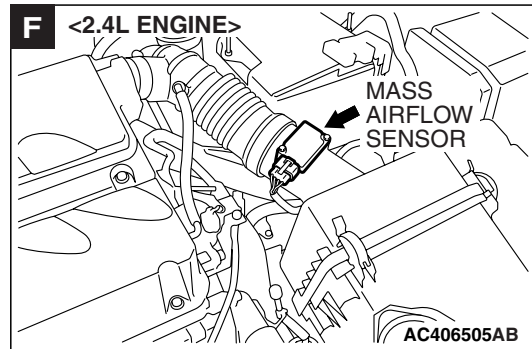
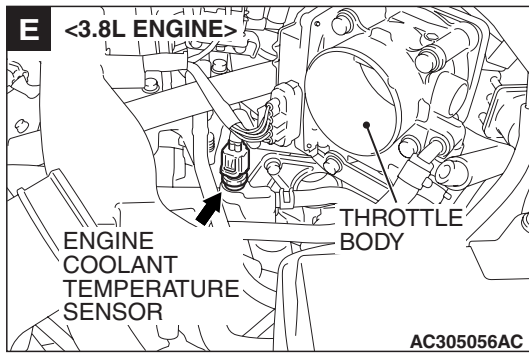


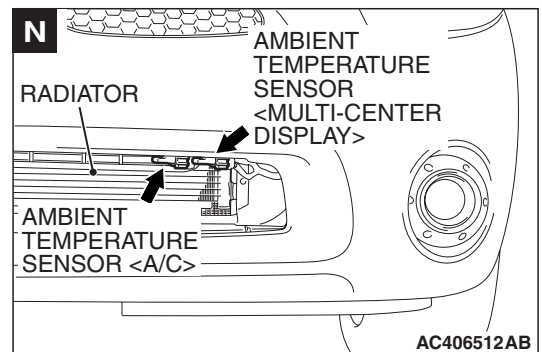
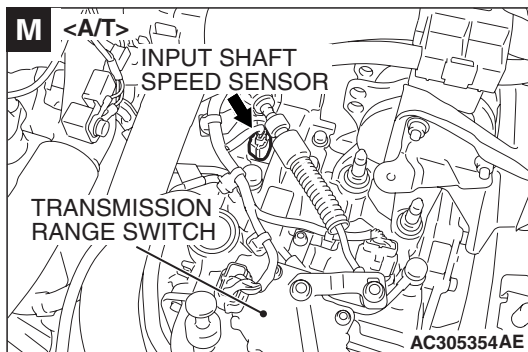
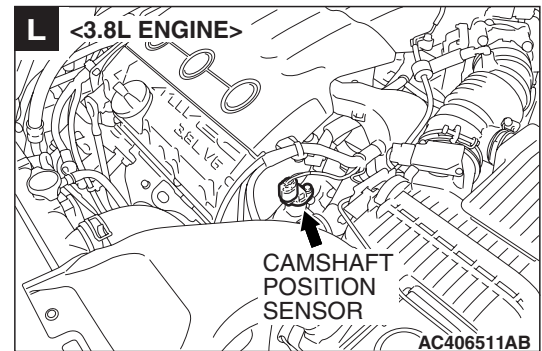
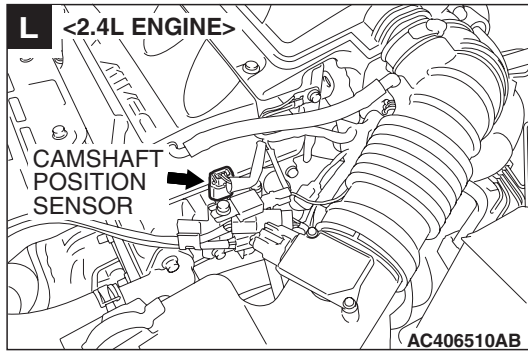
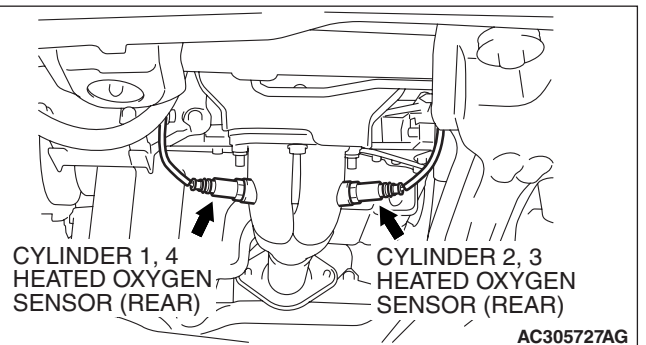
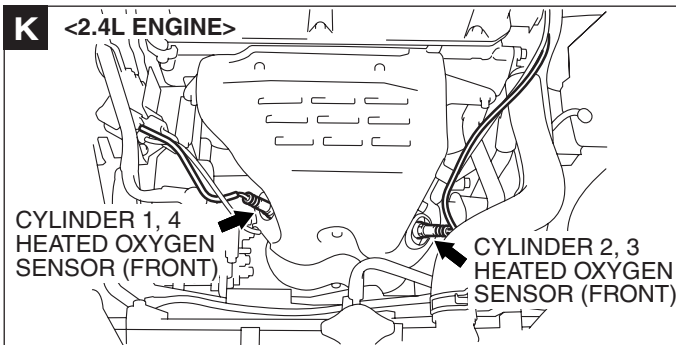
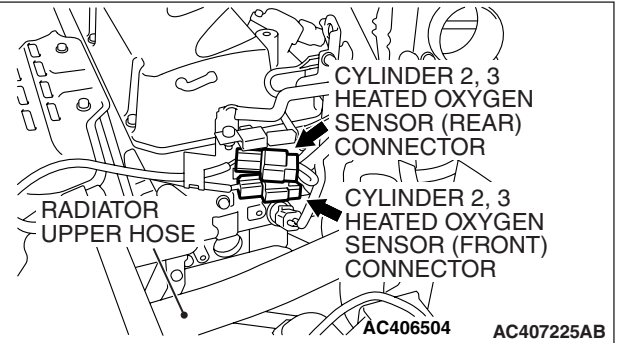
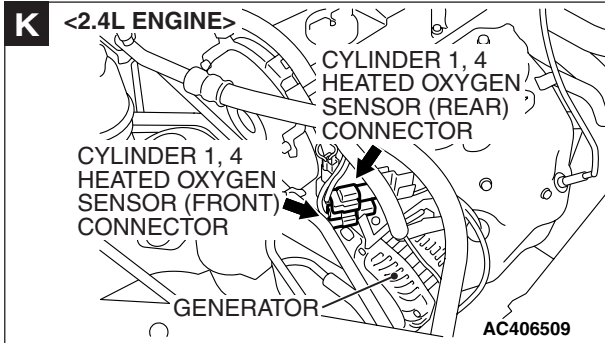
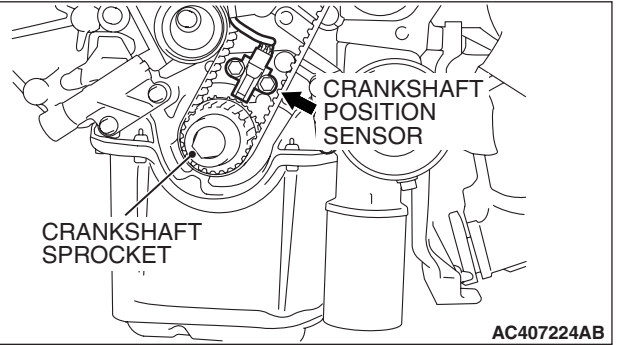
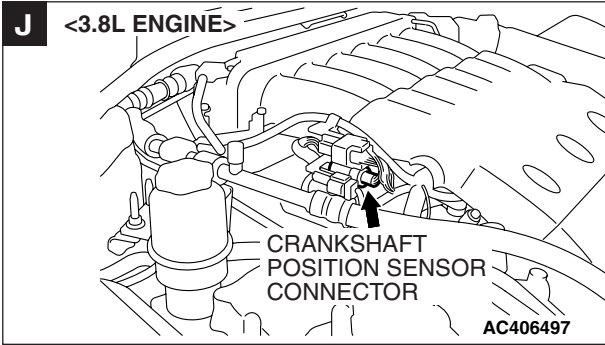
AC406495

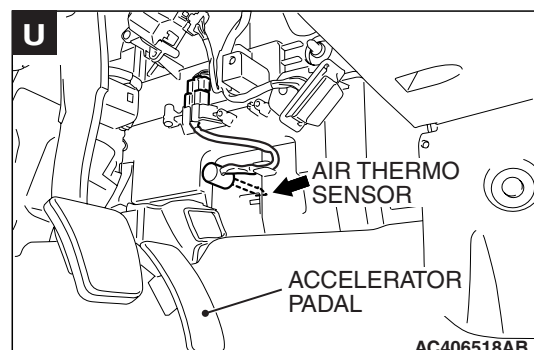
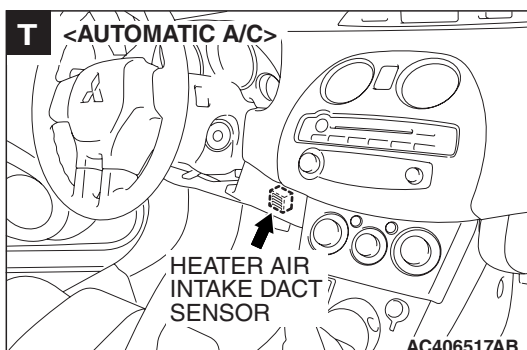
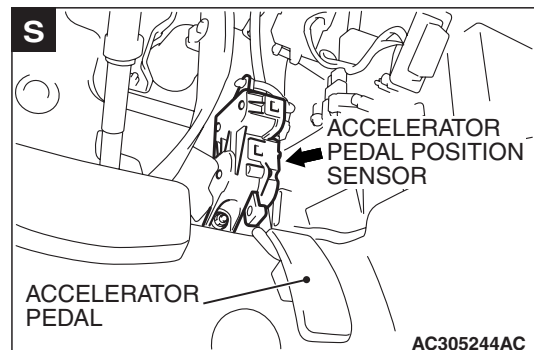
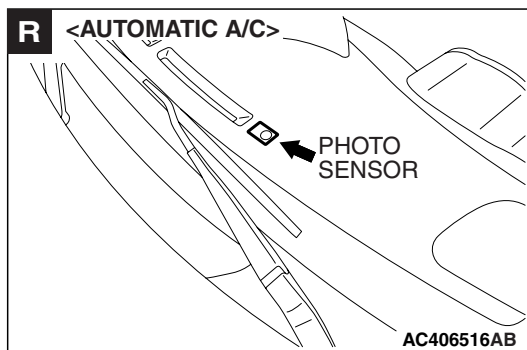
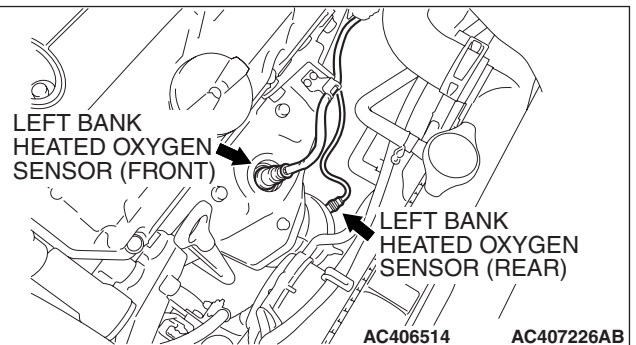
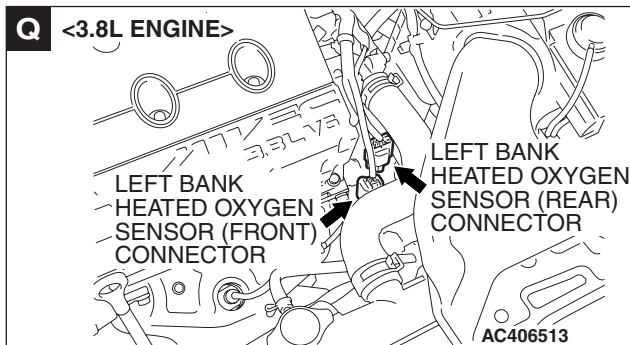
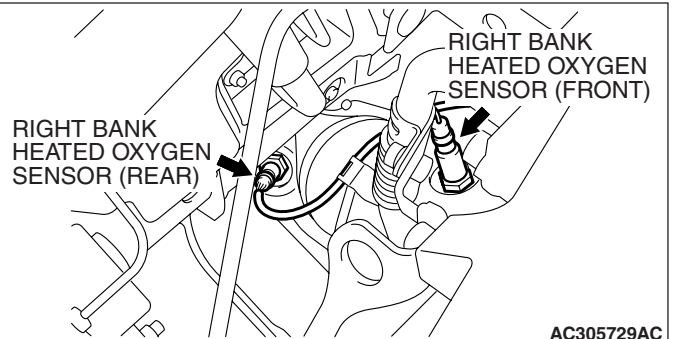
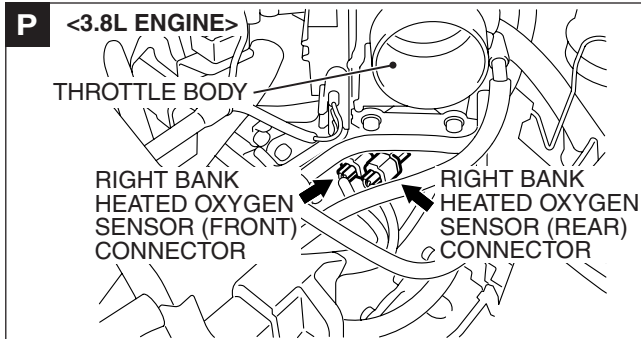
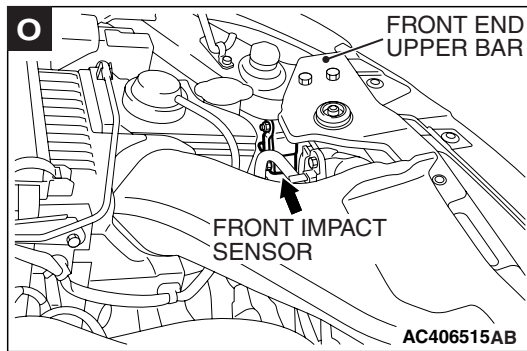


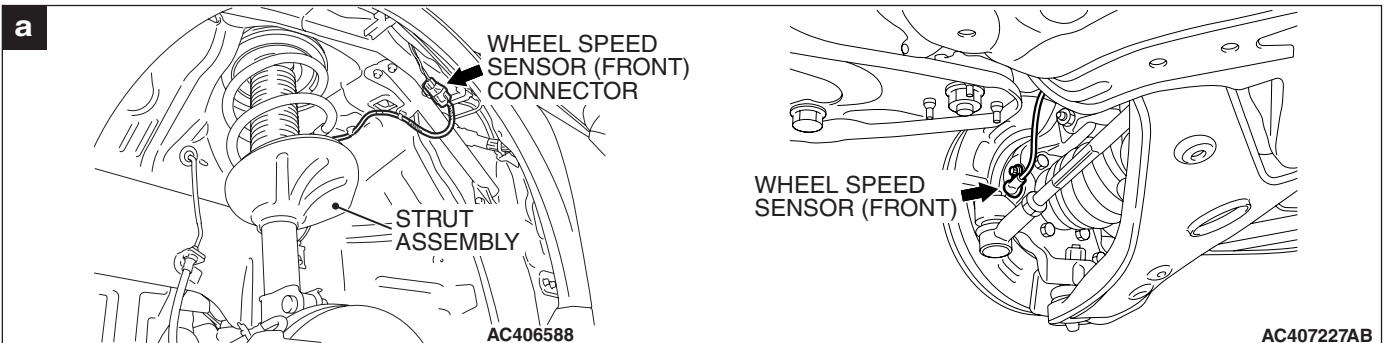
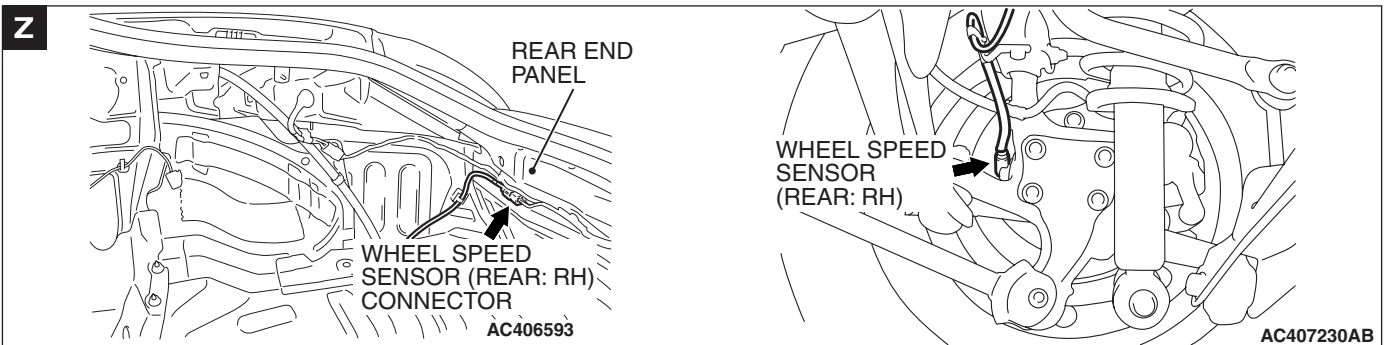
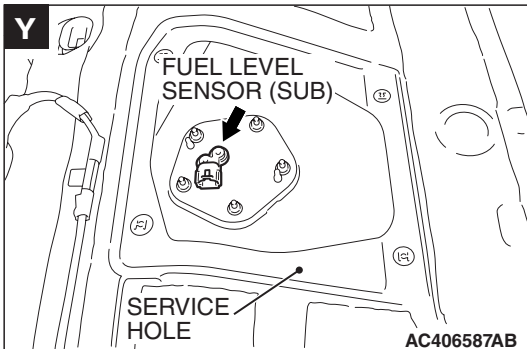
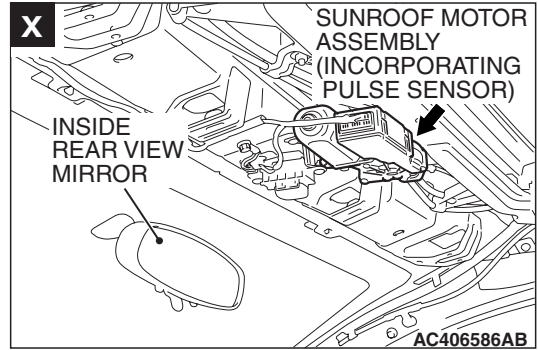
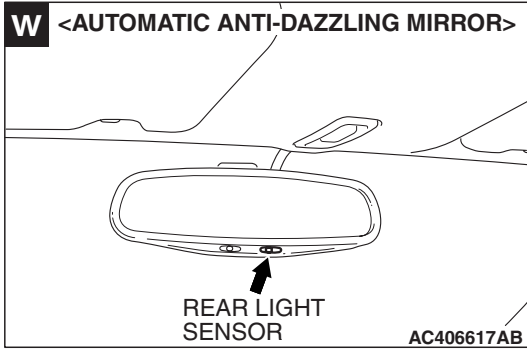
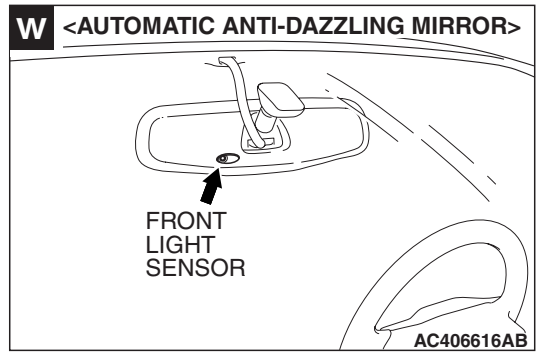
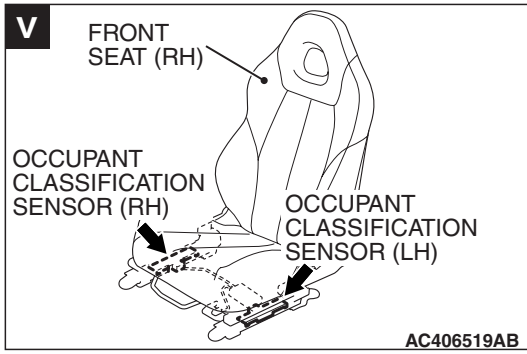
AC407221AB

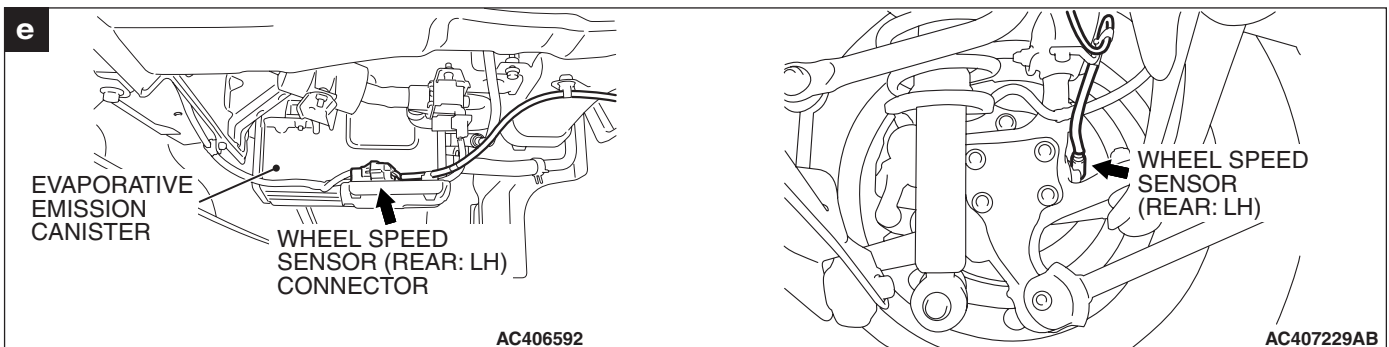
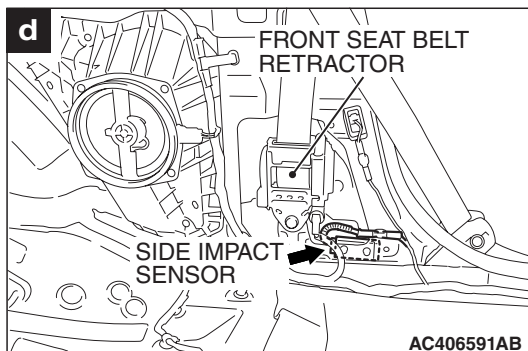
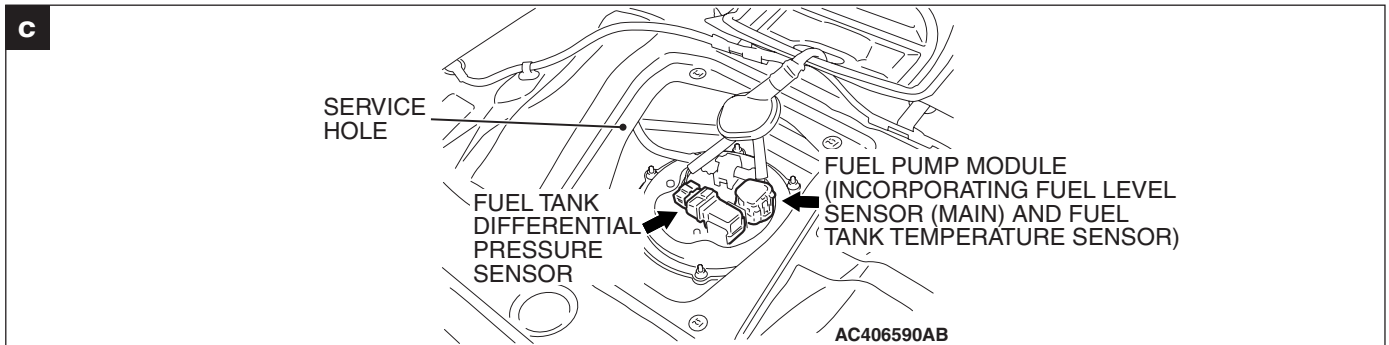
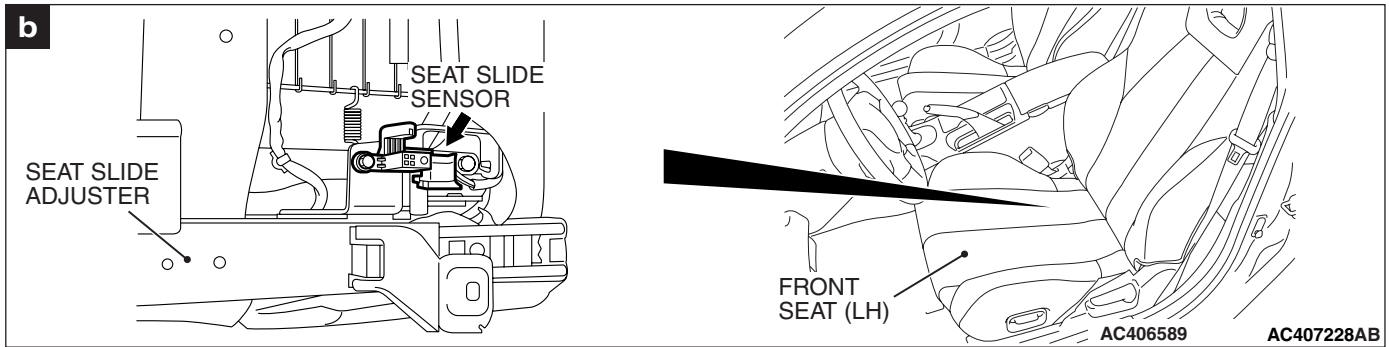








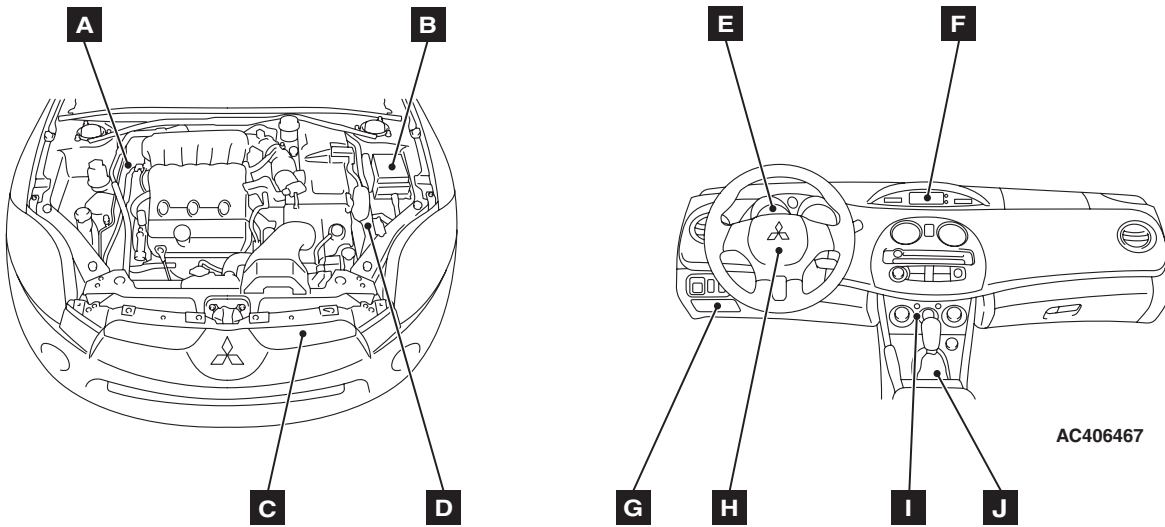




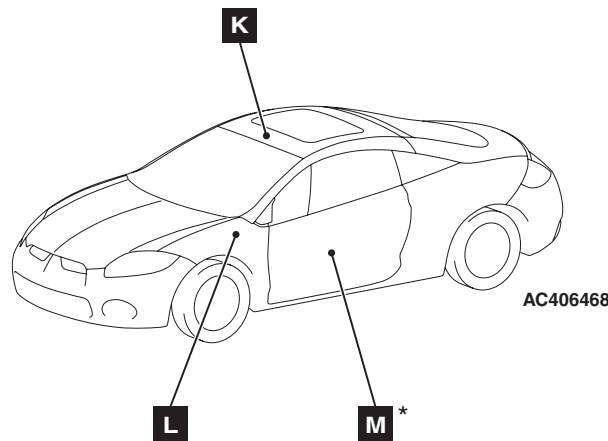
CONTROL UNIT

M1701000700542

| NAME | SYMBOL | NAME | SYMBOL |
|--|--------|--|--------|
| ABS-ECU or ABS/TCL-ECU | A | Heater control (incorporating A/C-ECU) | I |
| Column switch (incorporating column-ECU) | H | Multi-center display unit | F |
| Combination meter (incorporating CPU) | E | Occupant classification-ECU | L |
| Engine control module <M/T> | D | Power window motor (incorporating CPU) | M |
| ETACS-ECU | G | Powertrain control module <A/T> | D |
| Fan control module <3.8L Engine> | C | SRS-ECU | J |
| Front-ECU | B | Sunroof assembly (incorporating sunroof-ECU) | K |

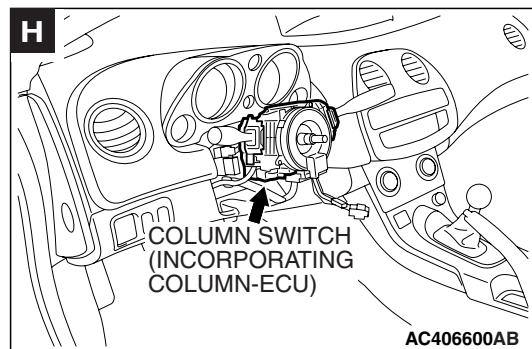
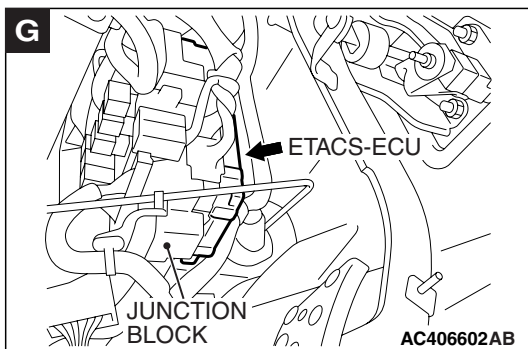
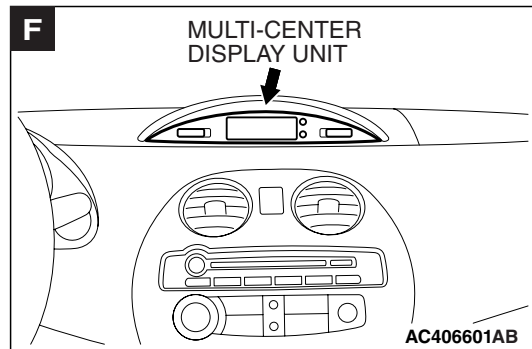
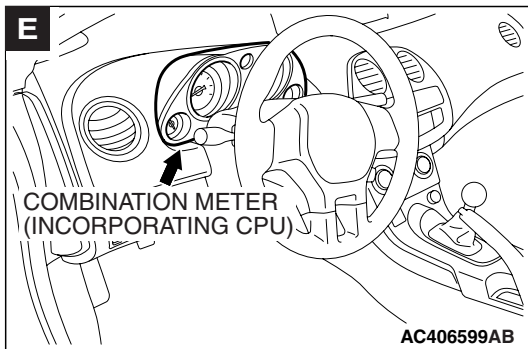
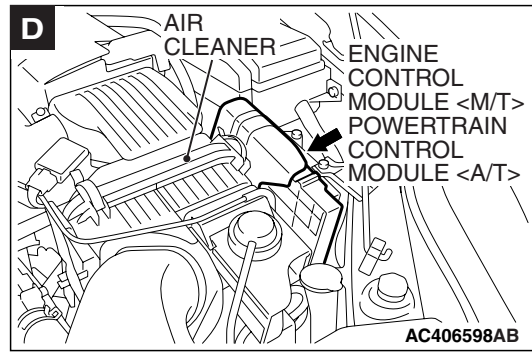
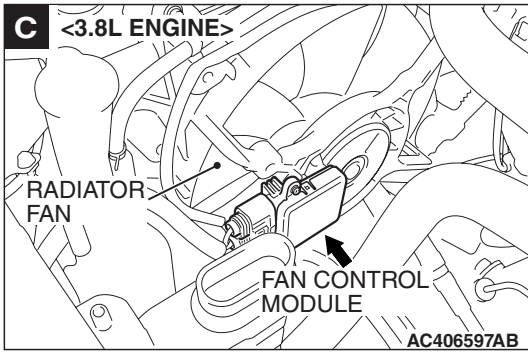
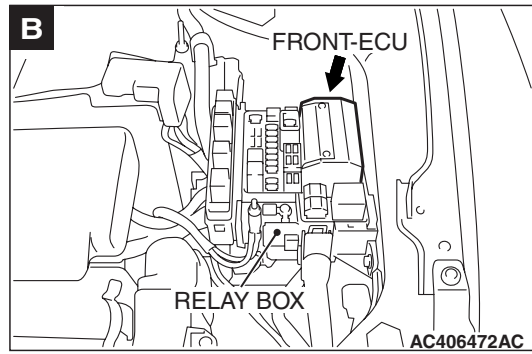
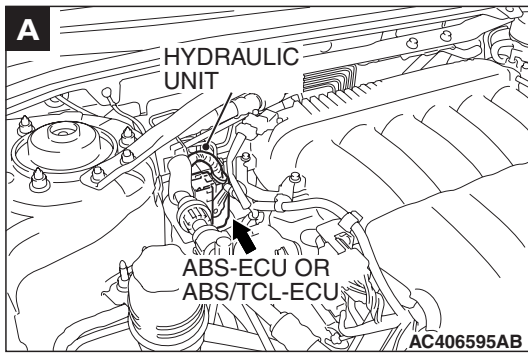


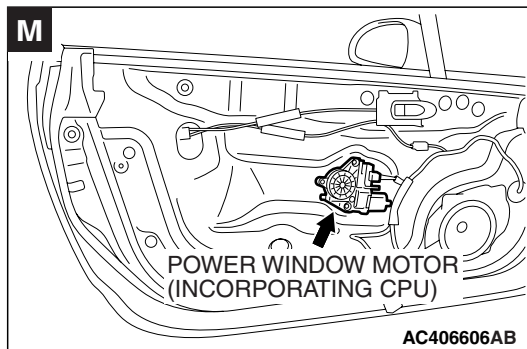
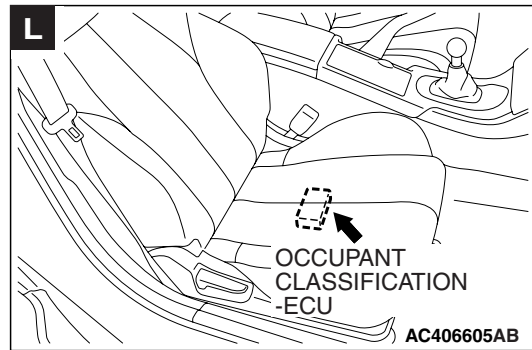
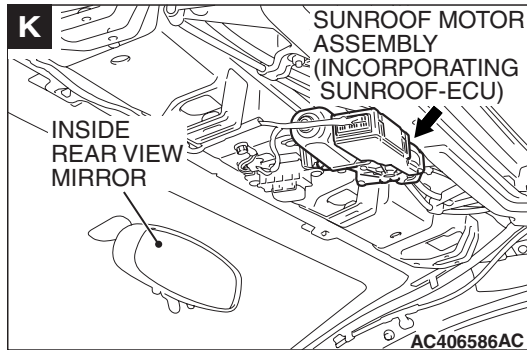
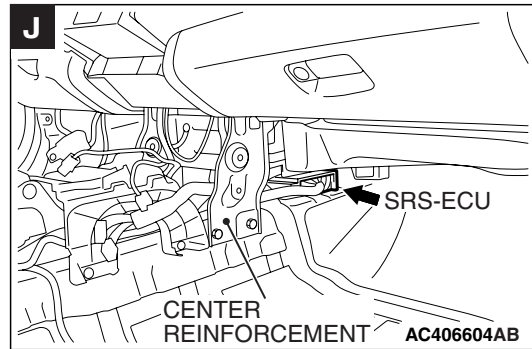
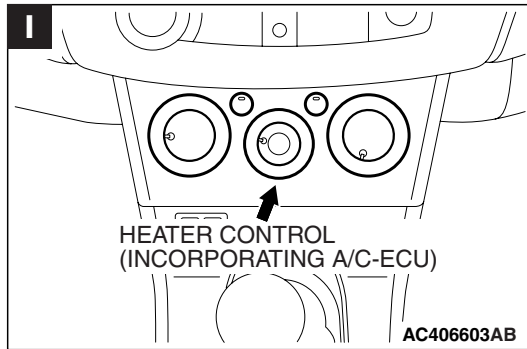
AC407214AD



AC407231AB

NOTE: The * symbols indicate equipped at both sides.



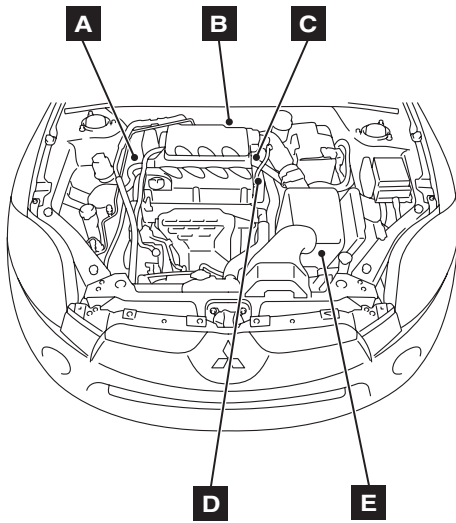


SOLENOID AND SOLENOID VALVE

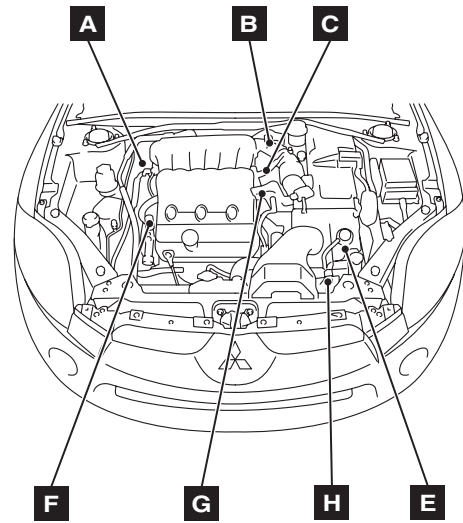
M1701000800710

| NAME | SYMBOL | NAME | SYMBOL |
|---|--------|--|--------|
| A/T control solenoid valve assembly | E | Hydraulic unit (incorporating ABS solenoid valve) | A |
| Engine oil control valve <2.4L Engine> | D | Left bank engine oil control valve <3.8L Engine> | F |
| Evaporative emission purge solenoid | B | Right bank engine oil control valve <3.8L Engine> | G |
| Evaporative emission ventilation solenoid | I | Variable intake air control solenoid valve <3.8L Engine> | H |
| Exhaust gas recirculation valve | C | | |

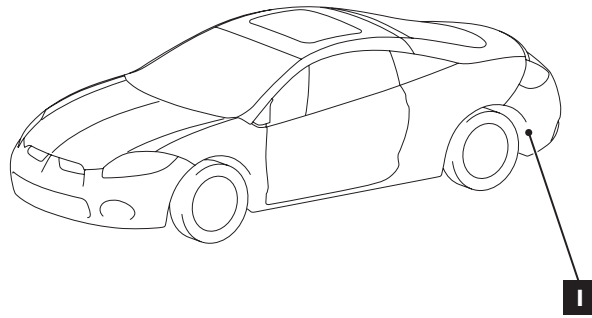
<2.4L ENGINE>



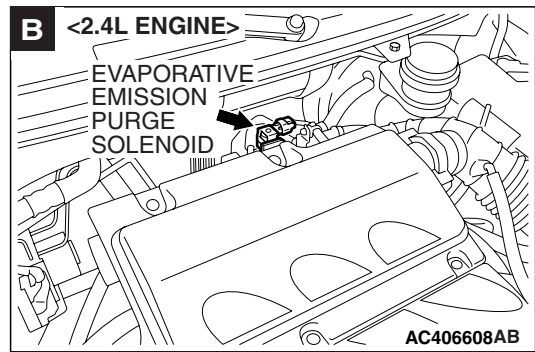
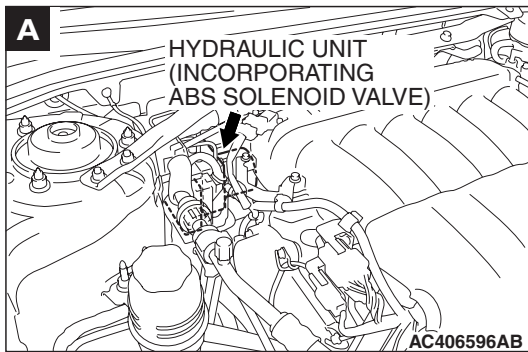
<3.8L ENGINE>

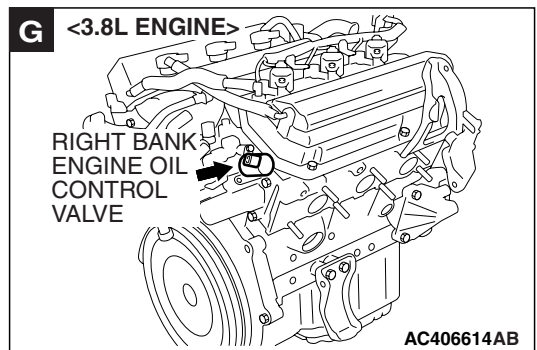
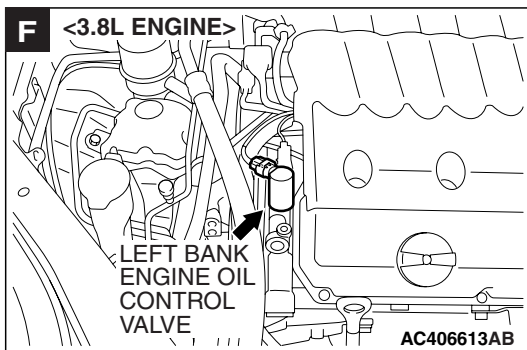
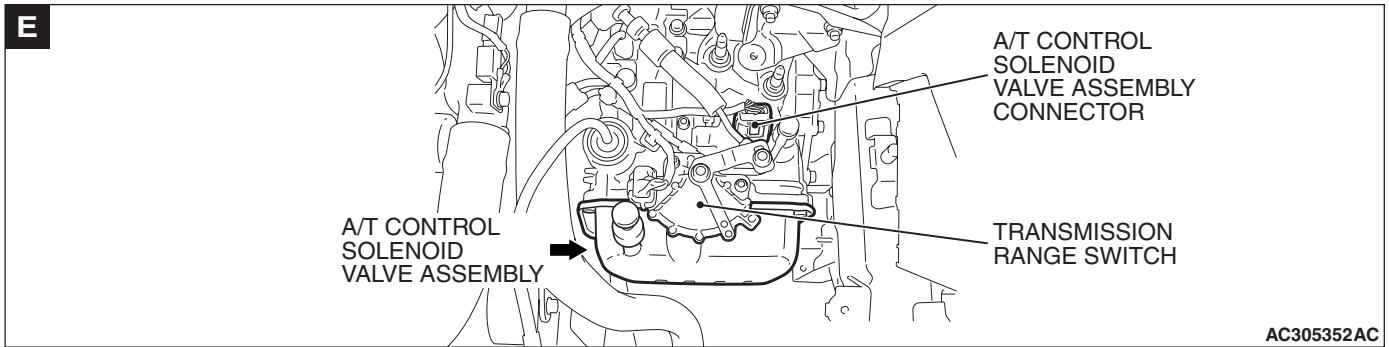
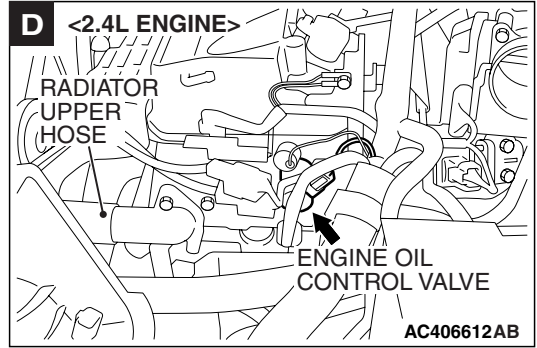
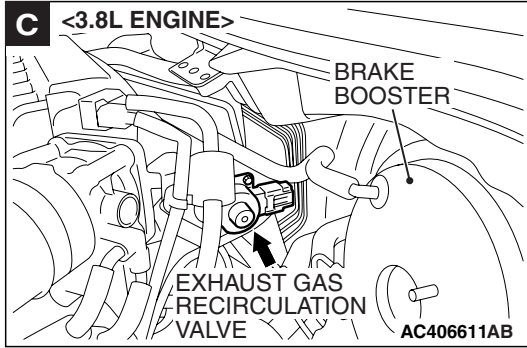
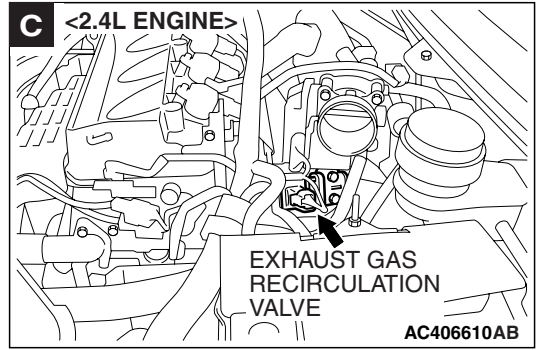
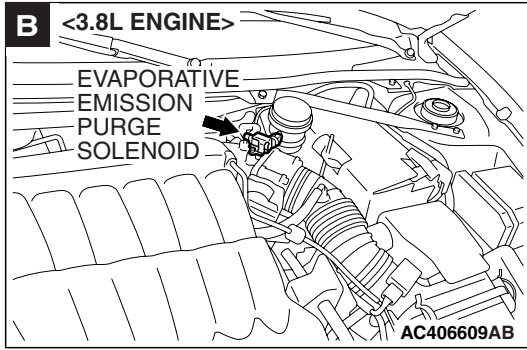


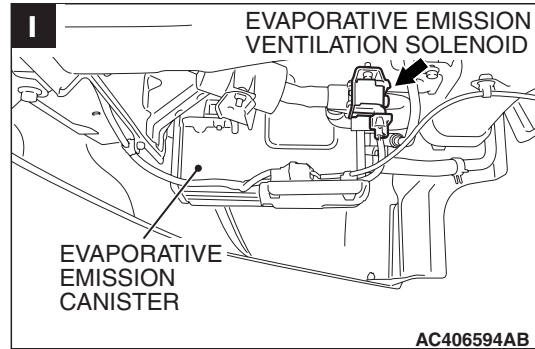
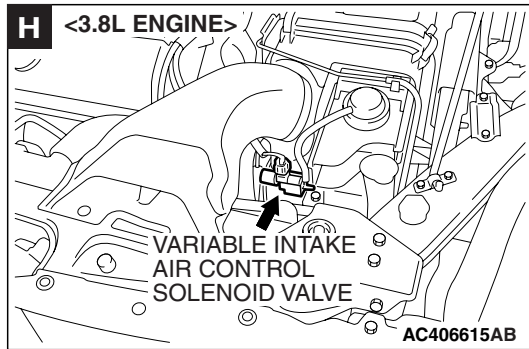
AC407219AD



AC407231AC



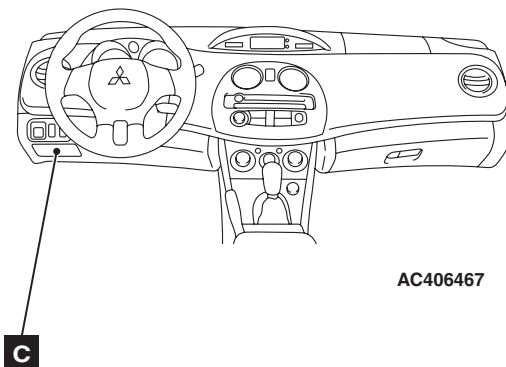
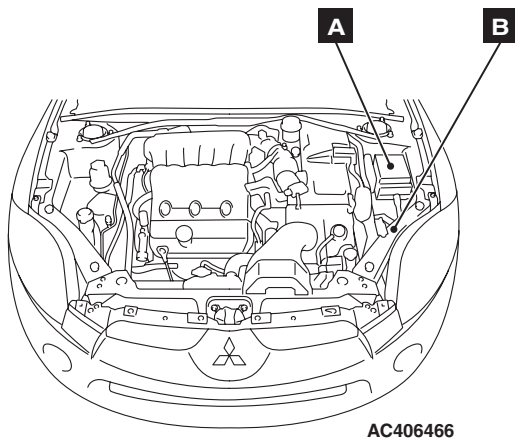




RELAY

M1701000400701

| NAME | SYMBOL | NAME | SYMBOL |
|-----------------------------------|--------|---------------------------------------|--------|
| A/C compressor clutch relay | A | Heated seat relay | C |
| A/T control relay | A | Horn relay | A |
| Accessory socket relay | C | MFI relay | A |
| Blower relay | C | Power window relay | C |
| Condenser fan relay <2.4L Engine> | B | Radiator fan relay <2.4L Engine> | B |
| Fan control relay | A | Rear window defogger relay | C |
| Front fog light relay | A | Starter relay <M/T> | A |
| Fuel pump relay (1) | C | Throttle actuator control motor relay | A |
| Fuel pump relay (2) | C | | |



AC407214AC

COMPONENT LOCATIONS
RELAY

