

## GROUP 23C

# AUTOMATIC TRANSAXLE OVERHAUL <F5A5A>

## CONTENTS

|  |               |   |               |
|--|---------------|---|---------------|
| <b>GENERAL DESCRIPTION</b> .....                   | <b>23C-2</b>  | <b>SECOND BRAKE</b> .....                       | <b>23C-67</b> |
| <b>SPECIAL TOOLS</b> .....                         | <b>23C-4</b>  | DISASSEMBLY AND ASSEMBLY .....                  | 23C-67        |
| <b>TRANSAXLE</b> .....                             | <b>23C-8</b>  | <b>DIRECT PLANETARY CAREER</b> ....             | <b>23C-68</b> |
| DISASSEMBLY AND ASSEMBLY .....                     | 23C-8         | DISASSEMBLY AND ASSEMBLY .....                  | 23C-68        |
| <b>OIL PUMP</b> .....                              | <b>23C-53</b> | <b>DIFFERENTIAL</b> .....                       | <b>23C-72</b> |
| DISASSEMBLY AND ASSEMBLY .....                     | 23C-53        | DISASSEMBLY AND ASSEMBLY .....                  | 23C-72        |
| <b>UNDERDRIVE CLUTCH AND INPUT<br/>SHAFT</b> ..... | <b>23C-54</b> | <b>VALVE BODY</b> .....                         | <b>23C-75</b> |
| DISASSEMBLY AND ASSEMBLY .....                     | 23C-54        | DISASSEMBLY AND ASSEMBLY .....                  | 23C-75        |
| <b>REVERSE AND OVERDRIVE<br/>CLUTCH</b> .....      | <b>23C-57</b> | <b>REDUCTION BRAKE PISTON</b> .....             | <b>23C-79</b> |
| DISASSEMBLY AND ASSEMBLY .....                     | 23C-57        | DISASSEMBLY AND ASSEMBLY .....                  | 23C-79        |
| <b>DIRECT CLUTCH</b> .....                         | <b>23C-61</b> | <b>DRIVE SHAFT OIL SEAL</b> .....               | <b>23C-80</b> |
| DISASSEMBLY AND ASSEMBLY .....                     | 23C-61        | DISASSEMBLY AND ASSEMBLY .....                  | 23C-80        |
| <b>PLANETARY GEAR</b> .....                        | <b>23C-64</b> | <b>SPECIFICATIONS</b> .....                     | <b>23C-82</b> |
| DISASSEMBLY AND ASSEMBLY .....                     | 23C-64        | FASTENER TIGHTENING<br>SPECIFICATIONS .....     | 23C-82        |
| <b>LOW-REVERSE BRAKE</b> .....                     | <b>23C-66</b> | GENERAL SPECIFICATIONS .....                    | 23C-82        |
| DISASSEMBLY AND ASSEMBLY .....                     | 23C-66        | SERVICE SPECIFICATIONS .....                    | 23C-83        |
|  |               | VALVE BODY SPRING IDENTIFICATION<br>TABLE ..... | 23C-83        |
|  |               | ADJUSTING PLATE, SNAP RING AND<br>SPACERS ..... | 23C-84        |
|  |               | SEALANTS .....                                  | 23C-86        |

## GENERAL DESCRIPTION

M1233000100588

This automatic transaxle is made up of the following main parts.

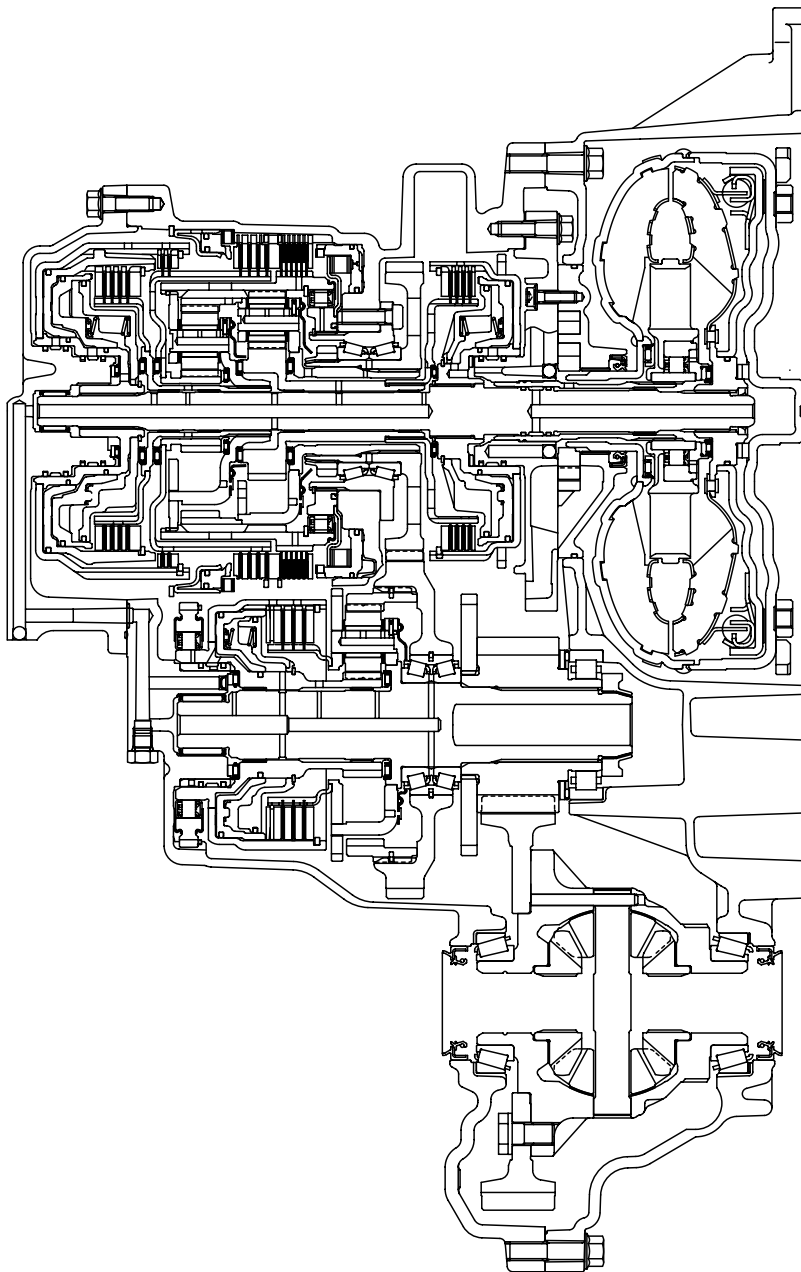
The torque converter employs a 3 element, 1 step, 2 phase lock-up clutch.

The gear train is made up of 4 multi-plate clutches, 2 multi-plate brakes, 2 planetary gears, band type brake and 2 one-way clutch made up of a sun gear, carrier, pinion gear and annulus gear.

The cases consist of a converter housing, transaxle case, rear cover and a valve body cover.

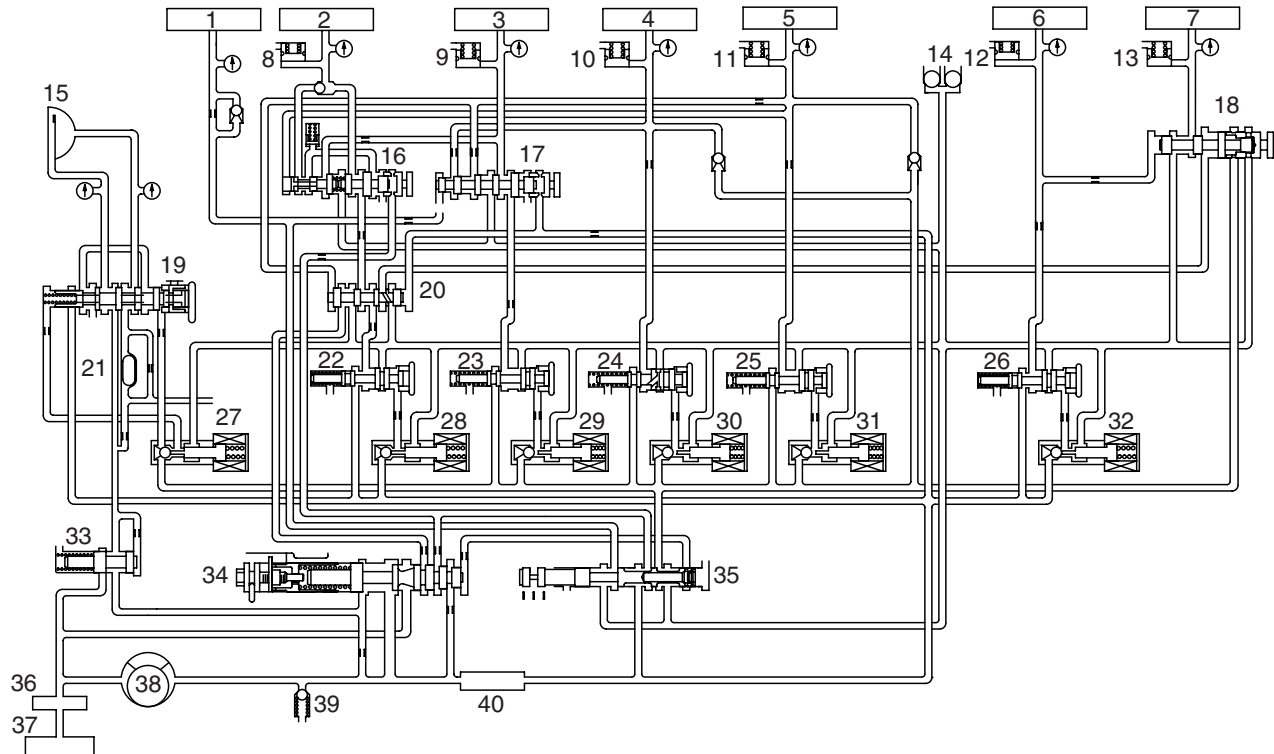
Parts related to oil pressure regulation are the oil pump, which pressurizes the oil; the regulator, which controls the pressure setting; the solenoid valves, which change the oil pressure with electrical signals; the pressure control valve, which controls the oil pressure coming from the solenoid valve that affects each clutch and brake; each kind OD valve, which carry out the retention of the oil pressure through the lines; and finally the valve body, which houses all the valves.

### SECTIONAL VIEW



AK403256

**HYDRAULIC CIRCUIT**

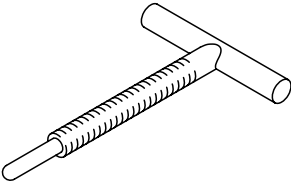
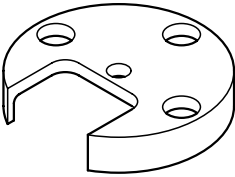
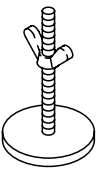
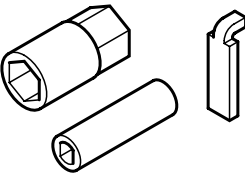
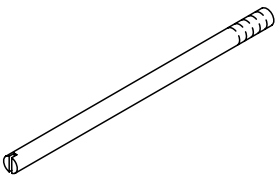
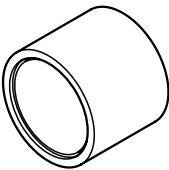
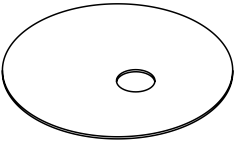


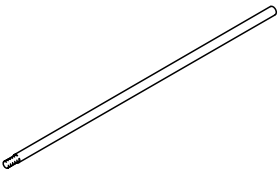
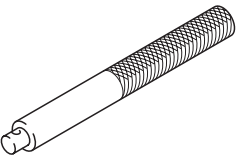
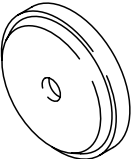
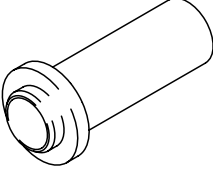
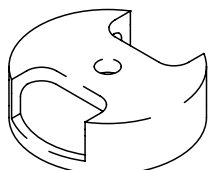
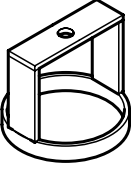
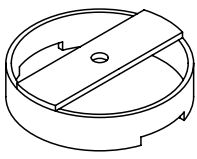
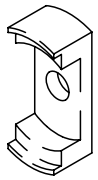
AK403608AB

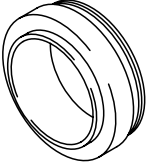
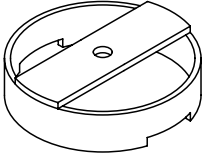
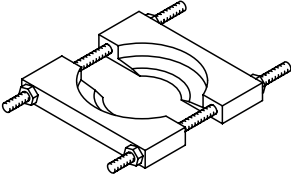
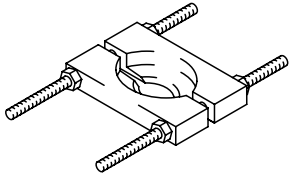
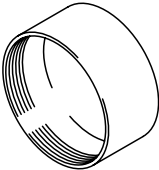
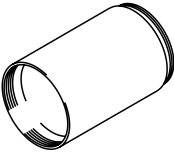
- |  |   |
|--|---|
| <ol style="list-style-type: none"> <li>1. REVERSE CLUTCH</li> <li>2. LOW-REVERSE BRAKE</li> <li>3. SECOND BRAKE</li> <li>4. UNDERDRIVE CLUTCH</li> <li>5. OVERDRIVE CLUTCH</li> <li>6. REDUCTION CLUTCH</li> <li>7. DIRECT CLUTCH</li> <li>8. LOW-REVERSE ACCUMULATOR</li> <li>9. SECOND ACCUMULATOR</li> <li>10. UNDERDRIVE ACCUMULATOR</li> <li>11. OVERDRIVE ACCUMULATOR</li> <li>12. REDUCTION ACCUMULATOR</li> <li>13. DIRECT CLUTCH</li> <li>14. CHECK BALL</li> <li>15. TORQUE CONVERTER CLUTCH</li> <li>16. FAIL-SAFE VALVE A</li> <li>17. FAIL-SAFE VALVE B</li> <li>18. FAIL-SAFE VALVE C</li> <li>19. TORQUE CONVERTER CLUTCH CONTROL VALVE</li> <li>20. SWITCHING VALVE</li> <li>21. COOLER</li> </ol> | <ol style="list-style-type: none"> <li>22. LOW-REVERSE PRESSURE CONTROL VALVE</li> <li>23. SECOND PRESSURE CONTROL VALVE</li> <li>24. UNDERDRIVE PRESSURE CONTROL VALVE</li> <li>25. OVERDRIVE PRESSURE CONTROL VALVE</li> <li>26. REDUCTION PRESSURE CONTROL VALVE</li> <li>27. TORQUE CONVERTER CLUTCH CONTROL SOLENOID VALVE</li> <li>28. LOW-REVERSE SOLENOID VALVE</li> <li>29. SECOND SOLENOID VALVE</li> <li>30. UNDERDRIVE SOLENOID VALVE</li> <li>31. OVERDRIVE SOLENOID VALVE</li> <li>32. REDUCTION SOLENOID VALVE</li> <li>33. TORQUE CONVERTER PRESSURE CONTROL VALVE</li> <li>34. REGULATOR VALVE</li> <li>35. MANUAL VALVE</li> <li>36. OIL FILTER</li> <li>37. OIL PAN</li> <li>38. OIL PUMP</li> <li>39. RELIEF VALVE</li> <li>40. OIL STRAINER</li> </ol> |
|--|---|

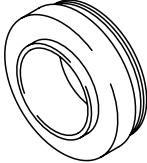
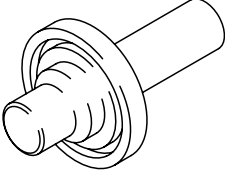
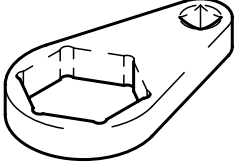
## SPECIAL TOOLS

M1233000600505

| TOOL  | TOOL NUMBER AND NAME                           | SUPERSESION | APPLICATION   |
|---|--|-------------|---|
|    | MD998333<br>Oil pump remover                   | MD998333-01 | Removal of oil pump   |
|    | MD999577<br>Spring compressor                  | MD999577    | Removal and installation of one-way clutch inner race snap ring           |
|    | MD998924<br>Spring compressor retainer         | MD998924-01 | Use with spring compressor  |
|   | MB991633<br>Reduction brake set                | MB991633-01 | Adjustment of reduction brake piston                                      |
|  | MD998412<br>Guide                              | MD998412    | Installation of transfer drive gear and oil pump                          |
|  | MB991445<br>Bushing remover and installer base | -           | Installation of differential taper roller bearing outer race              |
|  | MB991632<br>Clearance dummy plate              | MB991632-01 | Measurement of reaction plate low-reverse brake and second brake end play |

| TOOL  | TOOL NUMBER AND NAME             | SUPERSESION                            | APPLICATION  |
|---|----------------------------------|--|--|
|    | MD998913<br>Dial gauge extension | MD998913-01                            | Measurement of low-reverse brake end play  |
|    | MB990938<br>Handle               | MB990938-01                            | <ul style="list-style-type: none"> <li>• Installation of input shaft rear bearing</li> <li>• Use with installer adapter</li> </ul> |
|    | MB990936<br>Installer adapter    | MB990936-01 or<br>General service tool | Installation of differential taper roller bearing outer race   |
|   | MD998334<br>Oil seal installer   | MD998334-01                            | Installation of oil pump oil seal  |
|  | MD998907<br>Spring compressor    | MD998907-01                            | Removal and installation of underdrive clutch snap ring  |
|  | MB991630<br>Spring compressor    | MB991630-01                            | Measurement of underdrive clutch and overdrive clutch end play   |
|  | MB991629<br>Spring compressor    | MB991629-01                            | Measurement of underdrive clutch and overdrive clutch end play   |
|  | MD999590<br>Spring compressor    | MIT305039                              | Removal and installation of overdrive clutch snap ring   |

| TOOL  | TOOL NUMBER AND NAME               | SUPERSESION                         | APPLICATION  |
|---|------------------------------------|-------------------------------------|--|
|    | MD998824<br>Installer adapter (50) | MD998824-01                         | Installation of direct clutch snap ring and transfer driven gear |
|    | MB991789<br>Spring compressor      | MB991789-01                         | Measurement of reverse clutch end play                           |
|    | MD998917<br>Bearing remover        | General service tool or MD998348-01 | Removal of transfer driven gear, output gear and parking gear    |
|   | MD998801<br>Bearing remover        | General service tool or MD998348-01 | Removal of each bearing  |
|  | MD998812<br>Installer cap          | General service tool                | Use with installer and installer adapter                         |
|  | MD998813<br>Installer 100          | General service tool                | Use with installer cap and installer adapter                     |

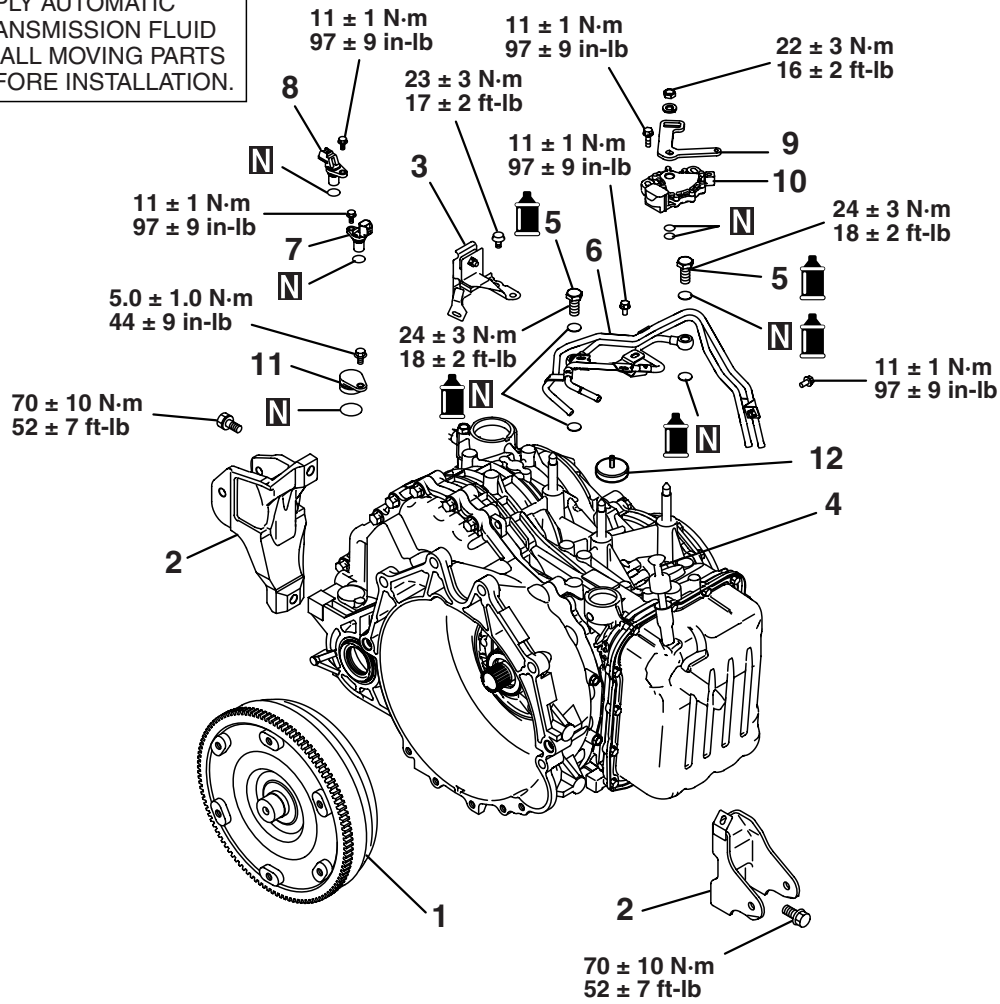
| TOOL  | TOOL NUMBER AND NAME               | SUPERSESION          | APPLICATION   |
|---|------------------------------------|----------------------|---|
|  | MD998820<br>Installer adapter (42) | MD998820-01          | Installation of differential taper roller bearing             |
|  | MD998800<br>Oil seal installer     | General service tool | Installation of drive shaft oil seal                          |
|  | MD998834<br>Special spanner        | -                    | Removal and installation of direct planetary carrier lock nut |

# TRANSAXLE

## DISASSEMBLY AND ASSEMBLY

M1233001000603

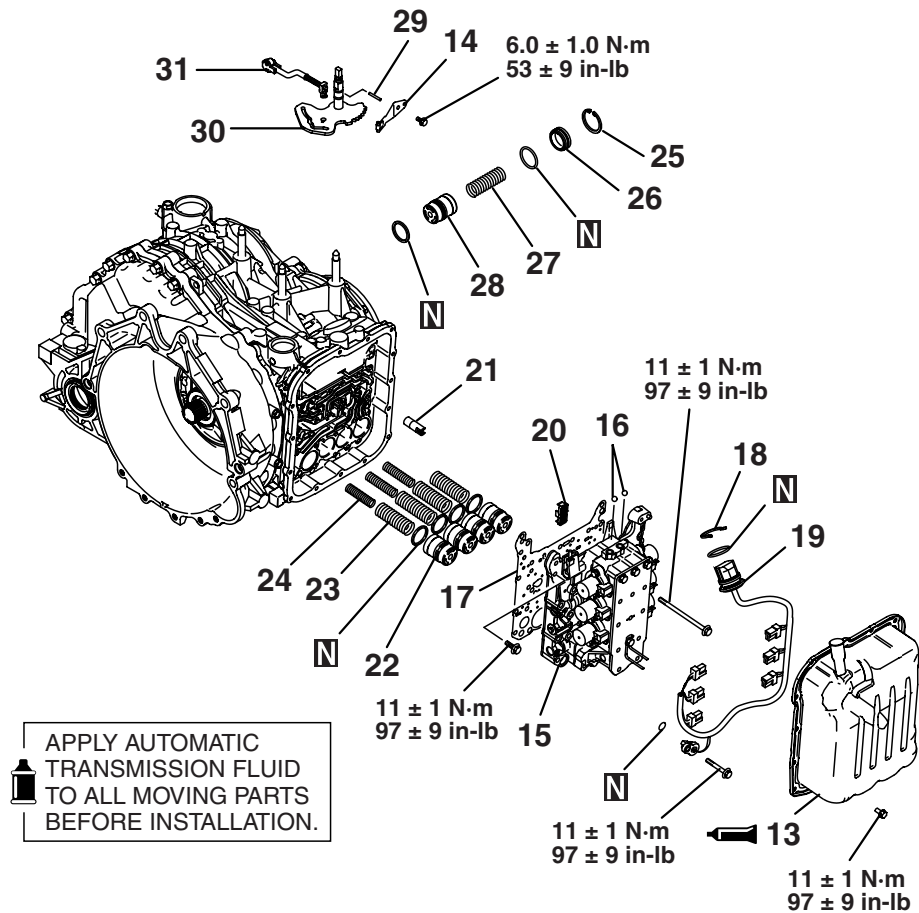
APPLY AUTOMATIC TRANSMISSION FLUID TO ALL MOVING PARTS BEFORE INSTALLATION.



- |                                  |                                  |
|----------------------------------|----------------------------------|
| 1. TORQUE CONVERTER              | 7. INPUT SHAFT SPEED SENSOR      |
| 2. ROLL STOPPER BRACKET          | 8. OUTPUT SHAFT SPEED SENSOR     |
| 3. CONTROL CABLE SUPPORT BRACKET | 9. MANUAL CONTROL LEVER          |
| 4. OIL DIPSTICK                  | 10. PARK/NEUTRAL POSITION SWITCH |
| 5. EYE BOLT                      | 11. SEALING CAP                  |
| 6. OIL COOLER FEED TUBE          | 12. AIR BREATHER                 |

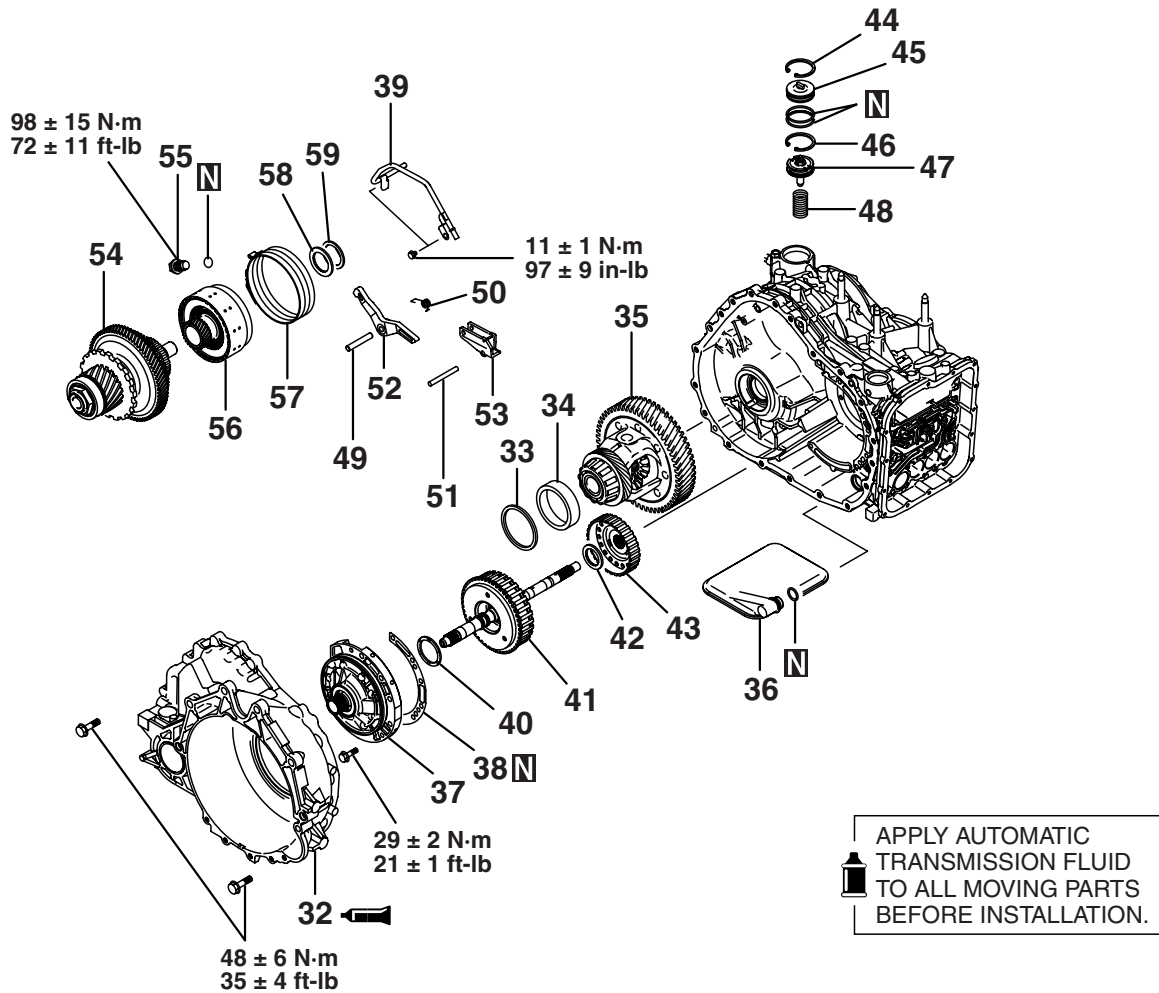
AK403263AB





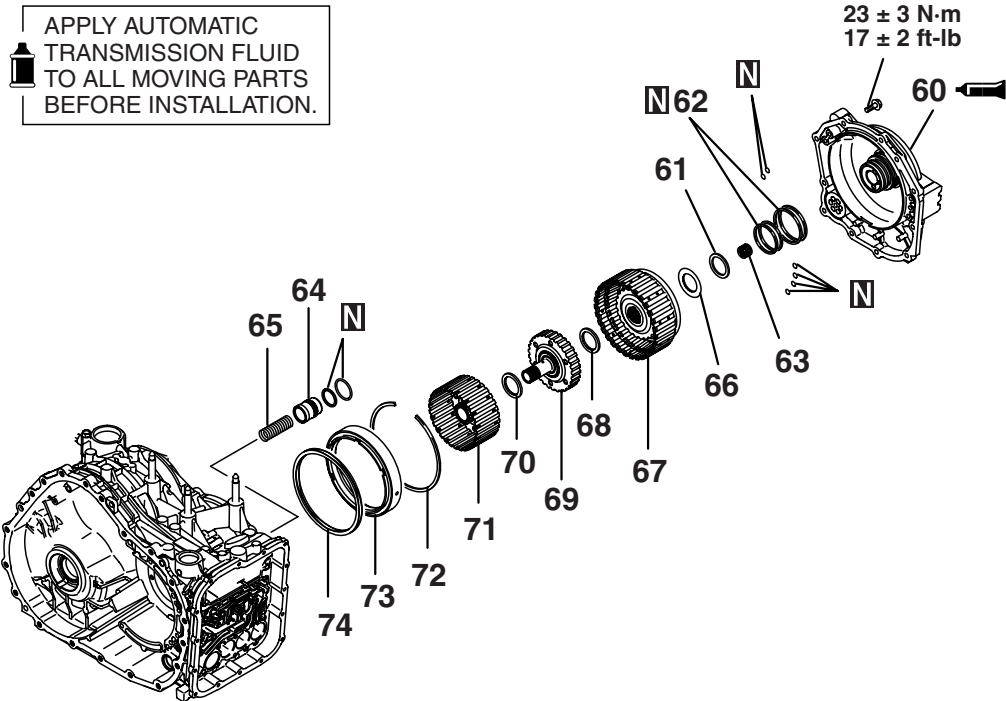
AK403264AB

- |  |   |
|--|---|
| <ul style="list-style-type: none"> <li>13. VALVE BODY COVER</li> <li>14. MANUAL CONTROL SHAFT DETENT</li> <li>15. VALVE BODY</li> <li>16. STEEL BALL</li> <li>17. GASKET</li> <li>18. SNAP RING</li> <li>19. SOLENOID VALVE HARNESS</li> <li>20. STRAINER</li> <li>21. SOLENOID BRAKE RETAINER OIL SEAL</li> <li>22. ACCUMULATOR PISTON</li> </ul> | <ul style="list-style-type: none"> <li>23. ACCUMULATOR SPRING</li> <li>24. ACCUMULATOR SPRING</li> <li>25. SNAP RING</li> <li>26. ACCUMULATOR COVER</li> <li>27. ACCUMULATOR SPRING</li> <li>28. ACCUMULATOR PISTON</li> <li>29. MANUAL CONTROL LEVER SHAFT ROLLER</li> <li>30. MANUAL CONTROL LEVER SHAFT</li> <li>31. PARKING PAWL ROD</li> </ul> |
|--|---|



AK403288AB

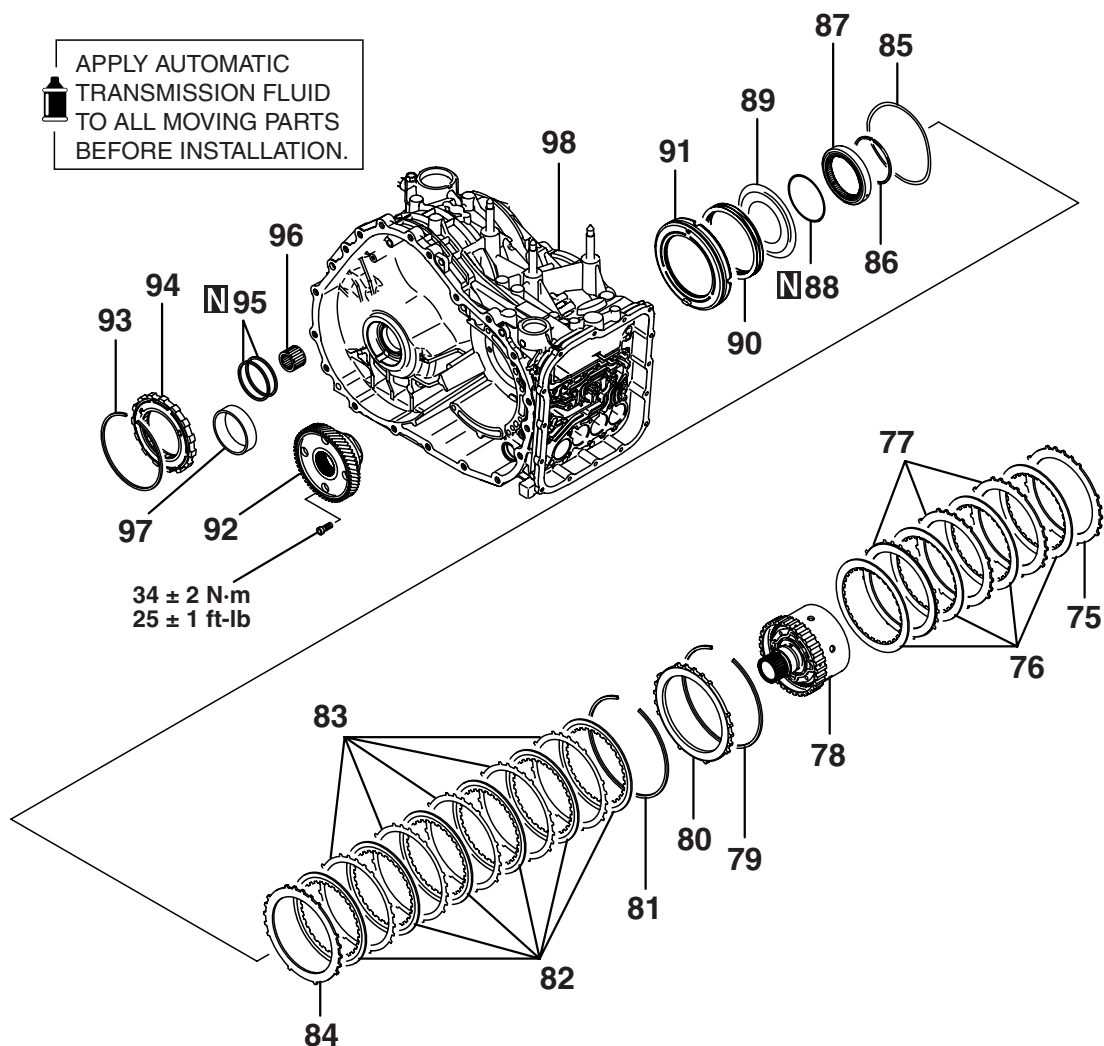
- |                                       |                                       |
|---------------------------------------|---------------------------------------|
| 32. TORQUE CONVERTER HOUSING          | 47. REDUCTION BRAKE PISTON            |
| 33. SPACER                            | 48. REDUCTION BRAKE SPRING            |
| 34. OUTER RACE                        | 49. PARKING PAWL SHAFT                |
| 35. DIFFERENTIAL                      | 50. PARKING PAWL SPRING               |
| 36. OIL FILTER                        | 51. PARKING ROLLER SUPPORT SHAFT      |
| 37. OIL PUMP                          | 52. PARKING PAWL                      |
| 38. GASKET                            | 53. PARKING ROLLER SUPPORT            |
| 39. PIPE                              | 54. DIRECT PLANETARY CARRIER ASSEMBLY |
| 40. THRUST WASHER NO. 1               | 55. ANCHOR PLUG                       |
| 41. UNDERDRIVE CLUTCH AND INPUT SHAFT | 56. DIRECT CLUTCH                     |
| 42. THRUST BEARING NO.2               | 57. REDUCTION BRAKE BAND              |
| 43. UNDERDRIVE CLUTCH HUB             | 58. THRUST BEARING NO.11              |
| 44. SNAP RING                         | 59. THRUST RACE NO.12                 |
| 45. REDUCTION BRAKE PISTON COVER      |                                       |
| 46. SNAP RING                         |                                       |



- 60. REAR COVER
- 61. THRUST RACE NO.8
- 62. SEAL RING
- 63. INPUT SHAFT REAR BEARING
- 64. ACCUMULATOR PISTON
- 65. ACCUMULATOR SPRING
- 66. THRUST BEARING NO.7
- 67. REVERSE AND OVERDRIVE CLUTCH

- 68. THRUST BEARING NO.6
- 69. OVERDRIVE CLUTCH HUB
- 70. THRUST BEARING NO.5
- 71. PLANETARY REVERSE SUN GEAR
- 72. SNAP RING
- 73. SECOND BRAKE PISTON
- 74. RETURN SPRING

AK403289AB



AK403290AB

- |                                |                               |
|--------------------------------|-------------------------------|
| 75. PRESSURE PLATE             | 87. ONE-WAY CLUTCH INNER RACE |
| 76. SECOND BRAKE DISC          | 88. O-RING                    |
| 77. SECOND BRAKE PLATE         | 89. SPRING RETURN             |
| 78. PLANETARY CARRIER ASSEMBLY | 90. RETURN SPRING             |
| 79. SNAP RING                  | 91. LOW-REVERSE BRAKE PISTON  |
| 80. REACTION PLATE             | 92. TRANSFER DRIVE GEAR       |
| 81. SNAP RING                  | 93. SNAP RING                 |
| 82. LOW-REVERSE BRAKE DISK     | 94. ONE-WAY CLUTCH            |
| 83. LOW-REVERSE BRAKE PLATE    | 95. SEAL RING                 |
| 84. PRESSURE PLATE             | 96. NEEDLE BEARING            |
| 85. WAVE SPRING                | 97. OUTER RACE                |
| 86. SNAP RING                  | 98. TRANSAXLE CASE            |

**Required Special Tools:**

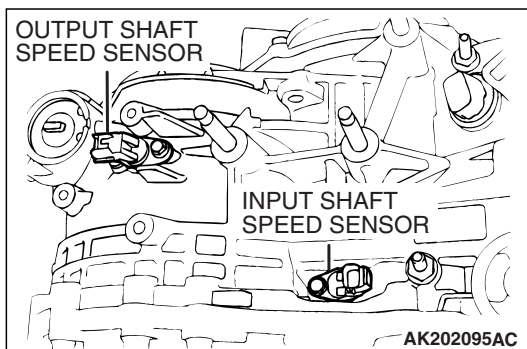
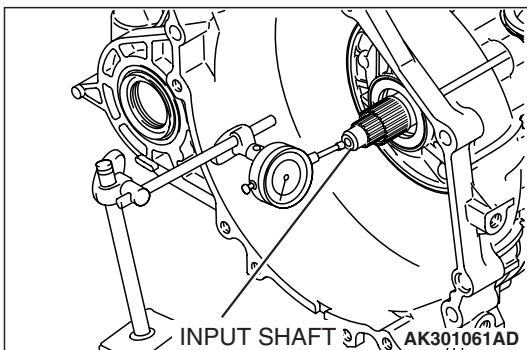
- MB990936: Installer Adapter
- MB990938: Handle
- MB991445: Bushing remover and installer base
- MB991632: Clearance Dummy Plate
- MB991633: Reduction brake wrench set
- MD998333: Oil Pump Remover
- MD998412: Guide
- MD999577: Spring Compressor
- MD998913: Dial Gauge Extension
- MD998924: Spring Compressor Retainer

## DISASSEMBLY

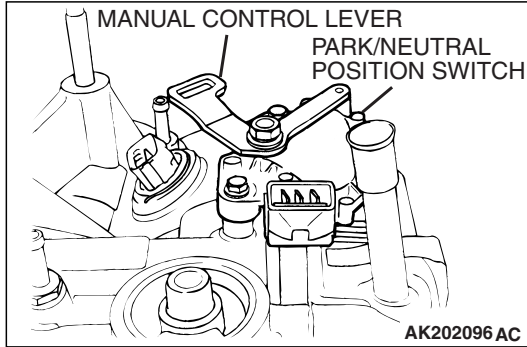
### ⚠ CAUTION

- Because the automatic transaxle is manufactured from high-precision parts, care must be taken not to scratch or damage these parts during disassembly and assembly.
- The working area should be covered with a rubber mat to keep it clean at all times.
- Do not wear any cloth gloves and do not use any shop towels during disassembly. Use only nylon cloth, paper towels or any other lint-free material.
- Parts which have been disassembled should all be cleaned. Metal parts can be cleaned with normal detergent, but they should be dried completely using compressed air.
- Clutch discs, plastic thrust plates and rubber parts should be cleaned with automatic transmission fluid (ATF).
- If the transaxle body has been damaged, disassemble and clean the cooler system.

1. Remove the torque converter.
2. Use a dial gauge to measure the input shaft end play.
3. Remove control cable support bracket.
4. Remove the dipstick.
5. Remove the eye bolt, gaskets and the oil cooler feed tube.

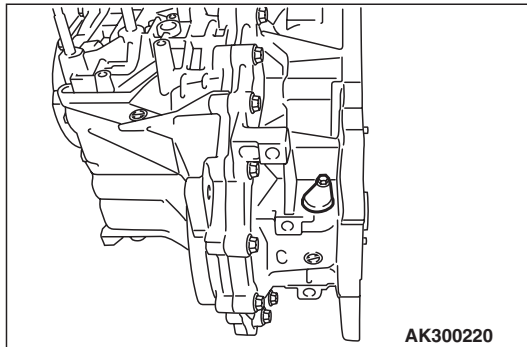


6. Remove the input shaft speed sensor and output shaft speed sensor.

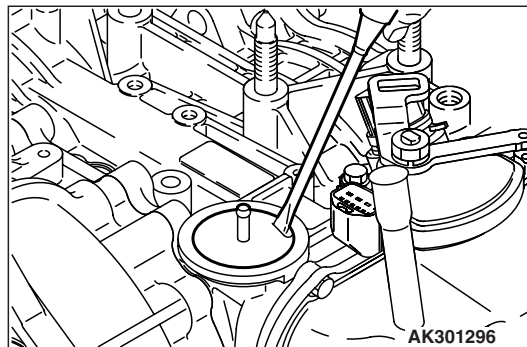
**⚠ CAUTION**

The manual control lever tightening nut must be removed before removing the valve body. If the valve body is removed before the nut, the park/neutral position switch will be damaged.

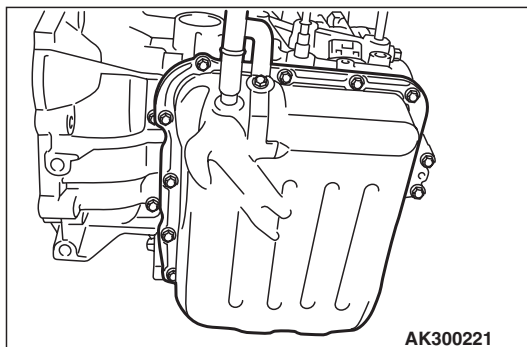
7. Loosen the manual control lever tightening nut, and then remove the manual control lever and the park/neutral position switch.



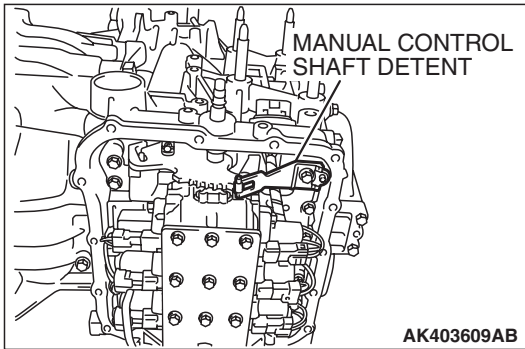
8. Remove the sealing cap and O-ring.



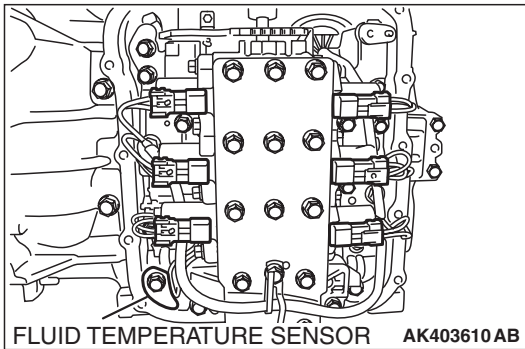
9. Remove the air breather by inserting a screwdriver into the air breather and prying it up.



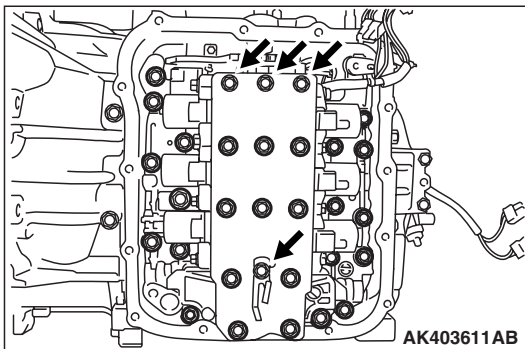
10. Remove the valve body cover.



11. Remove the manual control shaft detent.



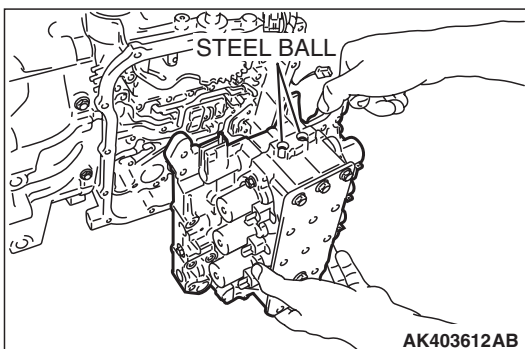
12. Disconnect the solenoid valve harness from the valve body by disconnecting the fluid temperature sensor and all the connectors.



**⚠ CAUTION**

- Make sure that the manual control lever and the park/neutral position switch are removed. See step 7.
- Do not remove the bolts (four pieces) shown in the illustration.

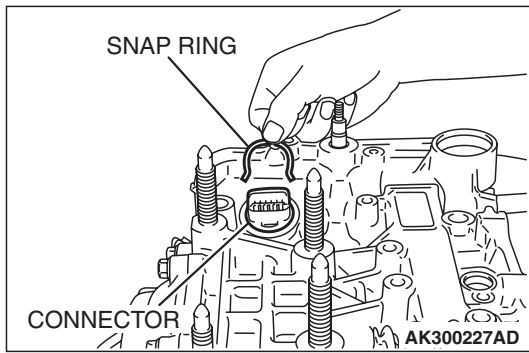
13. Remove the valve body mounting bolts (twenty seven pieces).



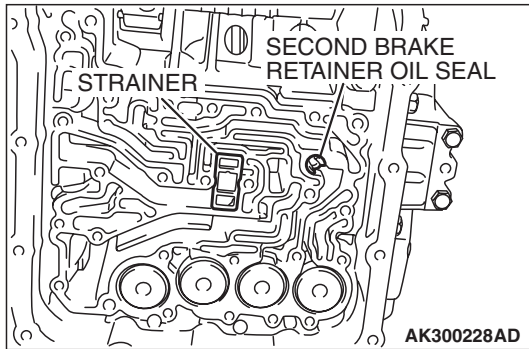
**⚠ CAUTION**

**Do not lose the two steel balls.**

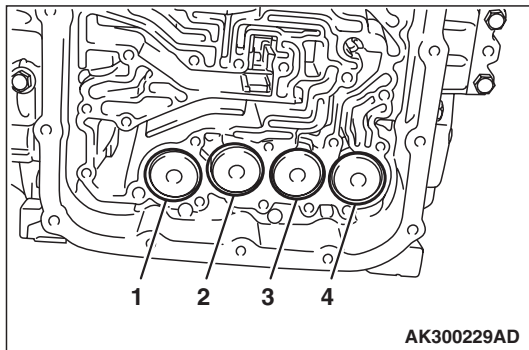
14. Remove the valve body, gasket and the steel balls (two pieces).



15. Remove the snap ring from the connector. Push the connector into the transaxle case and remove the solenoid valve harness.

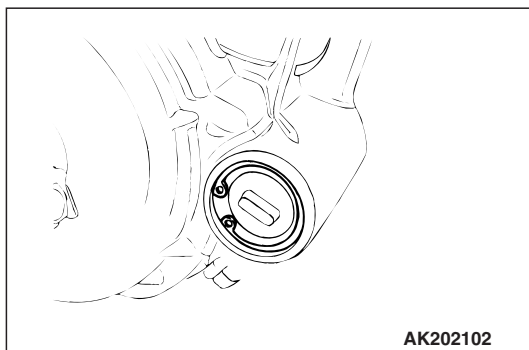


16. Remove the strainer and the second brake retainer oil seal.



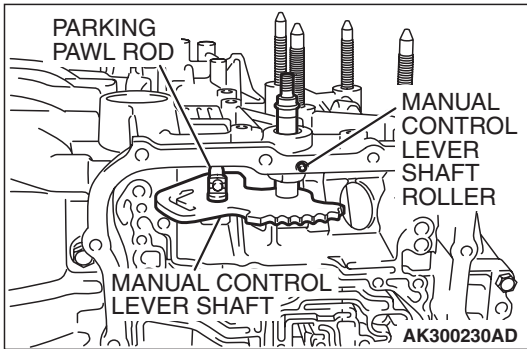
17. Remove each accumulator piston and spring.

| NUMBER | NAME                  |
|--------|-----------------------|
| 1      | For low-reverse brake |
| 2      | For underdrive clutch |
| 3      | For second brake      |
| 4      | For overdrive clutch  |

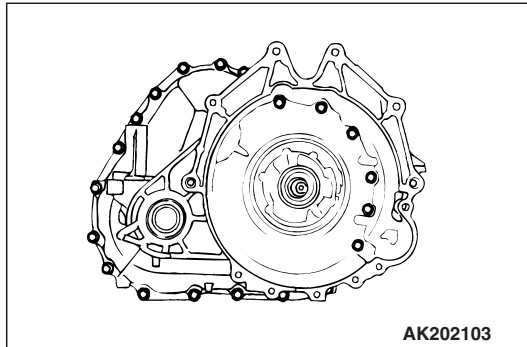


18. Remove the reduction brake accumulator cover after removing the snap ring, then remove the spring and piston.

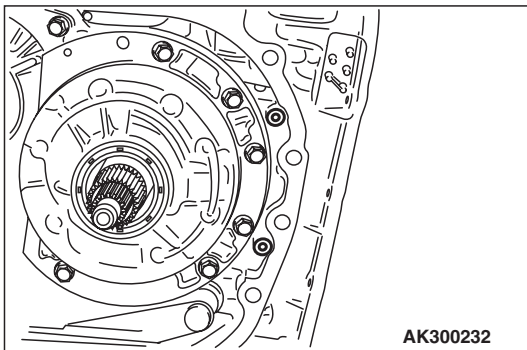




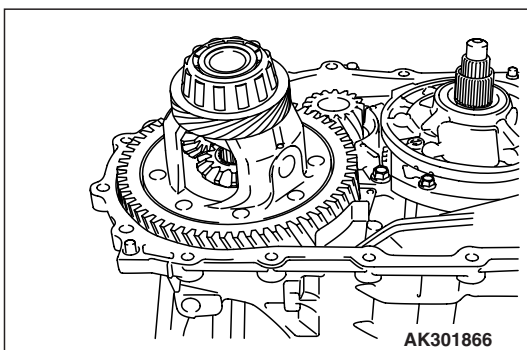
- 19. Remove the manual control lever shaft roller.
- 20. Remove the manual control lever shaft and the parking pawl rod.



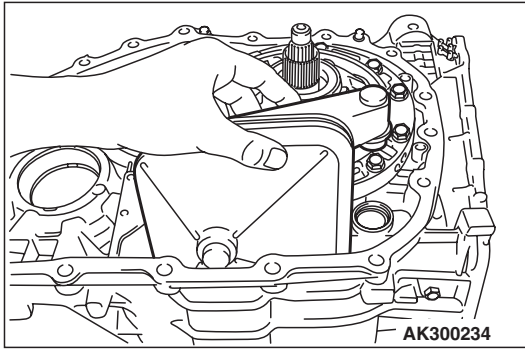
- 21. Remove the torque converter housing mounting bolts (twenty pieces), and then remove the torque converter housing.



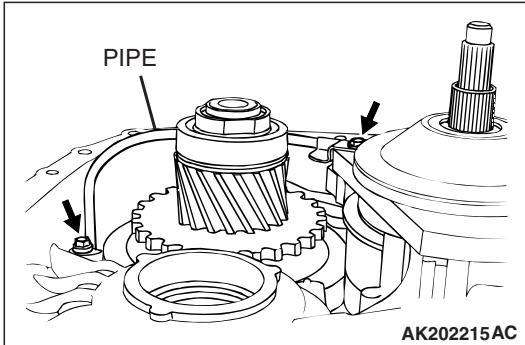
- 22. Remove the O-rings (two pieces).
- 23. Remove the differential bearing outer race and spacer from the converter housing.



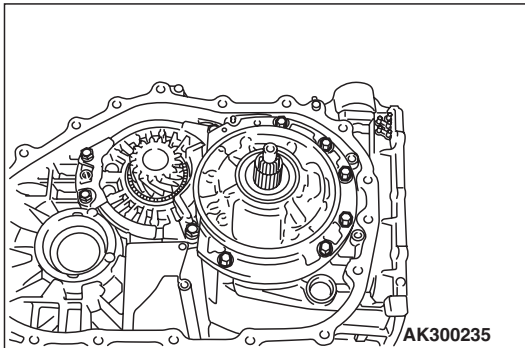
- 24. Remove the differential.



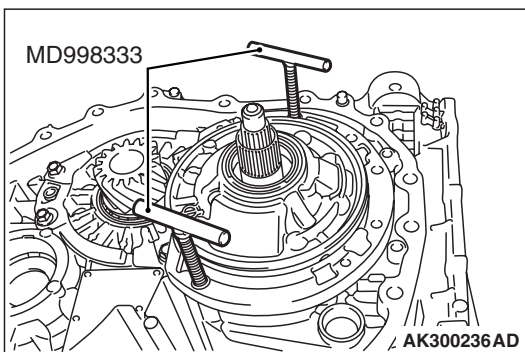
25. Remove the oil filter.



26. Remove the pipe clamp bolts (two places).



27. Remove the oil pump mounting bolts (six pieces).

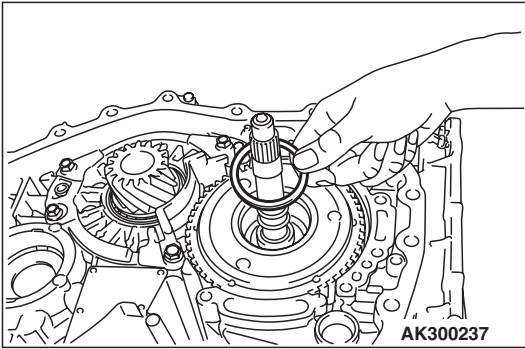


28. Place special tool MD998333 as shown in the drawing.

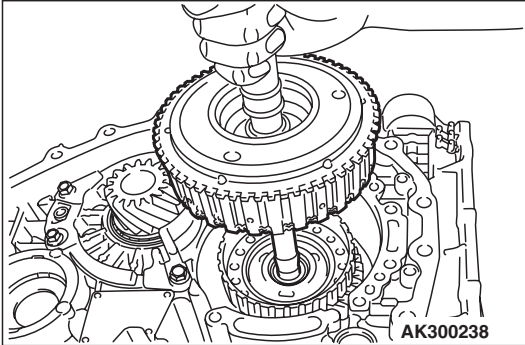
29. Turn special tool MD998333 to remove the oil pump.

30. Remove the oil pump gasket.

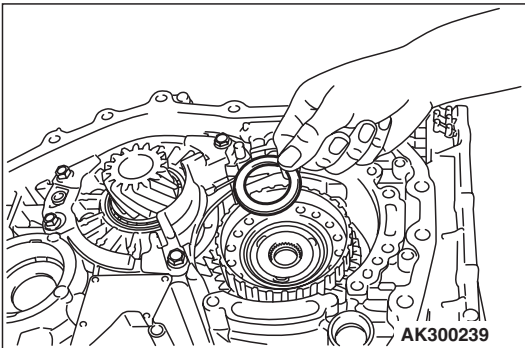
31.Remove thrust washer number 1.



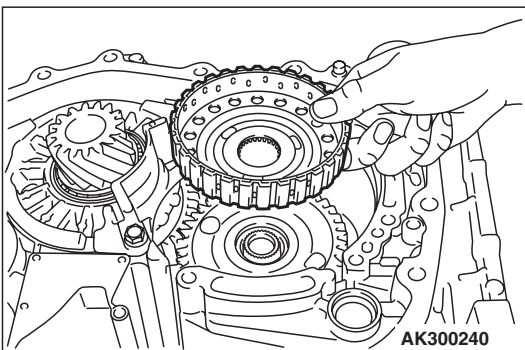
32.Holding the input shaft, remove the underdrive clutch and input shaft.

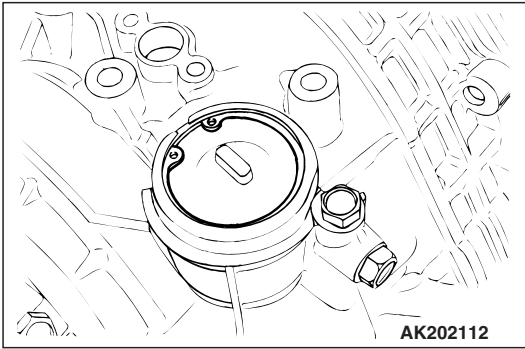


33.Remove thrust bearing number 2.



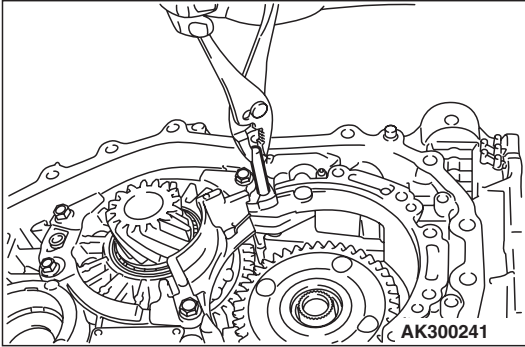
34.Remove the underdrive clutch hub.



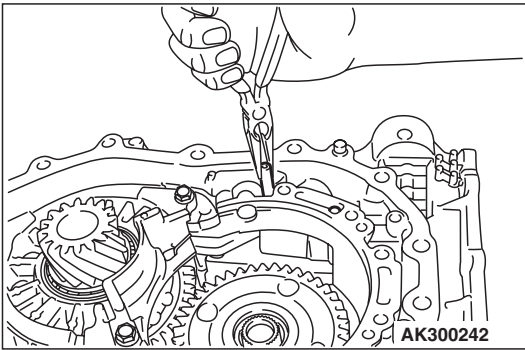


35. Remove the reduction brake piston cover after removing the snap ring.

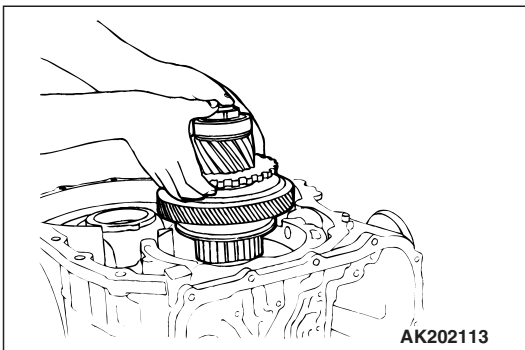
36. Remove the reduction brake piston and spring after removing the snap ring.



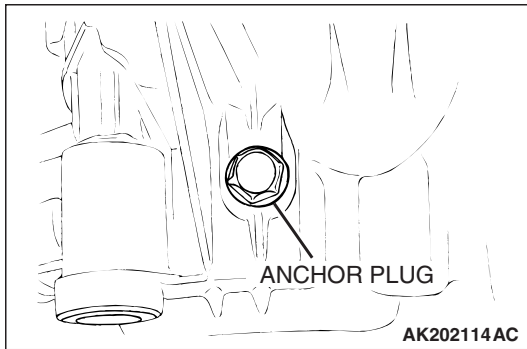
37. Remove the parking pawl shaft, and then remove the spacer and spring.



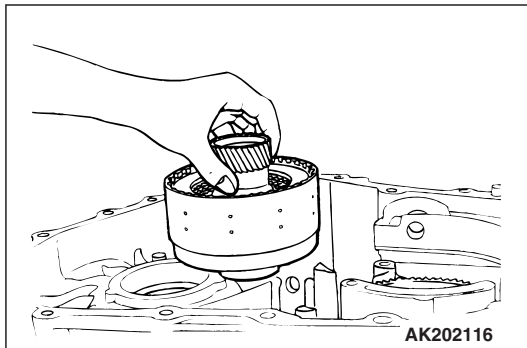
38. Remove the parking roller support shafts (two pieces), and then remove the parking pawl and parking roller support.



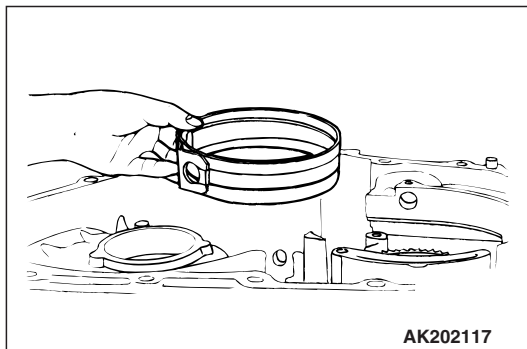
39. Remove the direct planetary carrier assembly.



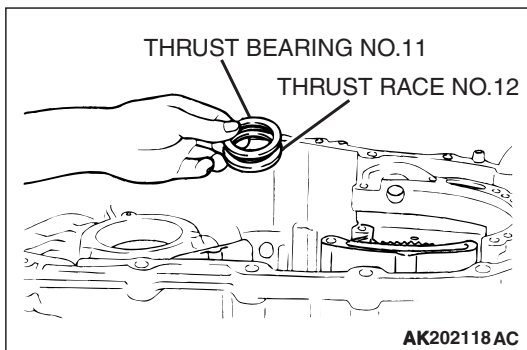
40. Remove the anchor plug and O-ring.



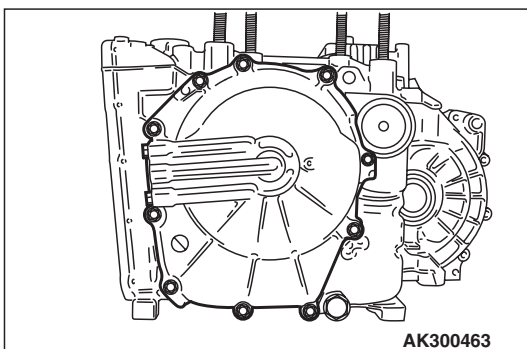
41. Remove the direct clutch.



42. Remove the reduction brake band.



43. Remove the thrust bearing number 11 and thrust race number 12.

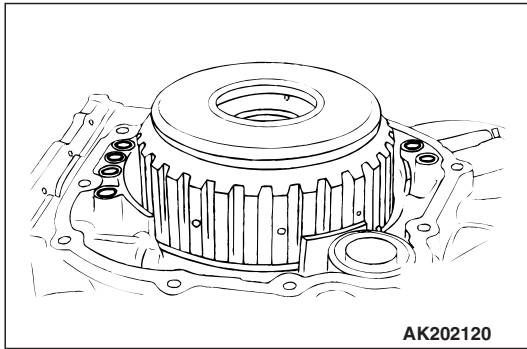


44. Remove the rear cover.

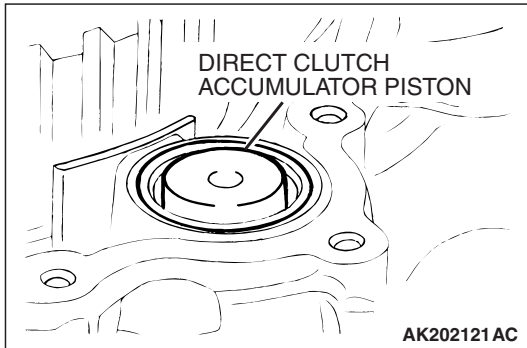
45. Remove the thrust race number 8.

46. Remove the seal rings (four pieces).

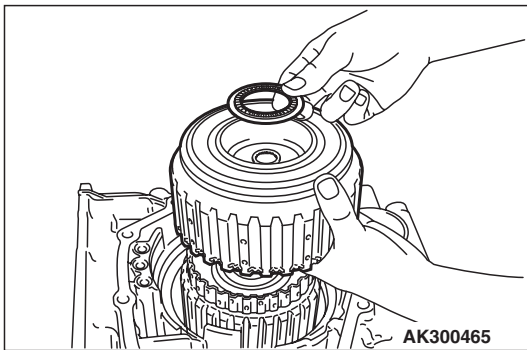
47. Remove the input shaft rear bearing.



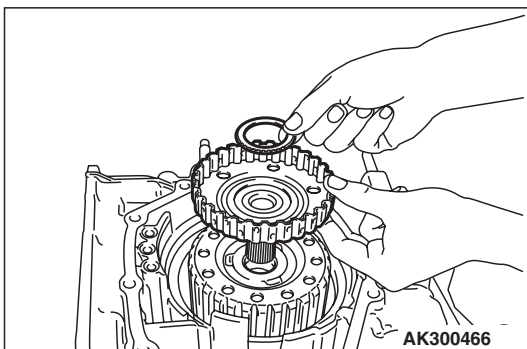
48.Remove the O-rings (six pieces).



49.Remove the direct clutch accumulator piston and spring after removing the O-ring.

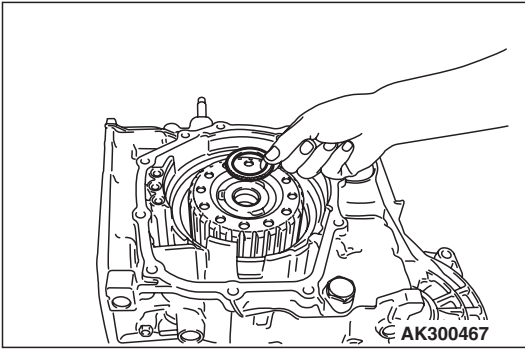


50.Remove the reverse and overdrive clutch and thrust bearing number 7.

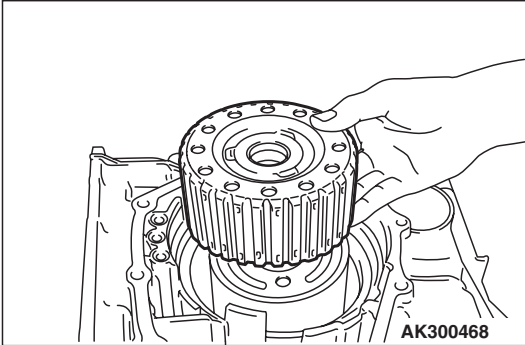


51.Remove overdrive clutch hub and thrust bearing number 6.

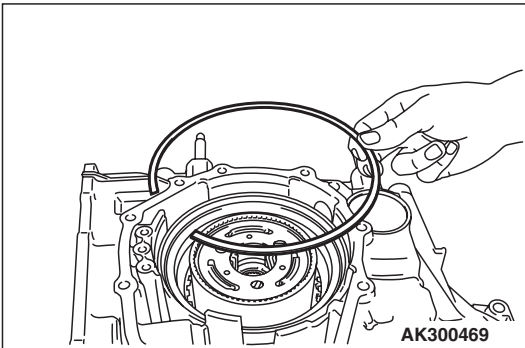
52. Remove thrust bearing number 5.



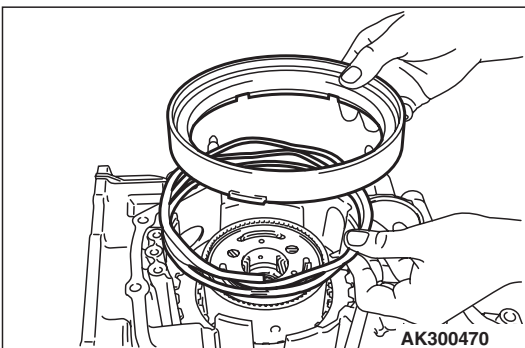
53. Remove the planetary reverse sun gear.

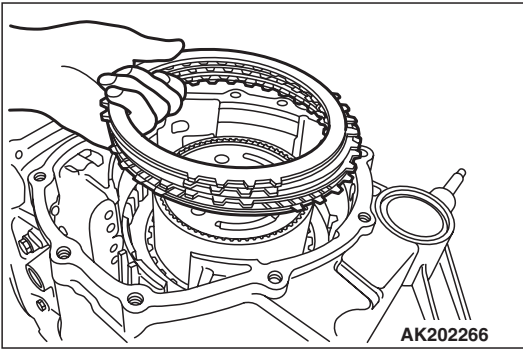


54. Remove the snap ring.

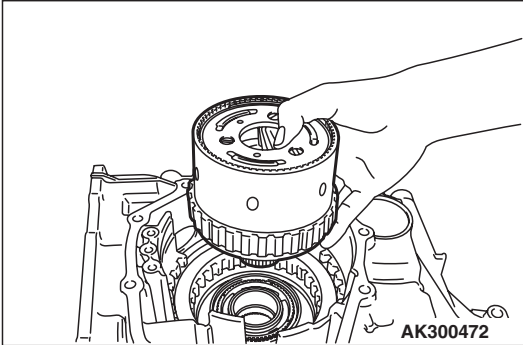


55. Remove the second brake piston and the return spring.

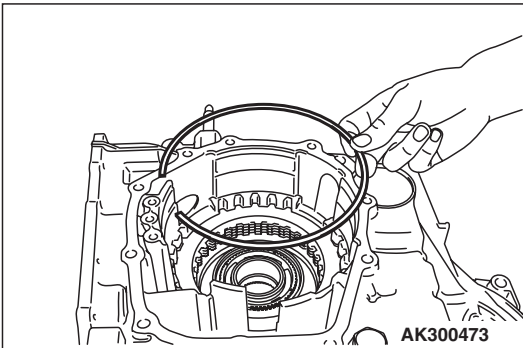




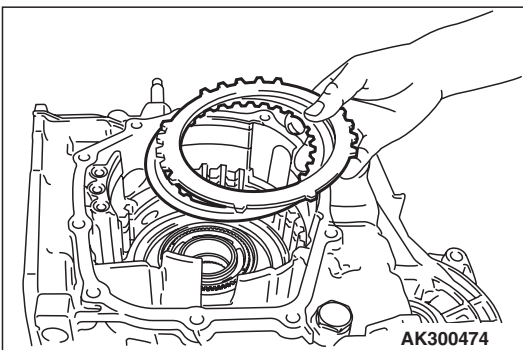
56. Remove the pressure plate, second brake discs (four pieces) and second brake plates (three pieces).



57. Remove the planetary carrier assembly.

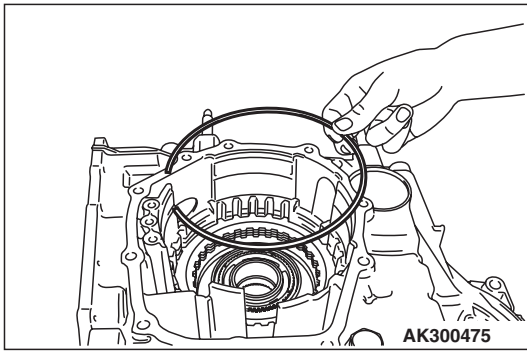


58. Remove the snap ring.

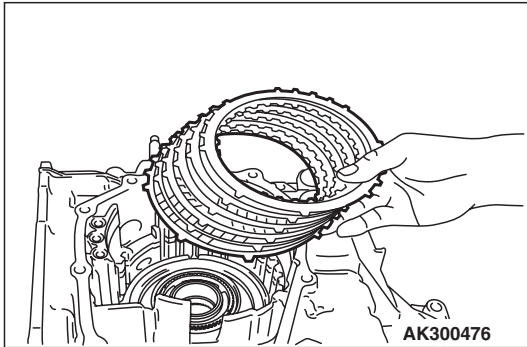


59. Remove the reaction plate and the brake disc.



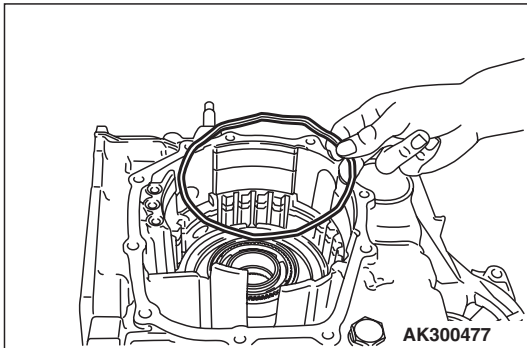


60. Remove the snap ring.

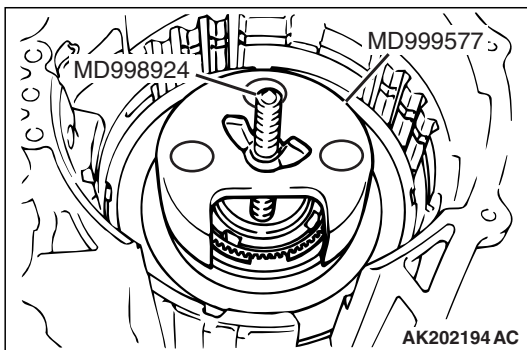


61. Remove the brake plates (five pieces), brake discs (six pieces) and pressure plate.

*NOTE: \*Includes the brake discs removed in step 57.*

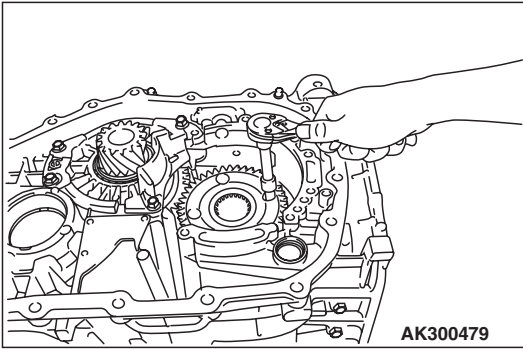


62. Remove the wave spring.



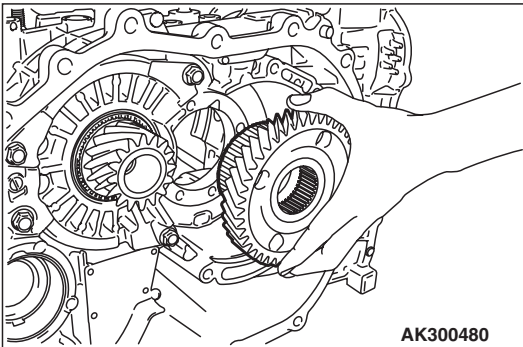
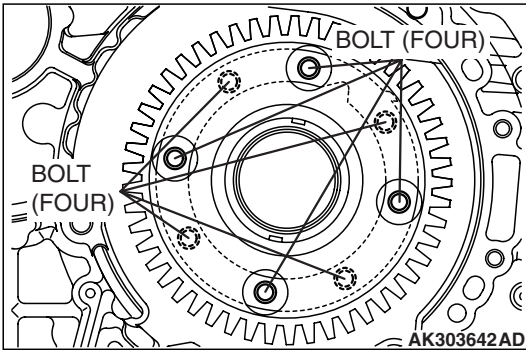
63. Remove the one-way clutch inner race and low-reverse brake piston as follows:

- (1) Using special tools MD999577 and MD998924, compress the one-way clutch inner race.
- (2) Remove the snap ring.
- (3) Remove the special tools.
- (4) Remove the one-way clutch inner race, O-ring, spring retainer, return spring and low-reverse brake piston.

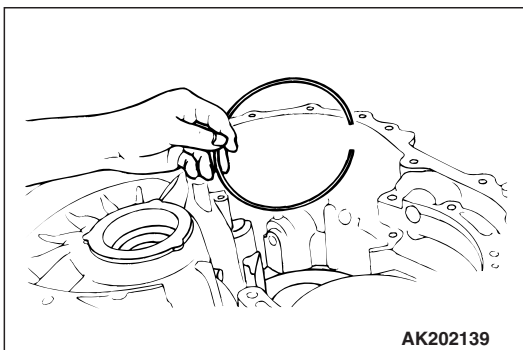


64. Remove the transfer drive gear bearing mounting bolts (four pieces).

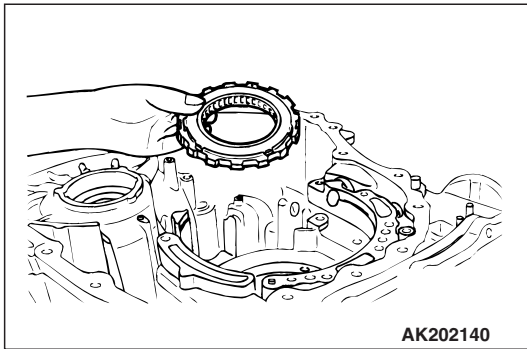
Then, turn the gear 1/8 turn (45 degrees) and remove the remaining bolts (four pieces).



65. Remove the transfer drive gear.



66. Remove the snap ring.

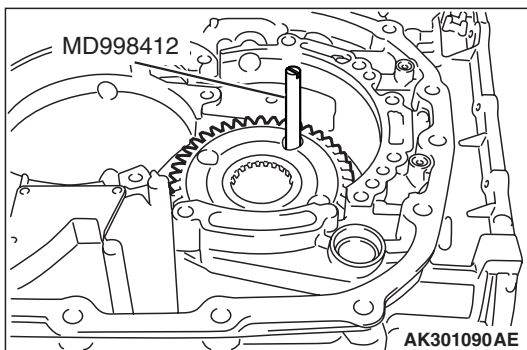


67. Remove the one-way clutch.
68. Remove the seal rings (two pieces).
69. Remove the needle bearing.
70. Remove the differential bearing outer race from the transaxle case.

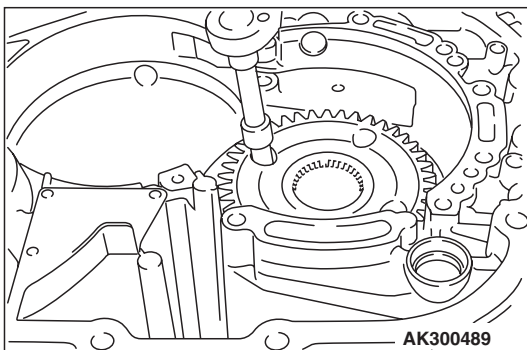
## ASSEMBLY

### ⚠ CAUTION

- Do not reuse the gasket, O-ring, oil seal. Always replace with a new one when assembling.
- Do not use grease. Use petroleum jelly (i.e. Vaseline).
- Apply ATF to friction components, rotating parts, and sliding parts before installation. Immerse new clutch discs or brake discs in ATF for at least two hours before assembling them.
- When replacing a bushing, replace the assembly which it belongs to.
- Do not use cloth gloves or shop towels during assembly. Use nylon cloth or other lint-free material.



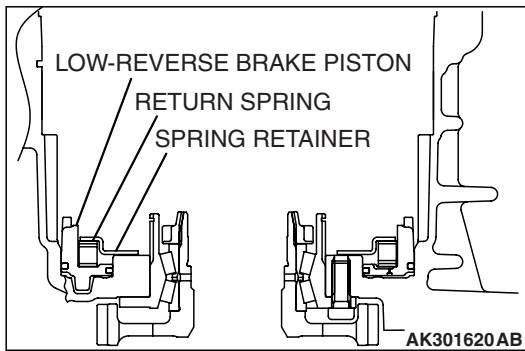
1. Install special tool MD998412 in the installation screw hole of the transfer drive gear bearing located in the transaxle case. Using this as a guide, install the transfer drive gear bearing and gear in the transaxle case.



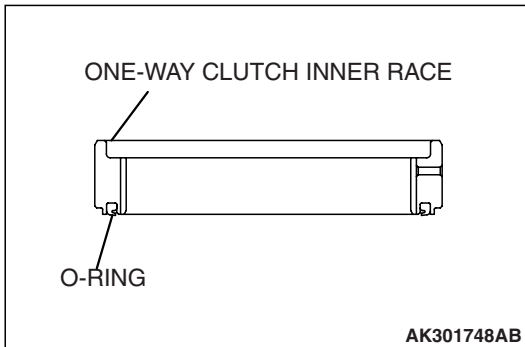
2. Tighten the mounting bolts (eight pieces) of the transfer drive gear bearing to the specified torque.

### Tightening torque:

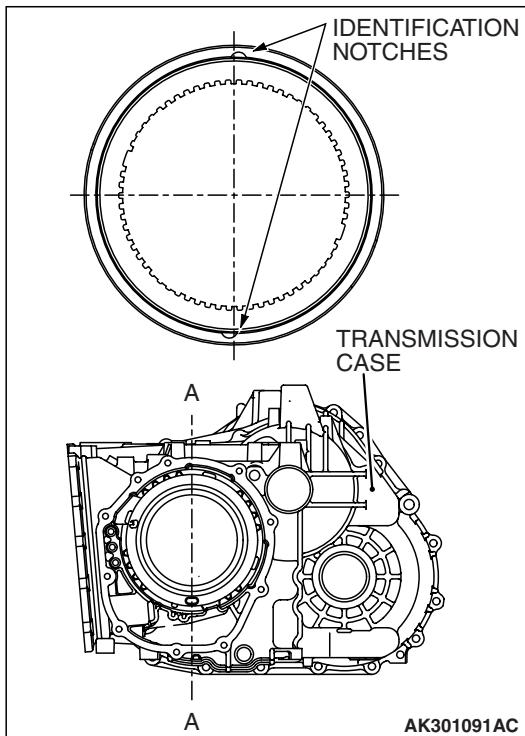
**34 ± 2 N·m (25 ± 1 ft-lb)**



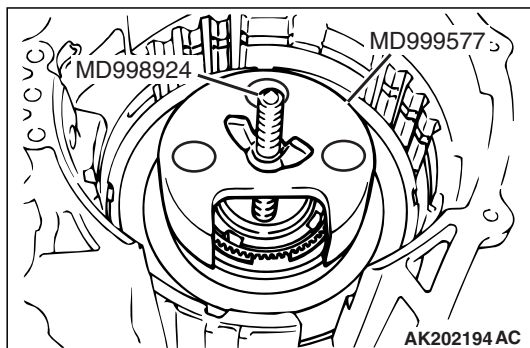
3. Install the low-reverse brake piston, return spring, and spring retainer into the transaxle case.



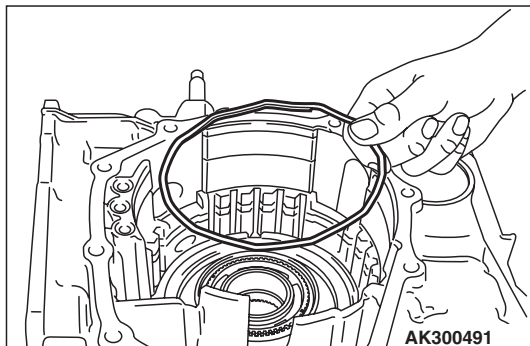
4. Fit a new O-ring into the groove of one-way clutch inner race.



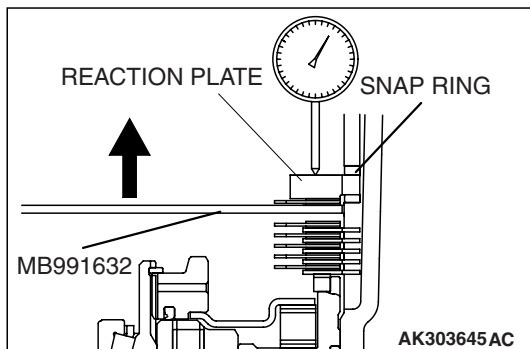
5. Check the placement of the identification notches in the one-way clutch inner race. Install the one-way clutch inner race to the transfer drive gear bearing so that the notches fall along the A -A line.



6. Put the snap ring on the inner race.
7. Set special tools MD999577 and MD998924 as shown, and then compress the one-way clutch inner race and install the snap ring.



8. Install the wave spring onto the low-reverse brake piston.

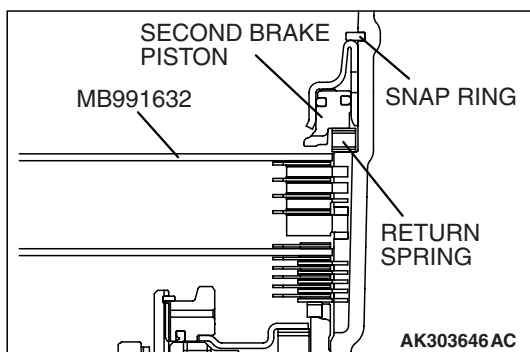


9. Install the brake discs (six pieces), brake plates (five pieces) and snap ring as shown in the figure.

*NOTE: Do not install the pressure plate at this time.*

10. Install special tool MB991632 on the brake disc.
11. Install the reaction plate and the used snap ring.
12. Move special tool MB991632 to measure the end play of reaction plate. Then replace the snap ring installed in step 11 to adjust the end play to standard value.

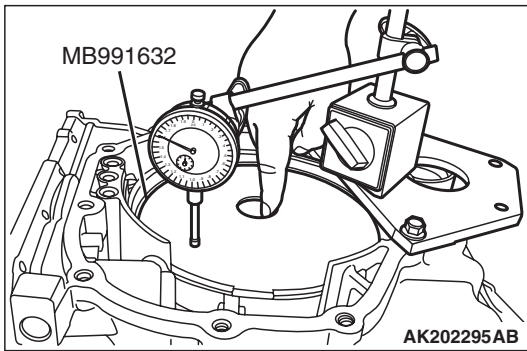
**Standard value: 0 – 0.16 mm (0 – 0.0063 inch)**



13. Install the brake discs (four pieces) and brake plates (three pieces) as shown in the figure.

*NOTE: Do not install the pressure plate at this time.*

14. Place special tool MB991632 on top of the brake disc in place of the pressure plate.
15. Install the return spring, second brake piston and snap ring.



16. Move special tool MB991632 and measure its movement.

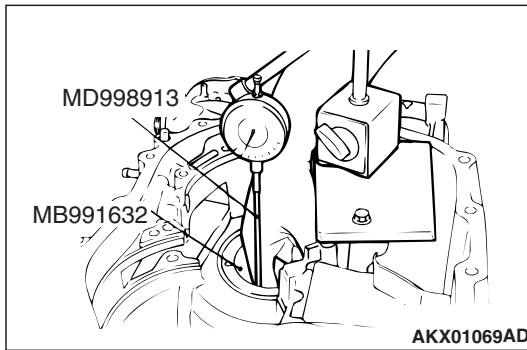
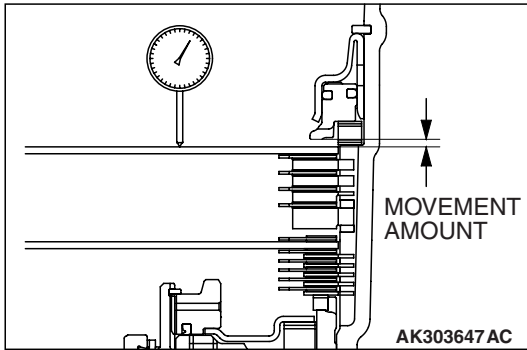
**Standard value of end play (Reference):**

**1.09 – 1.55 mm (0.0429 – 0.0610 inch)**

17. Select a pressure plate whose thickness corresponds to the measured amount of movement from the following table.

**PRESSURE PLATE FOR SECOND BRAKE**

| MOVEMENT AMOUNT<br>mm (in)   | THICKNESS<br>mm (in) | ID SYMBOL |
|------------------------------|----------------------|-----------|
| 1.1 – 1.3<br>(0.043 – 0.051) | 1.8 (0.071)          | E         |
| 1.3 – 1.5<br>(0.051 – 0.059) | 2.0 (0.079)          | D         |
| 1.5 – 1.7<br>(0.059 – 0.067) | 2.2 (0.087)          | C         |
| 1.7 – 1.9<br>(0.067 – 0.075) | 2.4 (0.094)          | B         |
| 1.9 – 2.1<br>(0.075 – 0.083) | 2.6 (0.102)          | A         |
| 2.1 – 2.3<br>(0.083 – 0.091) | 2.8 (0.110)          | 0         |



18. Turn the transaxle over so that the installation surface of the torque converter housing is facing up.

Install special tool MD998913 in a dial gauge, and then move special tool MB991632 and measure its movement.

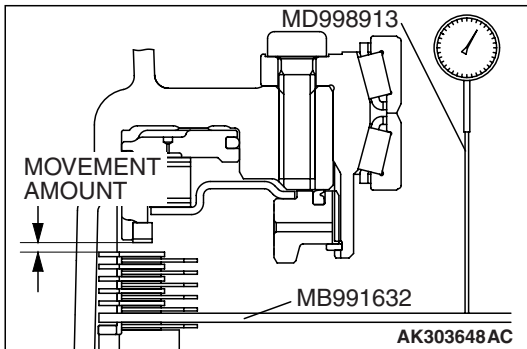
**Standard value of end play (Reference):**

**1.65 – 2.11 mm (0.0649 – 0.0831 inch)**

19. Select a pressure plate whose thickness corresponds to the measured amount of movement from the table below.

**PRESSURE PLATE FOR LOW-REVERSE BRAKE**

| MOVEMENT AMOUNT<br>mm (in)   | THICKNESS<br>mm (in) | ID SYMBOL |
|------------------------------|----------------------|-----------|
| 1.0 – 1.2<br>(0.039 – 0.047) | 1.6 (0.063)          | F         |
| 1.2 – 1.4<br>(0.047 – 0.055) | 1.8 (0.071)          | E         |
| 1.4 – 1.6<br>(0.055 – 0.063) | 2.0 (0.079)          | D         |
| 1.6 – 1.8<br>(0.063 – 0.071) | 2.2 (0.087)          | C         |
| 1.8 – 2.0<br>(0.071 – 0.079) | 2.4 (0.094)          | B         |



| <b>MOVEMENT<br/>AMOUNT<br/>mm (in)</b> | <b>THICKNESS<br/>mm (in)</b> | <b>ID<br/>SYMBOL</b> |
|--|------------------------------|----------------------|
| 2.0 –2.2<br>(0.079 –0.087)             | 2.6 (0.102)                  | A                    |
| 2.2 –2.4<br>(0.087 –0.094)             | 2.8 (0.110)                  | 0                    |
| 2.4 –2.6<br>(0.094 –0.102)             | 3.0 (0.118)                  | 1                    |

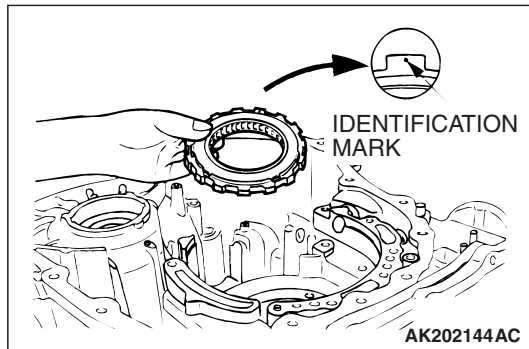
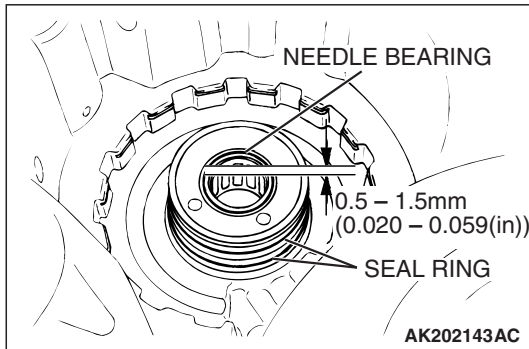
**⚠ CAUTION**

**If necessary, take the measurements in steps 9 to 18 after replacing the pressure plate, brake plate and brake disc.**

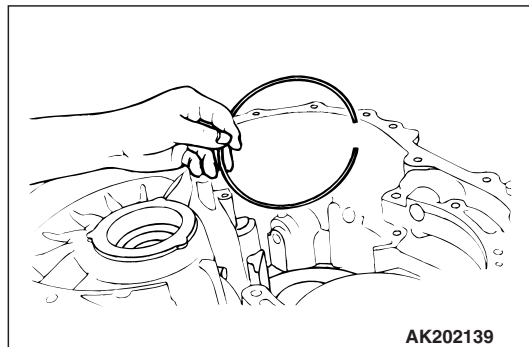
20. Remove all parts and special tools that were installed to take the measurements in steps 9 to 18. Remove and separate the pressure plate and snap ring chosen in steps 12, 16 and 18.

21. Install the needle bearing as shown in the illustration.

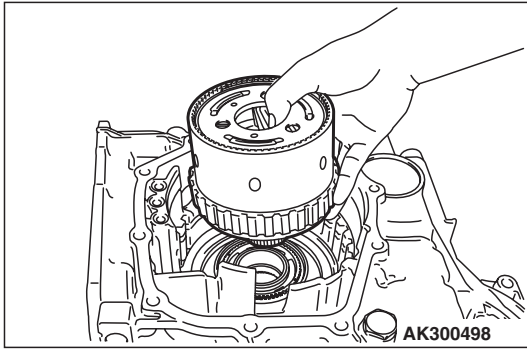
22. Install the two seal rings.



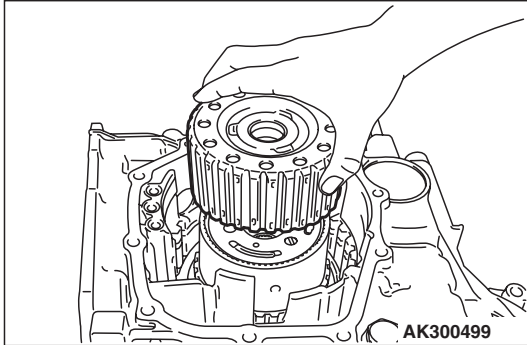
23. Install the snap ring into the groove of transaxle case output shaft bore.



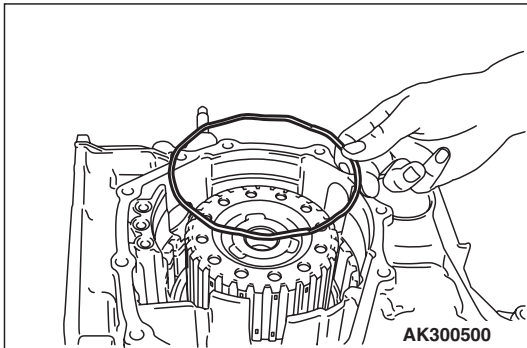
24. Install the snap ring.



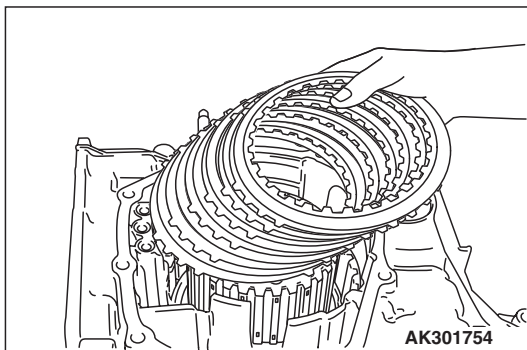
25. Install the planetary carrier assembly.



26. Install the planetary reverse sun gear.

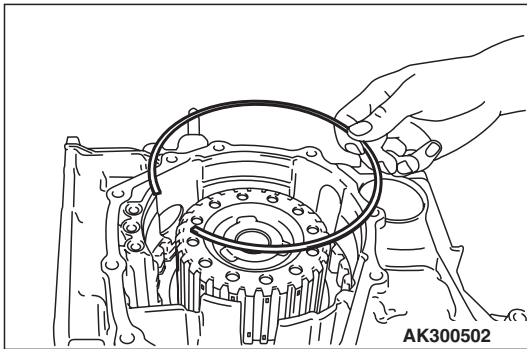


27. Install the wave spring on the low-reverse brake piston.

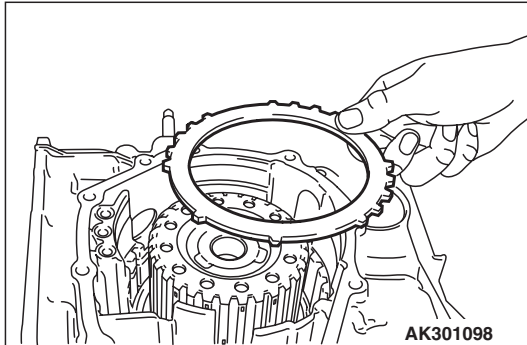


28. Install the pressure plate that was selected in step 19. Next, install brake discs (six pieces) and brake plates (five pieces), one on top of the other.

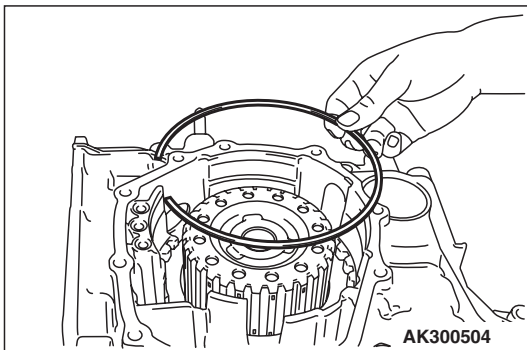




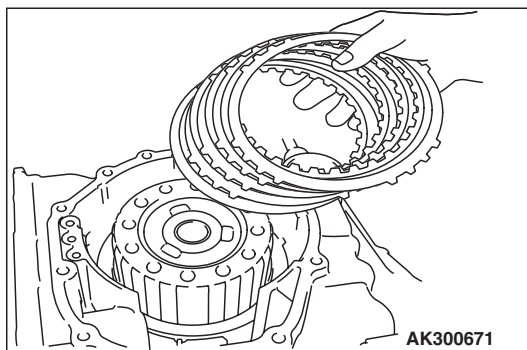
29. Install the snap ring.



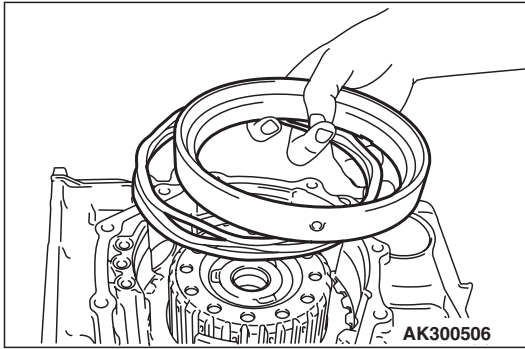
30. Install the reaction plate.



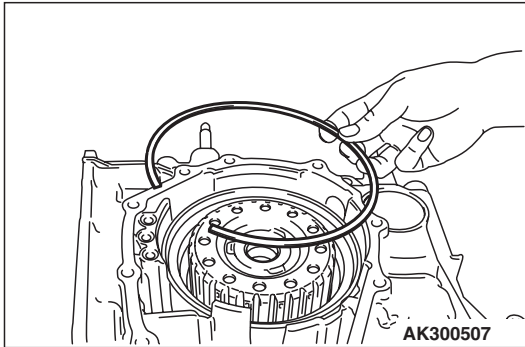
31. Install the snap ring that was selected in step 12.



32. Install second brake discs (four pieces) and second brake plates (three pieces), one on top of the other. Next, install the pressure plate that was selected in step 17.

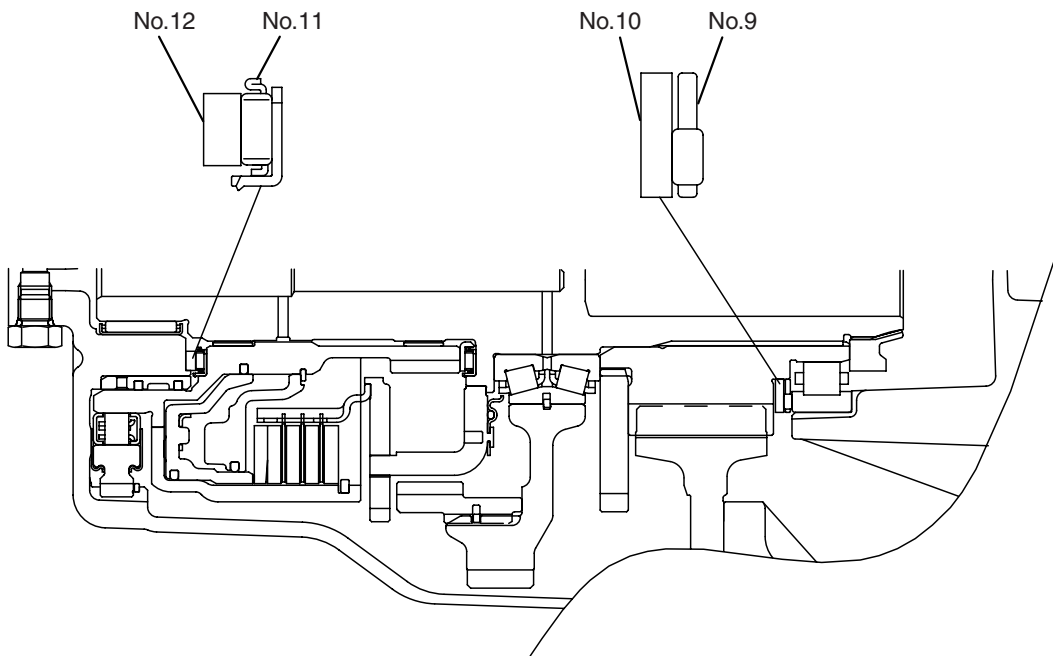
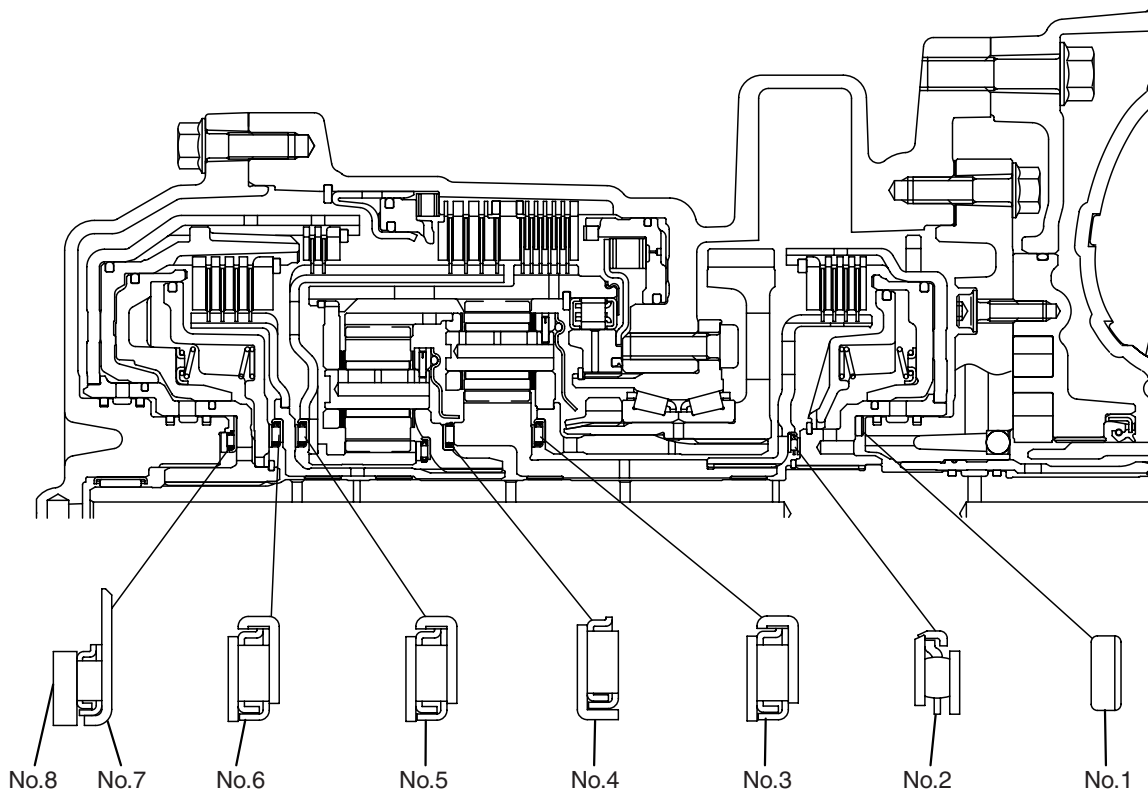


33. Install the return spring and second brake piston.



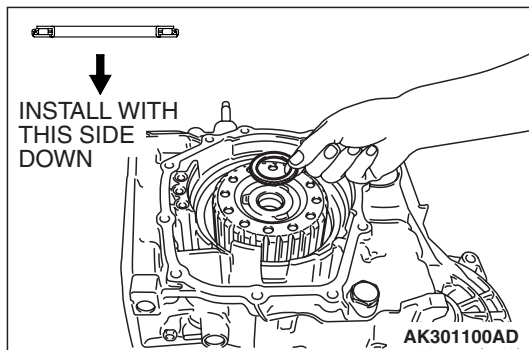
34. Install the snap ring.

IDENTIFICATION OF THRUST BEARING, THRUST RACES, AND THRUST WASHERS



AK403273AB

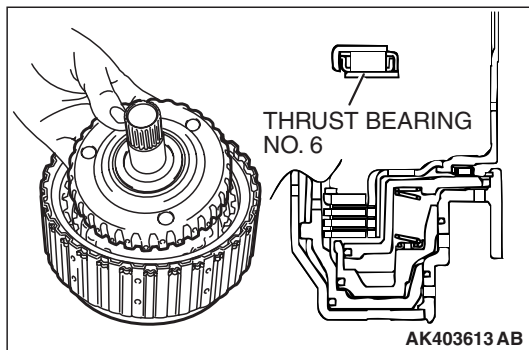
| SYMBOL | OD mm (in)   | ID mm (in)  | THICKNESS mm (in) | SYMBOL | OD mm (in)   | ID mm (in)  | THICKNESS mm (in) |             |
|--------|--------------|-------------|-------------------|--------|--------------|-------------|-------------------|-------------|
| No. 1  | 59 (2.32)    | 47 (1.85)   | 1.8 (0.071)       | No. 8  | 48.9 (1.925) | 37 (1.46)   | 1.8 (0.071)       |             |
|        | 59 (2.32)    | 47 (1.85)   | 2.0 (0.079)       |        | 48.9 (1.925) | 37 (1.46)   | 1.9 (0.075)       |             |
|        | 59 (2.32)    | 47 (1.85)   | 2.2 (0.087)       |        | 48.9 (1.925) | 37 (1.46)   | 2.0 (0.079)       |             |
|        | 59 (2.32)    | 47 (1.85)   | 2.4 (0.094)       |        | 48.9 (1.925) | 37 (1.46)   | 2.1 (0.083)       |             |
|        | 59 (2.32)    | 47 (1.85)   | 2.6 (0.102)       |        | 48.9 (1.925) | 37 (1.46)   | 2.2 (0.087)       |             |
|        | 59 (2.32)    | 47 (1.85)   | 2.8 (0.110)       |        | 48.9 (1.925) | 37 (1.46)   | 2.3 (0.091)       |             |
| No. 2  | 49 (1.93)    | 34 (1.34)   | 3.6 (0.142)       |        | 48.9 (1.925) | 37 (1.46)   | 2.4 (0.094)       |             |
| No. 3  | 57 (2.24)    | 38.5 (1.52) | 4.1 (0.161)       |        | 48.9 (1.925) | 37 (1.46)   | 2.5 (0.098)       |             |
| No. 4  | 55.4 (2.18)  | 38.5 (1.52) | 3.3 (0.130)       |        | 48.9 (1.925) | 37 (1.46)   | 2.6 (0.102)       |             |
| No. 5  | 57 (2.24)    | 38.5 (1.52) | 4.1 (0.161)       |        | No. 9        | 80 (3.15)   | 60 (2.36)         | 2.5 (0.098) |
| No. 6  | 57 (2.24)    | 38.5 (1.52) | 4.1 (0.161)       |        | No. 10       | 80 (3.15)   | 60 (2.36)         | 2.5 (0.098) |
| No. 7  | 59 (2.32)    | 37 (1.46)   | 2.8 (0.110)       |        | No. 11       | 55.4 (2.18) | 38.5 (1.52)       | 3.3 (0.123) |
| No. 8  | 48.9 (1.925) | 37 (1.46)   | 1.6 (0.063)       | No. 12 | 54.6 (2.15)  | 43(1.69)    | 3.0 (0.118)       |             |
|        | 48.9 (1.925) | 37 (1.46)   | 1.7 (0.067)       |        |              |             |                   |             |



**⚠ CAUTION**

Be sure to install the thrust bearing in the correct direction as shown.

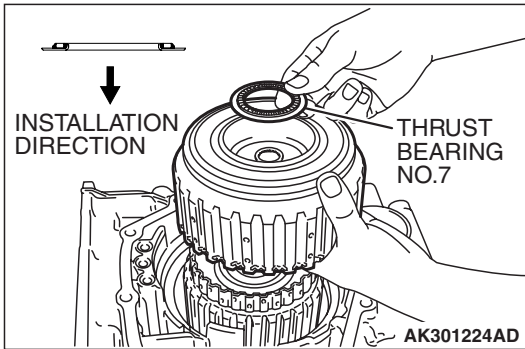
35. Check the installation direction of the thrust bearing number 5, and install it on the hub of the planetary reverse sun gear.



**⚠ CAUTION**

Use care to install the thrust bearing in the proper direction.

36. Attach thrust bearing number 6 to the inside of the overdrive clutch hub using petroleum jelly (Vaseline). Then install the assembly in the reverse and overdrive clutch.

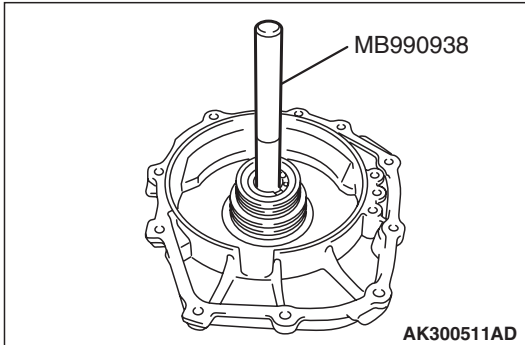


37. Install the reverse and overdrive clutch.

**CAUTION**

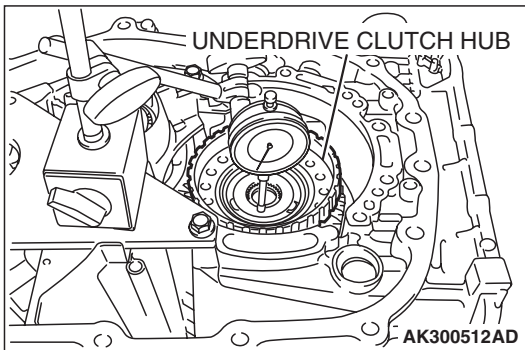
Be sure to install the thrust bearing in the correct direction as shown.

38. Check the installation direction of thrust bearing number 7, and install it on the reverse clutch retainer.



39. Use special tool MB990938 to tap the input shaft rear bearing in the rear cover.

40. Install the seal rings (four pieces) in the grooves of the rear cover.



41. Measure the end play of the under drive sun gear by the following procedures:

- (1) Install the thinnest thrust race number 8 [thickness 1.6 mm (0.063 inch); part number MD707267] on thrust bearing number 7.
- (2) Install the rear cover on the transaxle case and tighten the bolts to the specified torque.

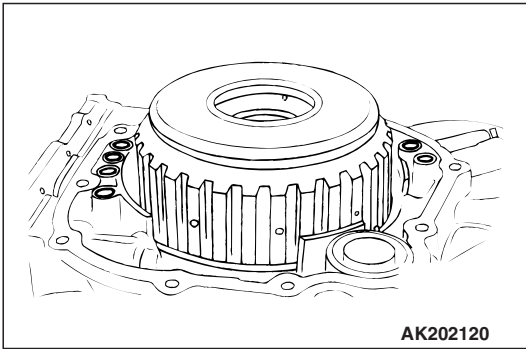
**Tightening torque: 23 ± 3 N·m (17 ± 2 ft-lb)**

- (3) Turn over the transaxle case so that the installation surface of the torque converter housing is facing up.
- (4) Install the under drive clutch hub on the under drive sun gear.
- (5) Measure end play of the underdrive sun gear and record the measurement value.

**Standard value (Reference):**

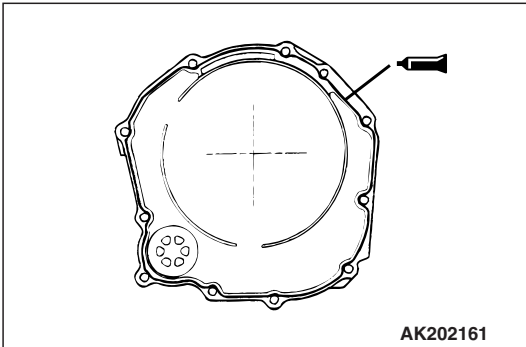
**0.25 – 0.45 mm (0.0098 – 0.0177 inch)**

- (6) After taking the measurement in steps (5), take out the installed parts in steps (1) through (4).

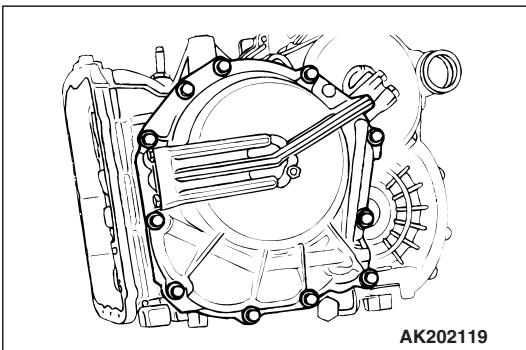


- 42. Install the O-rings (six pieces).
- 43. Select a thrust race number 8 whose thickness corresponds to the measured values taken in step 40 from the table below. Install it on thrust bearing number 7.

| MEASUREMENT VALUE<br>mm (in) | THICKNESS<br>mm (in) |
|------------------------------|----------------------|
| 0.3 – 0.4 (0.012 – 0.016)    | 1.6 (0.063)          |
| 0.4 – 0.5 (0.016 – 0.020)    | 1.7 (0.067)          |
| 0.5 – 0.6 (0.020 – 0.024)    | 1.8 (0.071)          |
| 0.6 – 0.7 (0.024 – 0.028)    | 1.9 (0.075)          |
| 0.7 – 0.8 (0.028 – 0.031)    | 2.0 (0.079)          |
| 0.8 – 0.9 (0.031 – 0.035)    | 2.1 (0.083)          |
| 0.9 – 1.0 (0.035 – 0.039)    | 2.2 (0.087)          |
| 1.0 – 1.1 (0.039 – 0.043)    | 2.3 (0.091)          |
| 1.1 – 1.2 (0.043 – 0.047)    | 2.4 (0.094)          |
| 1.2 – 1.3 (0.047 – 0.051)    | 2.5 (0.098)          |
| 1.3 – 1.4 (0.051 – 0.055)    | 2.6 (0.102)          |



- 44. Apply a 2 mm (0.08 inch) diameter bead of sealant (MITSUBISHI Genuine Part number MD974421 or equivalent) to the illustrated position of the rear cover.
- NOTE: Be sure to install the case quickly while the sealant is wet (within 15 minutes). Leaks will occur if the rear cover is installed after the sealant dries.*

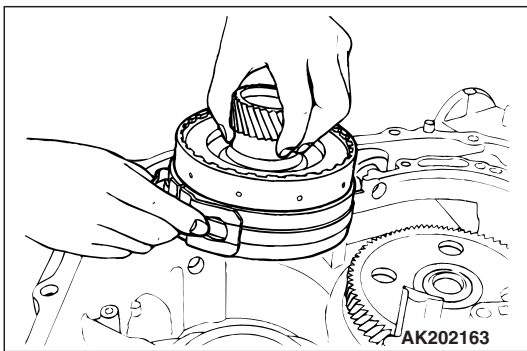
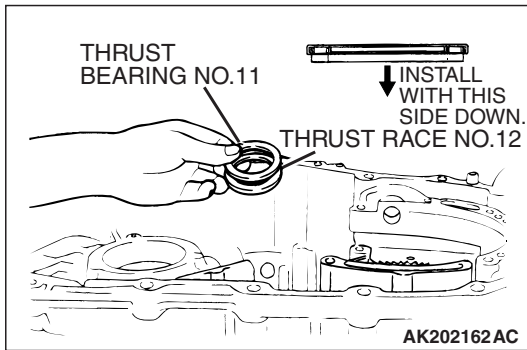


- 45. Install the rear cover, and tighten its mounting bolts to the specified torque.
- Tightening torque: 23 ± 3 N· m (17 ± 2 ft-lb)**
- NOTE: After installation, keep the sealed area away from ATF for approximately one hour.*

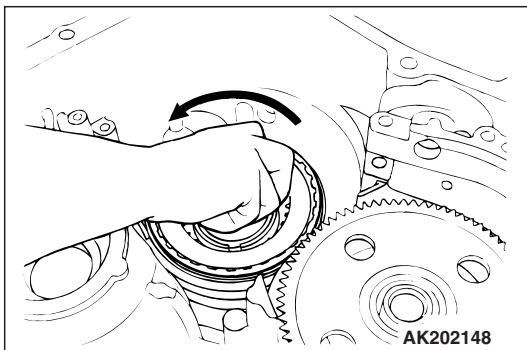
**⚠ CAUTION**

Install the thrust bearing with the indicated side facing down.

46. Install the thrust race number 12 and thrust bearing number 11.

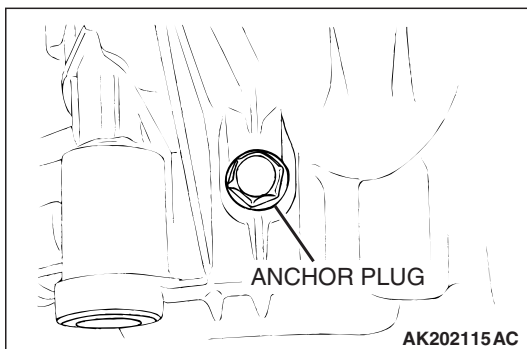


47. Finger-tighten the anchor plug and a new O-ring, then install the reduction brake band and direct clutch simultaneously.



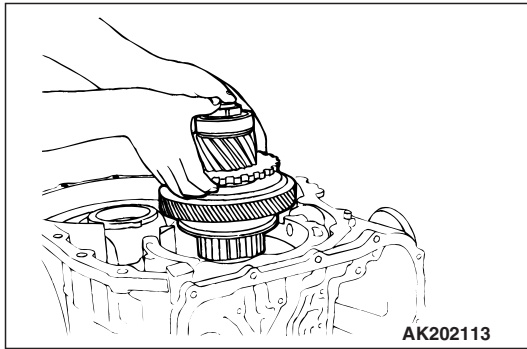
48. Make sure that the direct clutch can be rotated only in the direction indicated in the illustration.

*NOTE: If the clutch can be rotated in the other direction, remove and reinstall it correctly.*

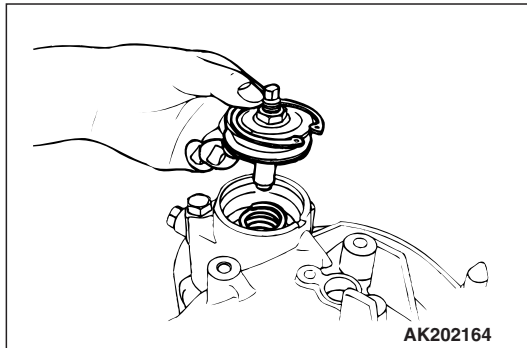


49. Tighten the anchor plug to the specified torque.

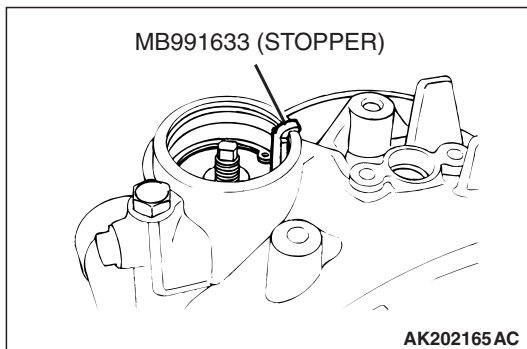
**Tightening torque: 98 ± 15 N·m (72 ± 11 ft-lb)**



50. Install the direct planetary carrier assembly.

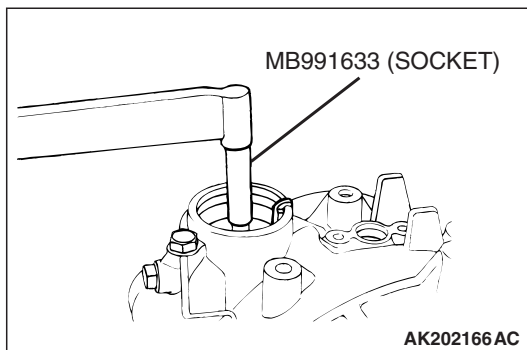


51. Install the reduction brake spring and piston in position in the transmission case, then install the snap ring.

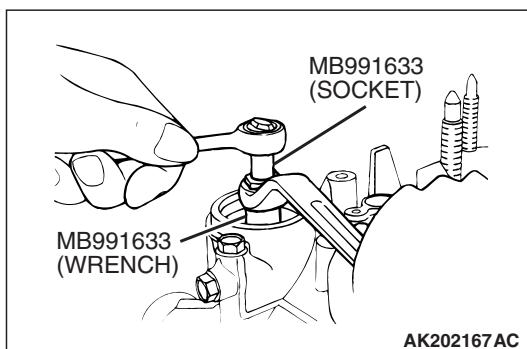


52. Adjust the reduction brake piston using the following procedure:

- (1) Remove the nut from the reduction brake piston.
- (2) Install the stopper of the special tool to hold the reduction brake piston against rotation.

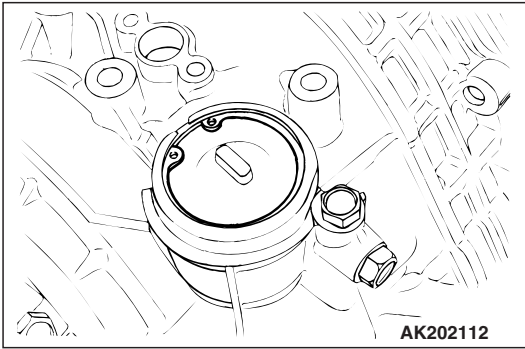


- (3) Using a torque wrench fitted with the socket of the special tool, tighten the adjusting rod to 10 N·m (89 in-lb), then loosen it. Repeat this operation twice. Tighten the adjusting rod to 5 N·m (43 in-lb), then turn it back 5-1/2 (180 degrees) to 5-3/4 (270 degrees) turns.

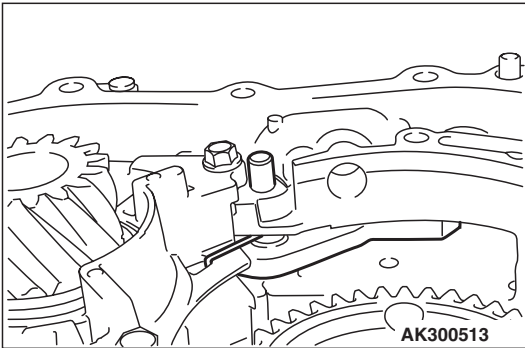


- (4) Install the nut on the adjusting rod and tighten the nut to  $19 \pm 3$  N·m ( $14 \pm 2$  ft-lb) using the wrench of the special tool.

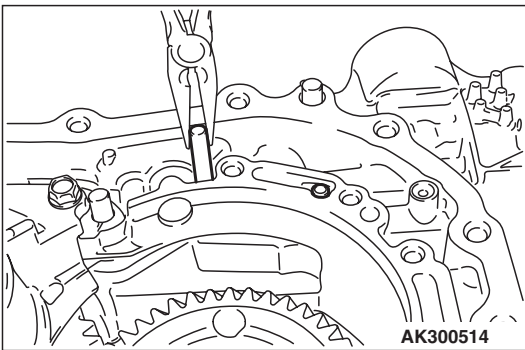




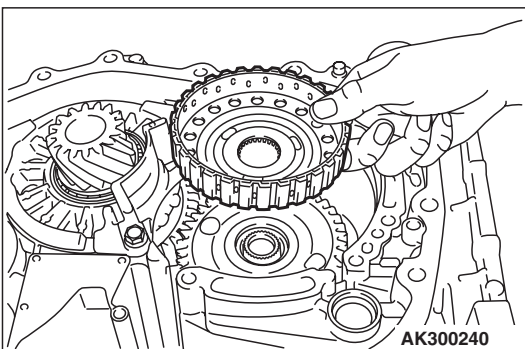
53. Install the reduction brake piston cover and snap ring.



54. Install the parking pawl, spacer, and spring. Then insert the parking pawl shaft.



55. Install the parking roller support, and then insert the parking roller support shafts (two pieces).

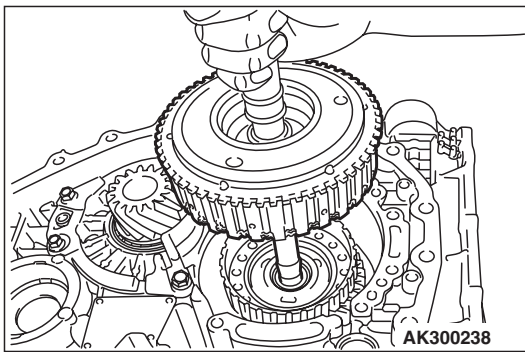
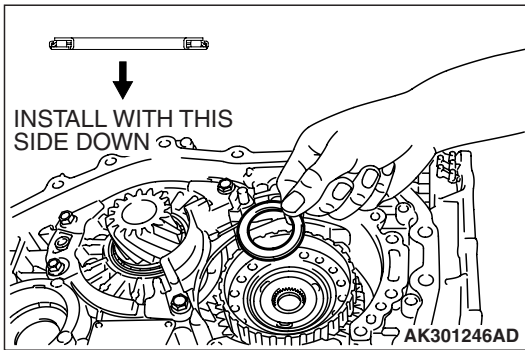


56. Install the underdrive clutch hub to the underdrive sun gear.

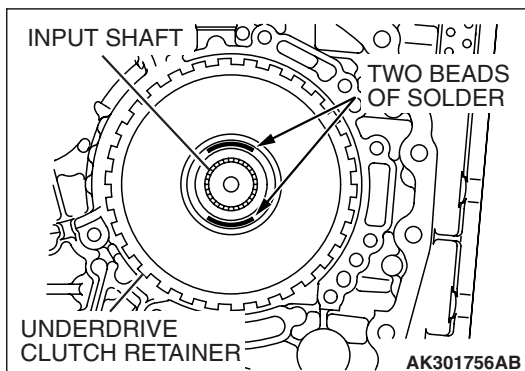
**⚠ CAUTION**

Be sure to install the thrust bearing in the correct direction as shown.

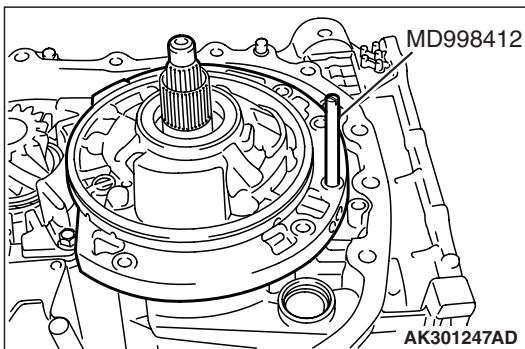
57. Check the installation direction of thrust bearing number 2, and install it on the underdrive clutch hub.



58. Hold the input shaft, and install the underdrive clutch.



59. Place two beads of solder [each 10 mm (0.39 inch) in length, 3.5 mm (0.14 inch) in diameter] on the underdrive clutch retainer as shown in the illustration.



60. Install special tool MD998412 as shown.

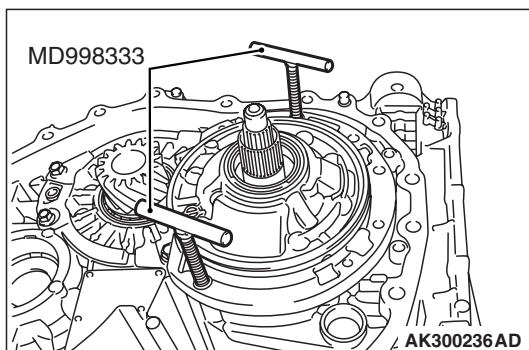
61. Install the oil pump to the transaxle case.

*NOTE: Do not install the oil pump gasket at this time.*

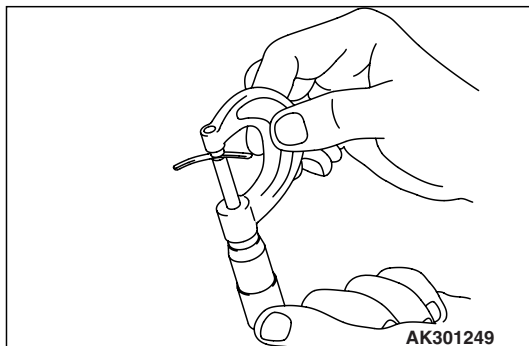
62. Tighten the six oil pump mounting bolts to the specified torque.

**Tightening torque: 29 ± 2 N·m (21 ± 1 ft-lb)**

63. Remove the oil pump mounting bolts.



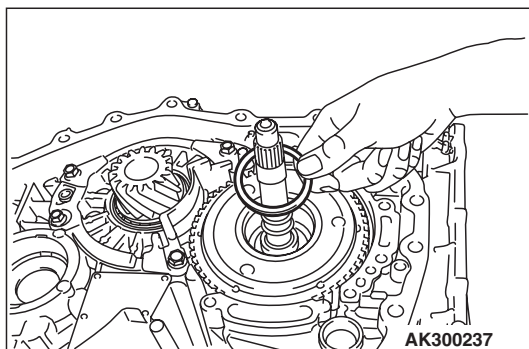
64. Using special tools MD998333, remove the oil pump and the crushed solders.



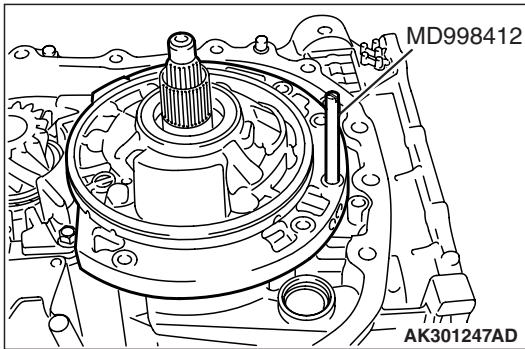
65. Use a micrometer to measure the thickness of the crushed solder beads and record the measured value.

66. Select a thrust washer number 1 whose thickness corresponds to the measured value from table below.

| <b>MEASUREMENT VALUE mm (in)</b> | <b>THICKNESS mm (in)</b> | <b>ID SYMBOL</b> |
|----------------------------------|--------------------------|------------------|
| 2.25 – 2.45<br>(0.089 – 0.096)   | 1.8 (0.071)              | 18               |
| 2.45 – 2.65<br>(0.096 – 0.104)   | 2.0 (0.079)              | 20               |
| 2.65 – 2.85<br>(0.104 – 0.112)   | 2.2 (0.087)              | 22               |
| 2.85 – 3.05<br>(0.112 – 0.120)   | 2.4 (0.094)              | 24               |
| 3.05 – 3.25<br>(0.120 – 0.128)   | 2.6 (0.102)              | 26               |
| 3.25 – 3.45<br>(0.128 – 0.136)   | 2.8 (0.110)              | 28               |



67. Install thrust washer number 1 that was selected in step 65 on the underdrive clutch retainer.

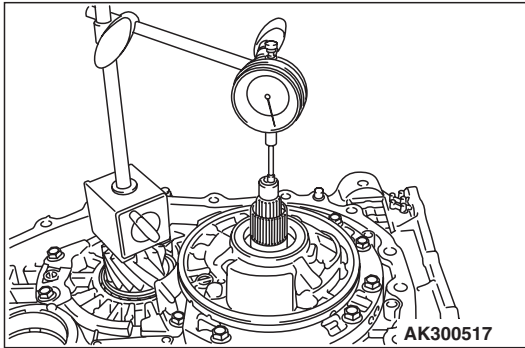


68. Install special tool MD998412 as shown.

69. Install the new oil pump gasket on the transaxle case.

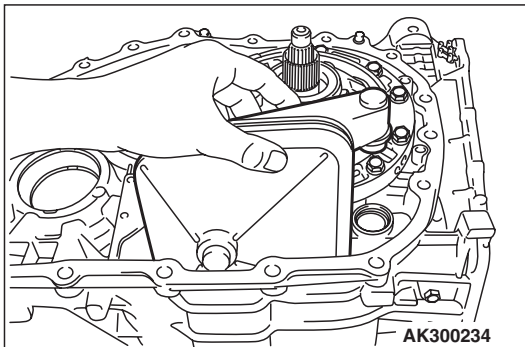
70. Install the oil pump and tighten the six mounting bolts to the specified torque.

**Tightening torque:  $29 \pm 2$  N·m ( $21 \pm 1$  ft-lb)**

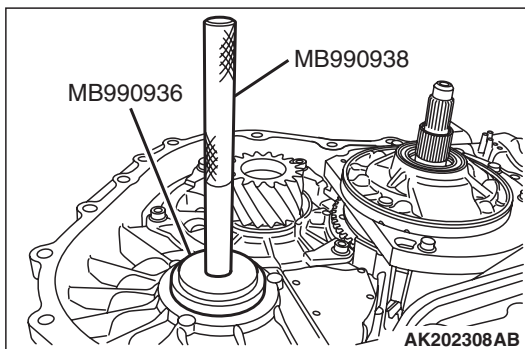


71. Make sure that the input shaft end play meets the standard value.

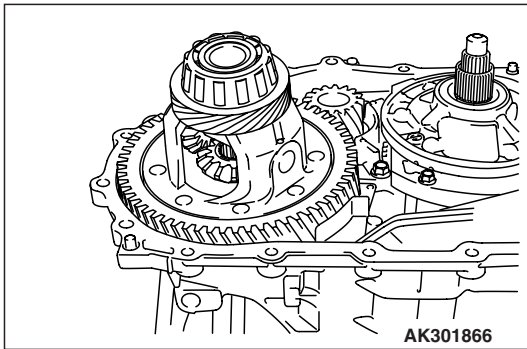
**Standard value: 0.70 – 1.45 mm (0.028 – 0.057 inch)**



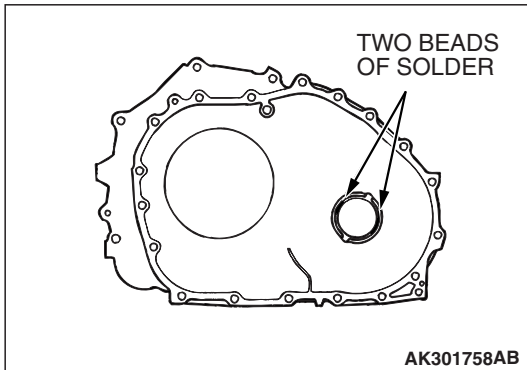
72. Install the oil filter.



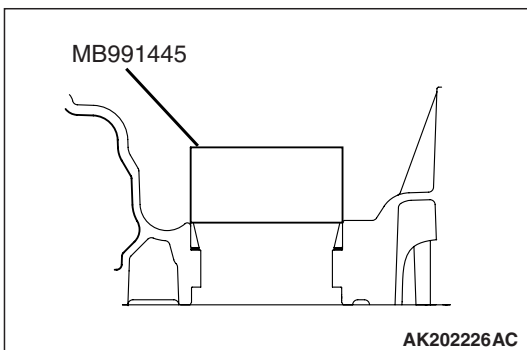
73. Use special tools MB990936 and MB990938 to tap the differential bearing outer race in the transaxle case.



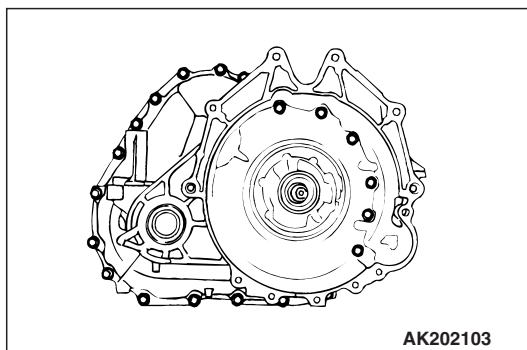
74. Install the differential.



75. Place two beads of solder [each 10 mm (0.39 inch) in length, 3 mm (0.12 inch) in diameter] on the torque converter housing as shown in the illustration.



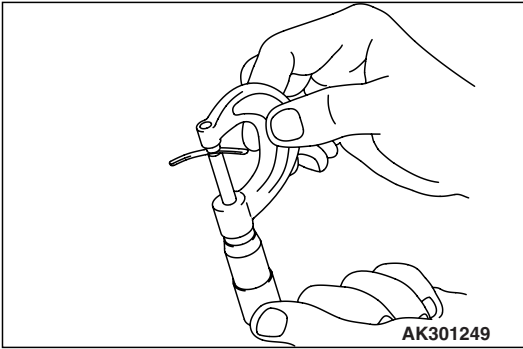
76. Use special tools MB991445 to press the differential bearing outer race into the torque converter housing.



77. Install the torque converter housing to the transaxle case without applying sealant. Tighten its mounting bolts to the specified torque.

**Tightening torque:  $48 \pm 6$  N·m ( $35 \pm 4$  ft-lb)**

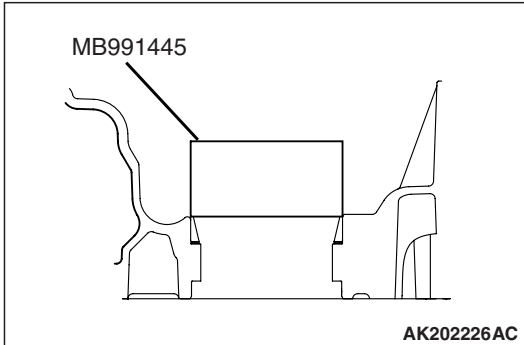
78. Loosen all the bolts, and remove the torque converter housing. Then remove the outer race and the crushed solders.



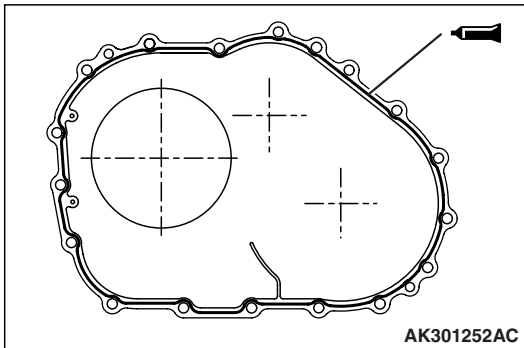
79. Use a micrometer to measure the thickness of the crushed solder beads and record the measured value. Add 0.045 to 0.105 mm (0.0018 to 0.0041 inch)\* to the measured value and select a spacer with the corresponding thickness. Adjustment spacer sizes are all listed on P.23C-84. Select the most suitable one from among those listed.

*NOTE: \* is the thickness for the differential case preload.*

80. Install the spacer selected in step 66 to the torque converter housing.



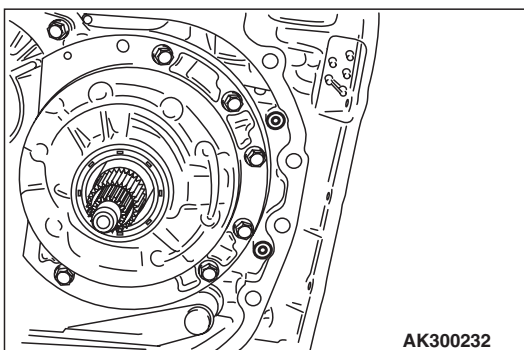
81. Use special tools MB991445 to press the outer race into housing.



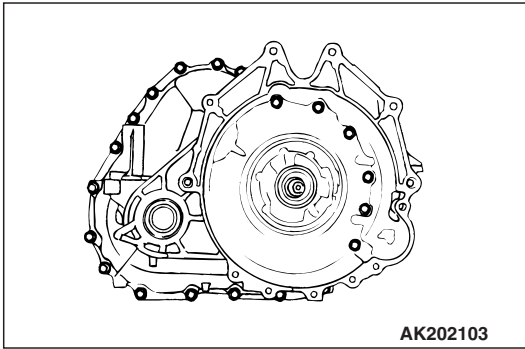
82. Apply a 2 mm (0.08 inch) diameter bead of sealant (MITSUBISHI Genuine Part number MD974421 or equivalent) to the torque converter housing in the area shown.

*NOTE: Be sure to install the case quickly while the sealant is wet (with 15 minutes). Leaks will occur if the rear cover is installed after the sealant dries.*

*NOTE: After installation, keep the sealed area away from ATF for approximately one hour.*



83. Install the O-rings (two pieces).

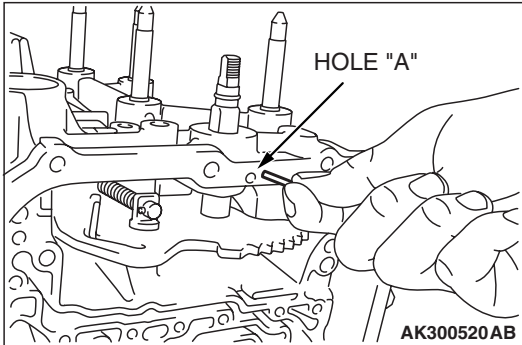


84. Install the torque converter housing and then tighten its mounting bolts (twenty pieces) to the specified torque.

**Tightening torque:  $48 \pm 6$  N·m ( $35 \pm 4$  ft-lb)**

85. Insert the O-rings (two pieces) into the grooves of the manual control lever shaft.

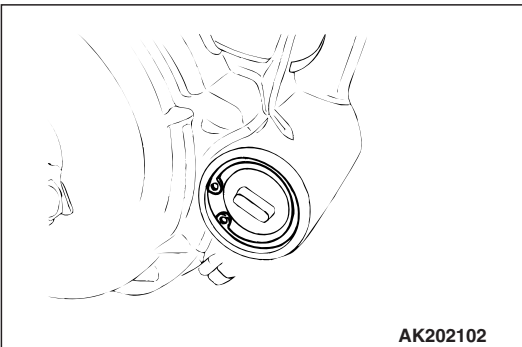
86. Install the manual control lever shaft and parking pawl rod.



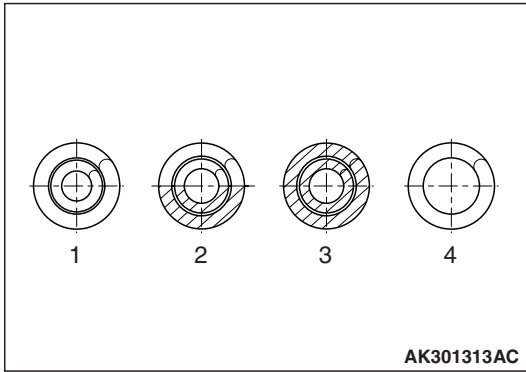
87. Align hole "A" with the groove in the manual control lever shaft. Insert the manual control lever shaft roller into hole "A."

88. Insert the new seal rings in the grooves of the accumulator pistons.

*NOTE: The piston and seal ring are common parts.*



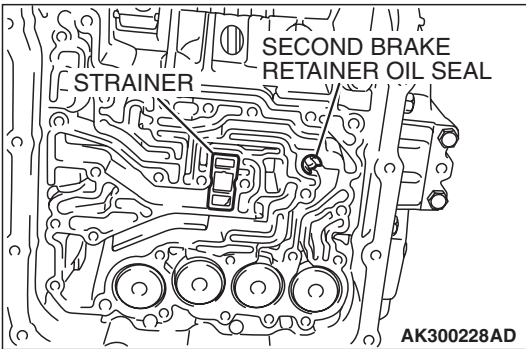
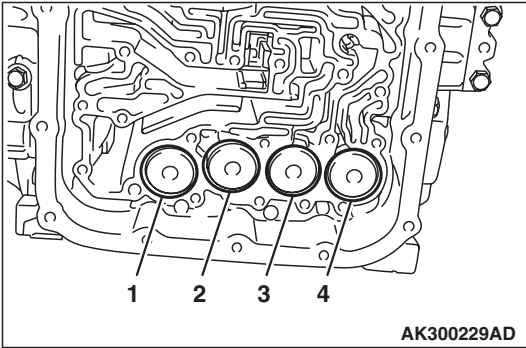
89. Install the piston and spring of the reduction brake accumulator, then install the accumulator cover.



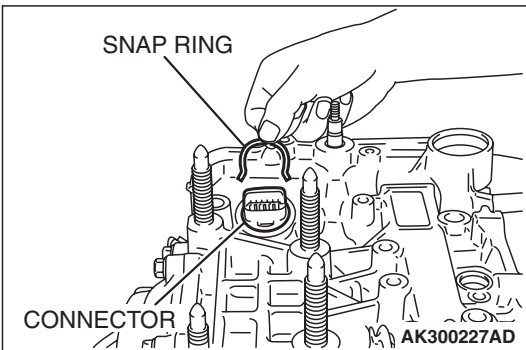
90. Identify the accumulator spring and insert it and the accumulator piston into each hole of the transaxle case.

*NOTE: Accumulator springs are identified as shown in the illustration.*

| NO. | NAME                  | IDENTIFICATION "BLUEING" |
|-----|-----------------------|--------------------------|
| 1   | For low-reverse brake | None                     |
| 2   | For underdrive clutch | Half                     |
| 3   | For second brake      | Whole surface            |
| 4   | For overdrive clutch  | None                     |



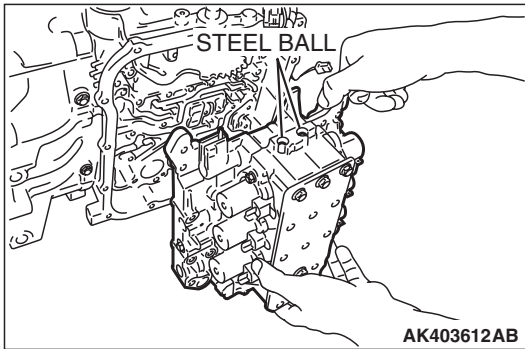
91. Install the strainer and second brake retainer oil seal.



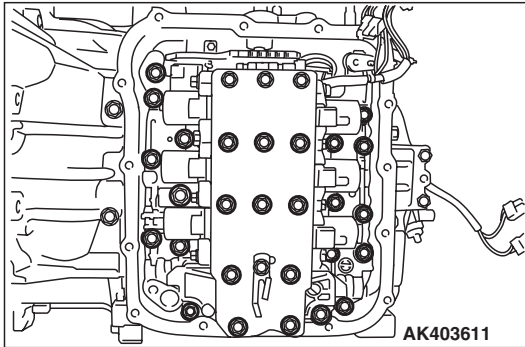
92. Insert a new O-ring to the groove of the solenoid valve harness connector.

93. Insert the solenoid valve harness connector into the hole from the inside of the transaxle case so it is oriented as shown in the illustration. Then secure the snap ring to the connector groove.



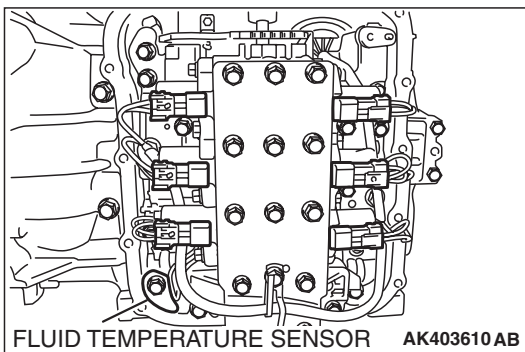


94. Install the steel balls into each of the two holes in the top face of the valve body (outside valve body).
95. Install the valve body and gasket to the transaxle case. Make sure that the manual valve's pin is in the groove in the detent plate of the manual control lever.



96. Install the valve body mounting bolts (twenty seven pieces), and tighten to the specified torque.

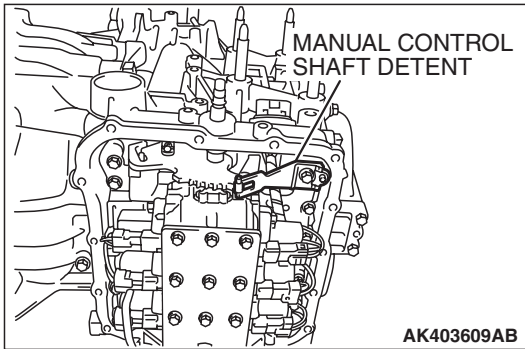
**Tightening torque: 11 ± 1 N· m (97 ± 9 in-lb)**



97. Attach the solenoid valve harness to the valve body by connecting all the connectors.
98. Install the fluid temperature sensor to the specified torque.

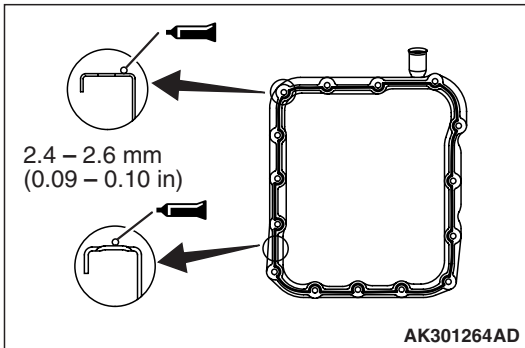
**Tightening torque: 11 ± 1 N· m (97 ± 9 in-lb)**

| NO. | PARTS TO BE CONNECTED                          | SOLENOID VALVE HARNESS |                         |
|-----|--|------------------------|-------------------------|
|     |  | CABLE COLOR            | CONNECTOR HOUSING COLOR |
| 1   | Underdrive solenoid valve                      | White, red, red        | Black                   |
| 2   | Overdrive solenoid valve                       | Orange, red            | Black                   |
| 3   | Low-reverse solenoid valve                     | Brown, yellow          | Milky white             |
| 4   | Second solenoid valve                          | Blue, red, red         | Milky white             |
| 5   | Torque converter clutch control solenoid valve | Blue, yellow, yellow   | Black                   |
| 6   | Reduction solenoid valve                       | Green, yellow, yellow  | Black                   |



99. Install the manual control shaft detent and tighten the bolt to the specified torque.

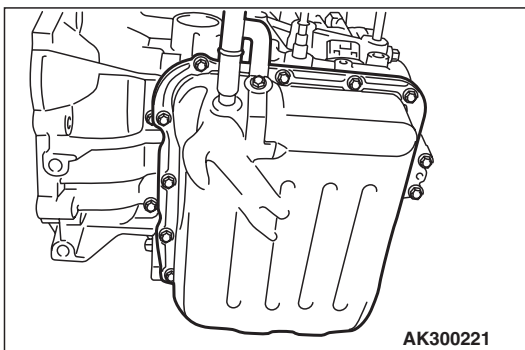
**Tightening torque:  $6.0 \pm 1.0$  N·m ( $53 \pm 9$  in-lb)**



100. Apply a 2.4 –2.6 mm (0.09 –0.10 inch) diameter bead of sealant (MITSUBISHI Genuine Part number MD974421 or equivalent) to the valve body cover in the area shown.

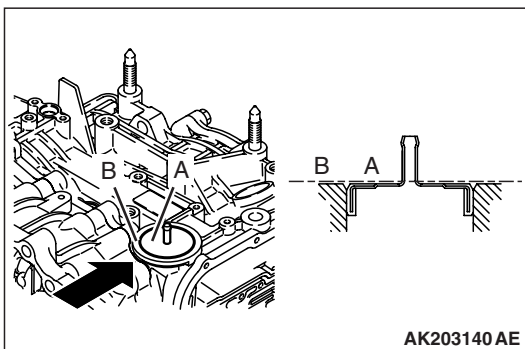
*NOTE: Be sure to install the case quickly while the sealant is wet (with 15 minutes) or leaks will occur if the rear cover is installed after the sealant dries.*

*NOTE: After installation, keep the sealed area away from ATF for approximately one hour.*

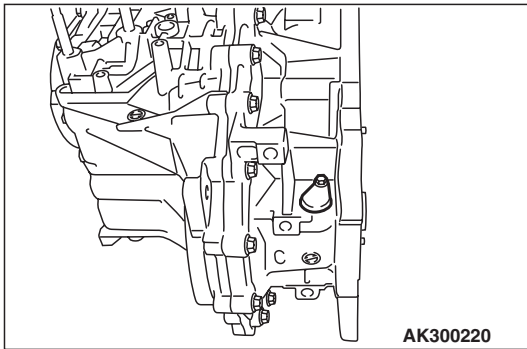


101. Install the valve body cover, and then tighten its mounting bolts to the specified torque.

**Tightening torque:  $11 \pm 1$  N·m ( $97 \pm 9$  in-lb)**

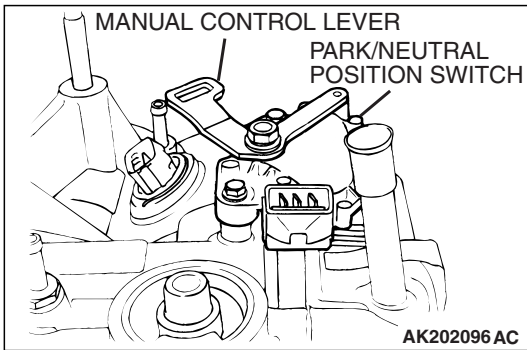


102. Press Face "A" of the air breather to be on the same plane as the Face "B" of the transaxle case as shown in the illustration.



103. Install the sealing cap and tighten the bolt to the specified torque.

**Tightening torque: 5.0 ± 1.0 N· m (44 ± 9 in-lb)**

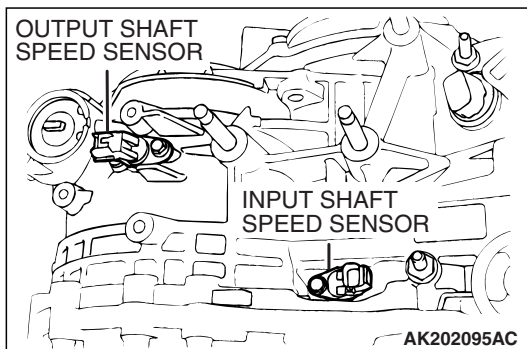


104. Install the park/neutral position switch and tighten the bolt to the specified torque.

**Tightening torque: 11 ± 1 N· m (97 ± 9 in-lb)**

105. Install the manual control lever and tighten the nut to the specified torque.

**Tightening torque: 22 ± 3 N· m (16 ± 2 ft-lb)**



106. Install the input shaft speed sensor and output shaft speed sensor and tighten the bolt to the specified torque.

**Tightening torque: 11 ± 1 N· m (97 ± 9 in-lb)**

107. Apply ATF on the both sides of the new gasket and threads of the eyebolts, and then tighten to the specified torque.

**Tightening torque: 24 ± 3 N· m (18 ± 2 ft-lb)**

108. Tighten the oil cooler feed pipe clamp bolt to the specified torque.

**Tightening torque: 11 ± 1 N· m (97 ± 9 in-lb)**

109. Install the oil dipstick.

110. Install the control cable support brackets to the specified torque.

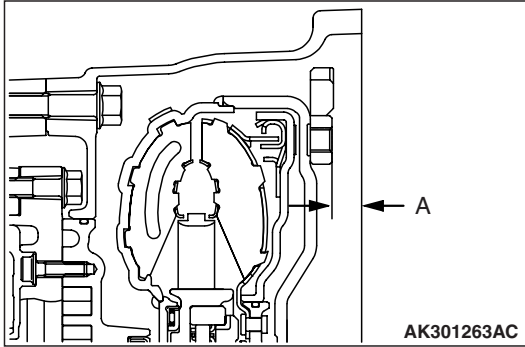
**Tightening torque: 23 ± 3 N· m (17 ± 2 ft-lb)**

111. Install the harness bracket to the specified torque.

**Tightening torque: 11 ± 1 N· m (97 ± 9 in-lb)**

112. Install the roll stopper brackets.

**Tightening torque: 70 ± 10 N· m (52 ± 7 ft-lb)**

**⚠ CAUTION**

Apply ATF to the oil pump drive hub before installing the torque converter. Be careful not to damage the oil seal lip when installing the torque converter.

113. Install the torque converter, and align it with the oil pump so that the shown dimension "A" meets the reference value.

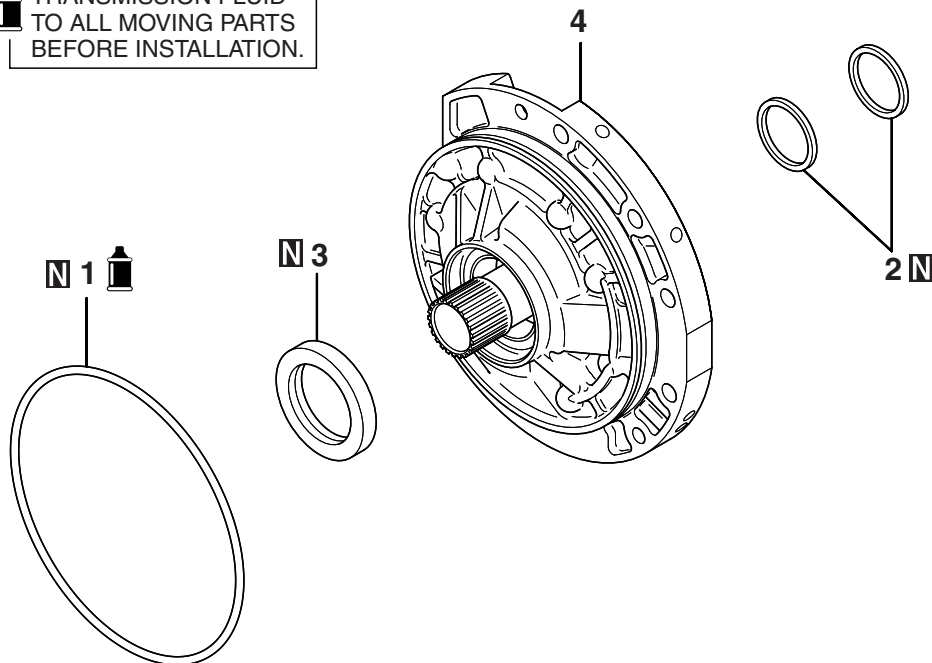
**Reference value: Approximately 9.4 mm (0.37 inch)**

# OIL PUMP

## DISASSEMBLY AND ASSEMBLY

M1233001300206

APPLY AUTOMATIC  
TRANSMISSION FLUID  
TO ALL MOVING PARTS  
BEFORE INSTALLATION.



AK301599 AB

- DISASSEMBLY STEPS**
- >>B<< 1. O-RING  
2. SEAL RING

- DISASSEMBLY STEPS**
- >>A<< 3. OIL SEAL  
4. OIL PUMP ASSEMBLY

### Required Special Tool:

- MD998334: Oil Seal Installer

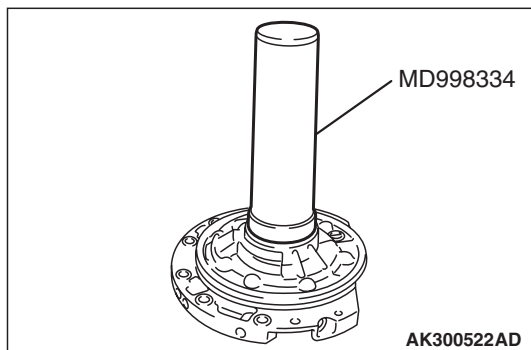
### ASSEMBLY SERVICE POINTS

#### >>A<< OIL SEAL INSTALLATION

1. Apply a small amount of ATF to the oil seal lip.
2. Use special tool MD998334 to tap the oil seal in the oil pump body.

#### >>B<< O-RING INSTALLATION

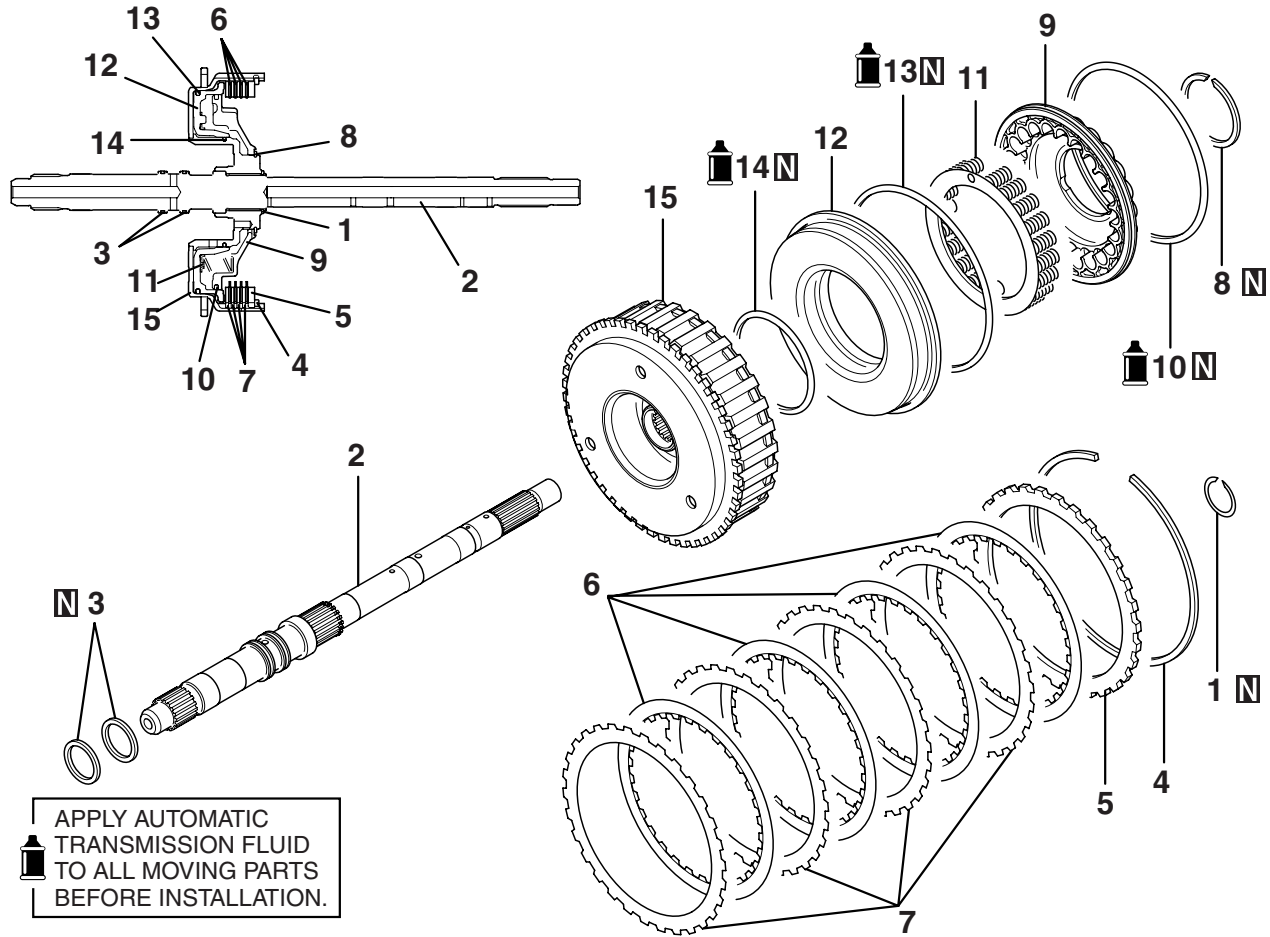
Install a new O-ring to the outer groove of the oil pump, and apply ATF or petroleum jelly (Vaseline) to the O-ring.



# UNDERDRIVE CLUTCH AND INPUT SHAFT

## DISASSEMBLY AND ASSEMBLY

M1233024500171



APPLY AUTOMATIC TRANSMISSION FLUID TO ALL MOVING PARTS BEFORE INSTALLATION.

AK301600 AB

### DISASSEMBLY STEPS

1. SNAP RING
2. INPUT SHAFT
3. SEAL RING
- >>D<< 4. SNAP RING
- >>C<< 5. CLUTCH REACTION PLATE
- >>C<< 6. CLUTCH DISC
- <<A>> >>C<< 7. CLUTCH PLATE
- >>B<< 8. SNAP RING

### DISASSEMBLY STEPS

9. SPRING RETAINER
- >>A<< 10. D-RING
11. RETURN SPRING
- >>A<< 12. UNDERDRIVE CLUTCH PISTON
- >>A<< 13. D-RING
14. D-RING
15. UNDERDRIVE CLUTCH RETAINER

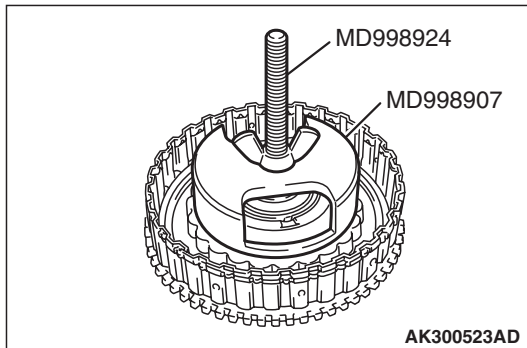
### Required Special Tools:

- MB991629: Spring Compressor
- MD998907: Spring Compressor
- MD998924: Spring Compressor Retainer

## DISASSEMBLY SERVICE POINT

### <<A>> SNAP RING REMOVAL

1. Set special tools MD998907 and MD998924 as shown in the illustration.
2. Compress the return spring and remove the snap ring.



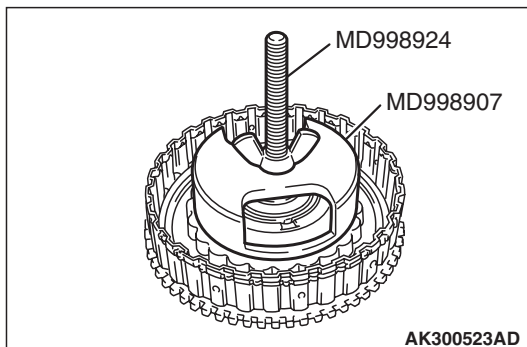
## ASSEMBLY SERVICE POINTS

### >>A<< D-RING INSTALLATION

1. Install a D-ring in the groove in the underdrive clutch retainer and piston, and in the groove in the outside of the spring retainer. Be careful not to twist or damage the D-rings.
2. Apply ATF or petroleum jelly (Vaseline) to the D-rings.

### >>B<< SNAP RING INSTALLATION

1. Place the snap ring on top of the spring retainer, and then set special tool MD998907 and MD998924 as shown in the illustration.
2. Compress the return spring and install the snap ring.

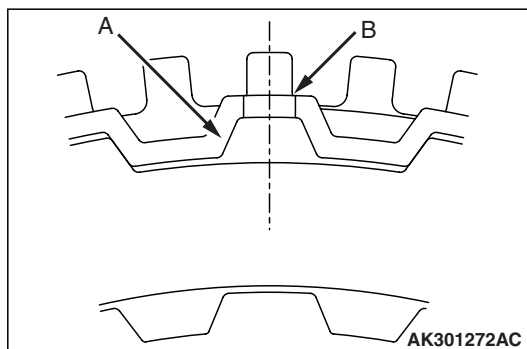


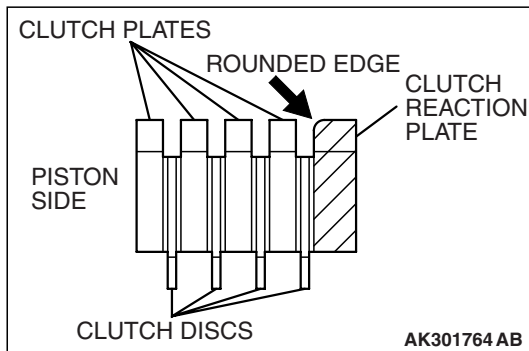
### >>C<< CLUTCH PLATE/CLUTCH DISC/CLUTCH REACTION PLATE INSTALLATION

#### **CAUTION**

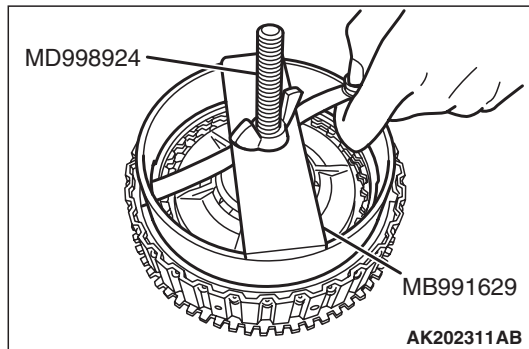
Immerse the clutch disc in ATF before assembling it. If the clutch disc is new, soak it in ATF for at least two hours.

1. Assemble the four clutch plates and four clutch discs one on top of the other inside the underdrive clutch retainer. All four clutch plates should be assembled so that the places with no teeth (marked "A") are aligned with the holes in the retainer (marked "B").





2. Install the clutch reaction plate in the direction shown. Install it the same as the clutch plates, so that the areas with no teeth (marked "A") are aligned with the retainer (marked "B").



### >>D<< SNAP RING INSTALLATION

1. Install the snap ring into the groove of clutch retainer.
2. Set special tools MB991629 and MD998924 as shown in the illustration, and then compress the clutch element.
3. Check that the clearance between the snap ring and the clutch reaction plate is within the standard value. If not within the standard value, select a snap ring to achieve the standard value clearance.

**Standard value: 1.60 – 1.80 mm (0.0630 – 0.0709 inch)**




# REVERSE AND OVERDRIVE CLUTCH

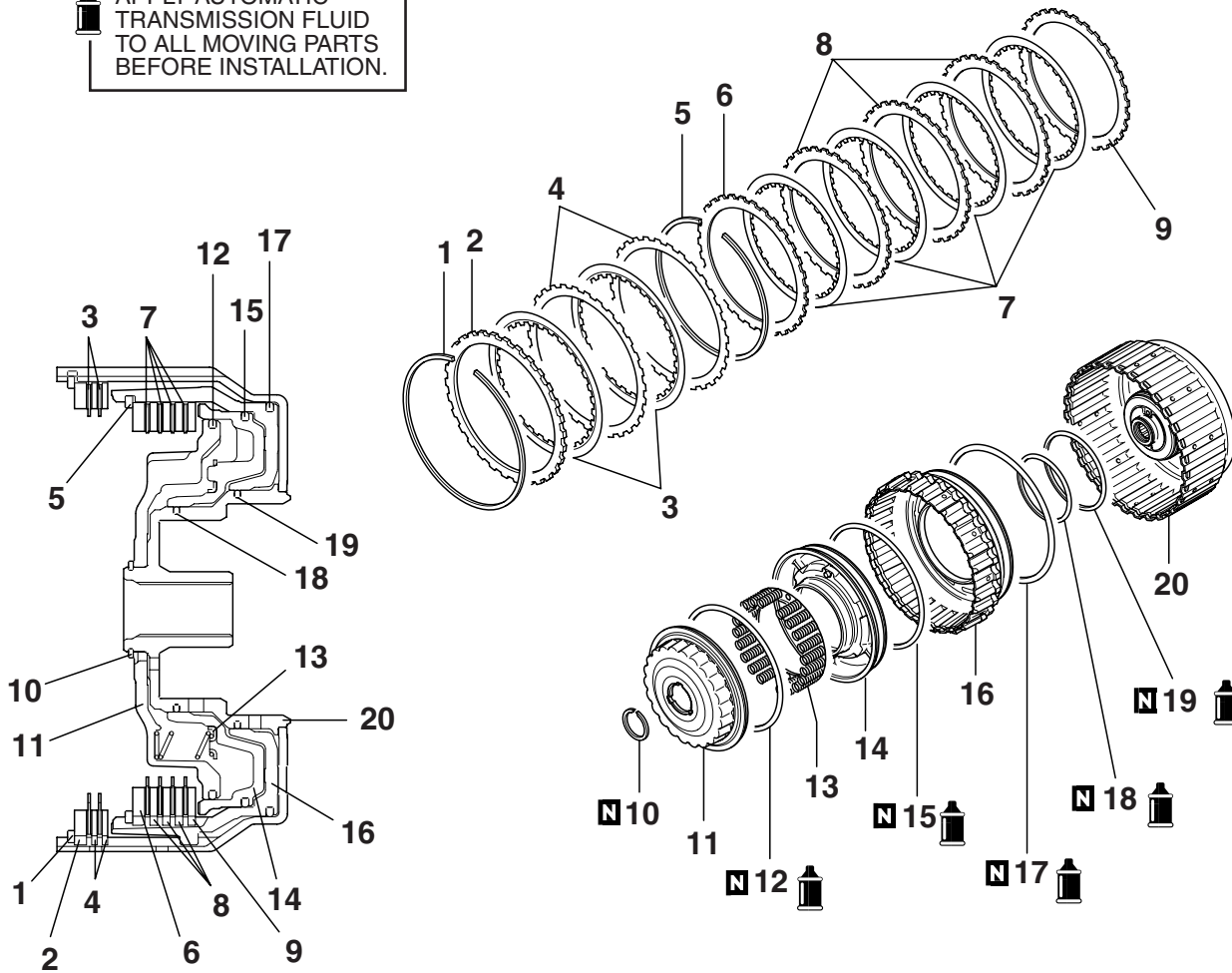
## DISASSEMBLY AND ASSEMBLY

M1233024800194

### NUMBER OF CLUTCH DISCS AND PLATES

|                   | PRESSURE PLATE | CLUTCH DISC | CLUTCH PLATE | CLUTCH REACTION PLATE |
|-------------------|----------------|-------------|--------------|-----------------------|
| Over drive clutch | 1              | 4           | 3            | 1                     |
| Reverse clutch    | –              | 2           | 2            | 1                     |

 APPLY AUTOMATIC TRANSMISSION FLUID TO ALL MOVING PARTS BEFORE INSTALLATION.



AKX01127AC

#### DISASSEMBLY STEPS

- >>G<< 1. SNAP RING
- >>F<< 2. CLUTCH REACTION PLATE
- >>F<< 3. CLUTCH DISC
- >>F<< 4. CLUTCH PLATE
- >>E<< 5. SNAP RING
- >>D<< 6. CLUTCH REACTION PLATE
- >>D<< 7. CLUTCH DISC
- >>D<< 8. CLUTCH PLATE
- >>D<< 9. PRESSURE PLATE
- <<A>> >>C<< 10. SNAP RING

#### DISASSEMBLY STEPS

- 11. SPRING RETAINER
- >>A<< 12. D-RING
- 13. RETURN SPRING
- 14. OVERDRIVE CLUTCH PISTON
- >>A<< 15. D-RING
- >>B<< 16. REVERSE CLUTCH PISTON
- >>A<< 17. D-RING
- >>A<< 18. D-RING
- >>A<< 19. D-RING
- 20. REVERSE CLUTCH RETAINER

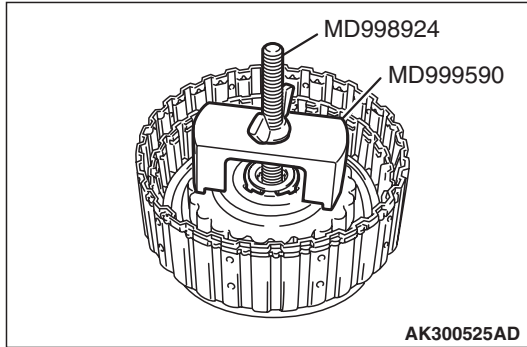
**Required Special Tools:**

- MB991629: Spring Compressor
- MB991789: Spring Compressor
- MD998924: Spring Compressor Retainer
- MD999590: Spring Compressor

**DISASSEMBLY SERVICE POINT**

**<<A>> SNAP RING REMOVAL**

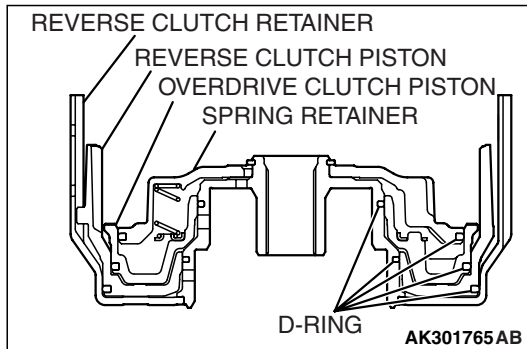
1. Set special tools MD999590 and MD998924 as shown in the illustration.
2. Compress the return spring and remove the snap ring.



**ASSEMBLY SERVICE POINTS**

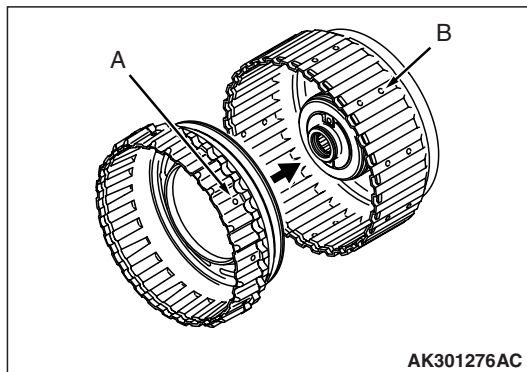
**>>A<< D-RING INSTALLATION**

1. Install D-rings in the grooves on the reverse clutch retainer, piston, overdrive clutch piston and spring retainer. Be careful not to twist or damage the D-rings.
2. Apply ATF or petroleum jelly (Vaseline) to D-rings.

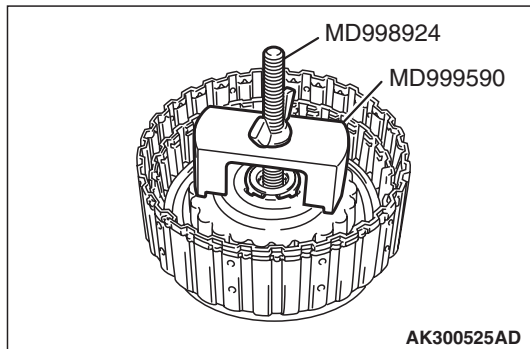


**>>B<< REVERSE CLUTCH PISTON INSTALLATION**

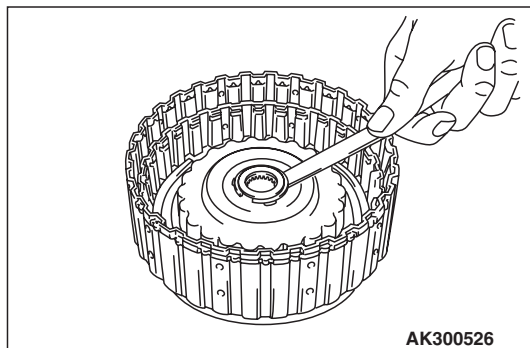
Align the outer circumference holes ("A" and "B") of the reverse clutch piston and the reverse clutch retainer to assemble them.



### >>C<< SNAP RING INSTALLATION



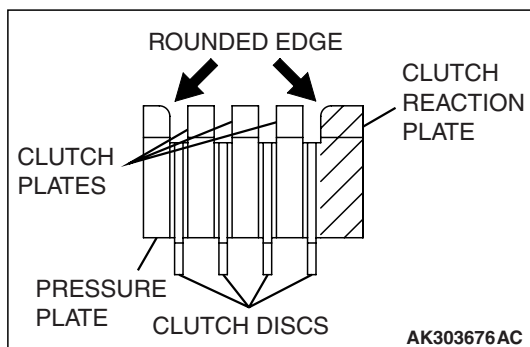
1. Set special tools MD999590 and MD998924 as shown in the illustration.
2. Tighten the nut on the special tool to press down on the spring retainer and reverse clutch retainer, and then install the snap ring.



3. Check that the clearance between the snap ring and the return spring retainer is within the standard value. If not within the standard value, select a snap ring to achieve the standard value clearance.

**Standard value: 0 – 0.09 mm (0 – 0.0035 inch)**

### >>D<< PRESSURE PLATE/CLUTCH PLATE/CLUTCH DISC/CLUTCH REACTION PLATE INSTALLATION

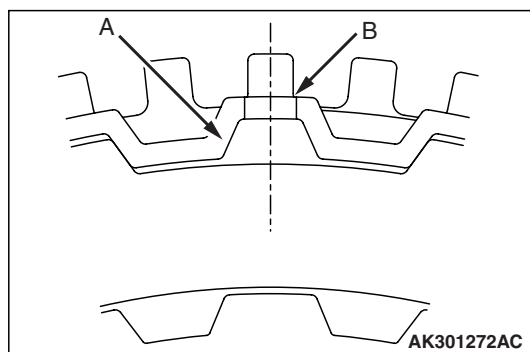


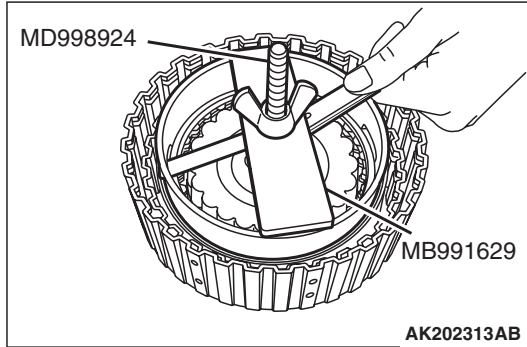
1. Install the pressure plate in the direction shown

**⚠ CAUTION**

**Immerse the clutch disc in ATF before assembling it. If the clutch disc is new, soak it in ATF for more than two hours.**

2. Assemble the clutch discs and clutch plates, one on top of the other, inside the reverse clutch piston. Assemble both clutch plates so that the places with no teeth (marked "A") are aligned with the holes in the retainer (marked "B").
3. Install the clutch reaction plate in the direction shown.



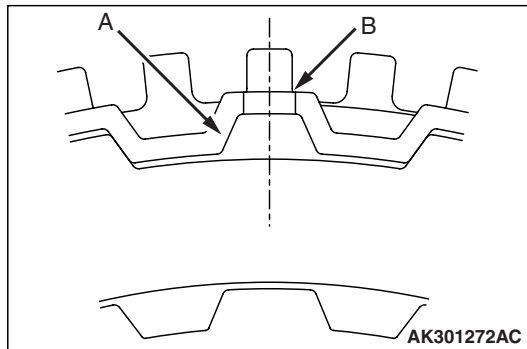
**>>E<< SNAP RING INSTALLATION**

1. Install the snap ring into the groove in the reverse clutch piston.
2. Set special tools MB991629 and MD998924 as shown in the illustration, and compress the clutch element.
3. Check that the clearance between the snap ring and the clutch reaction plate is within the standard value. If not within the standard value, select a snap ring to achieve the standard value clearance.

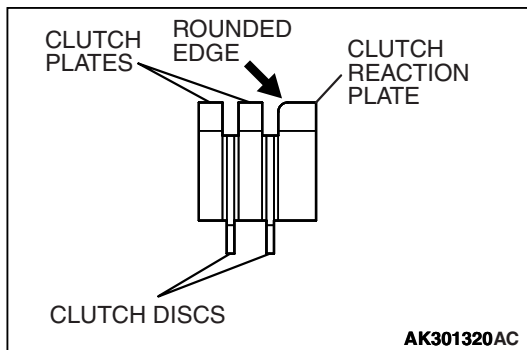
**Standard value: 1.6 – 1.8 mm (0.0630 – 0.0709 inch)**

**>>F<< CLUTCH PLATE/CLUTCH DISC/CLUTCH REACTION PLATE INSTALLATION****⚠ CAUTION**

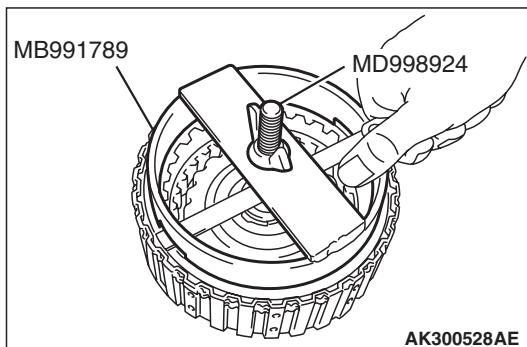
**Immerse the clutch disc in ATF before assembling it. If the clutch disc is new, soak it in ATF for at least two hours.**



1. Assemble two clutch discs and two clutch plates, one on top of the other, inside the reverse clutch retainer. Assemble both clutch plates so that the places with no teeth (marked "A") are aligned with the holes in the retainer (marked "B").



2. Install the clutch reaction plate in the direction shown. Install it the same as the clutch plate, so that the places with no teeth (marked "A") are aligned with the holes in the retainer (marked "B").

**>>G<< SNAP RING INSTALLATION**

1. Install the snap ring into the groove of reverse clutch retainer.
2. Set special tools MB991789 and MD998924 as shown in the illustration, and compress the clutch element.
3. Check that the clearance between the snap ring and the clutch reaction plate is within the standard value. If not within the standard value, select a snap ring to achieve the standard value clearance.

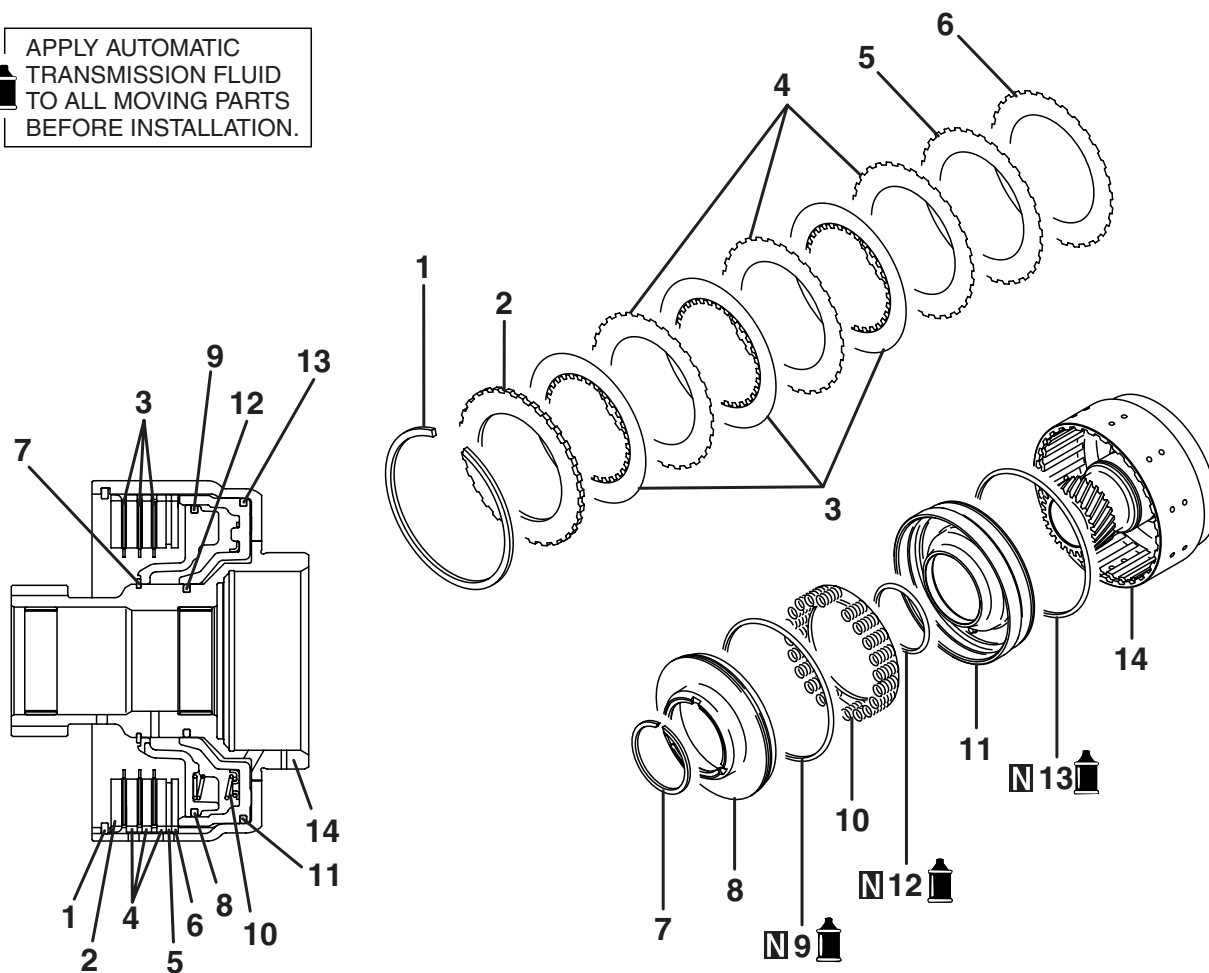
**Standard value: 1.5 – 1.7 mm (0.0591 – 0.0669 inch)**

# DIRECT CLUTCH

## DISASSEMBLY AND ASSEMBLY

M1233019400060

APPLY AUTOMATIC TRANSMISSION FLUID TO ALL MOVING PARTS BEFORE INSTALLATION.



AK403291AB

### DISASSEMBLY STEPS

- >>D<< 1. SNAP RING
- >>C<< 2. CLUTCH REACTION PLATE
- >>C<< 3. CLUTCH DISC
- >>C<< 4. CLUTCH PLATE
- >>C<< 5. CUSHION PLATE
- >>C<< 6. INTERMEDIATE PLATE
- <<A>> >>B<< 7. SNAP RING

### DISASSEMBLY STEPS

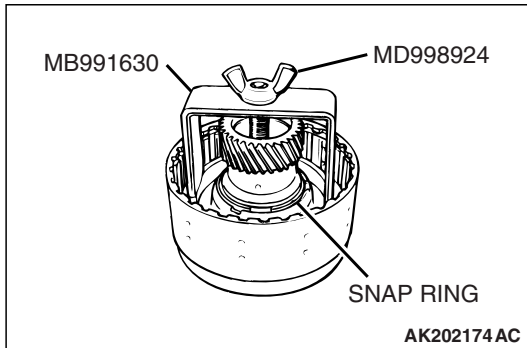
- >>A<< 8. SPRING RETAINER
- >>A<< 9. D-RING
- >>A<< 10. RETURN SPRING
- >>A<< 11. UNDERDRIVE CLUTCH PISTON
- >>A<< 12. D-RING
- >>A<< 13. D-RING
- >>A<< 14. DIRECT CLUTCH RETAINER

### Required Special Tools:

- MB991630: Spring Compressor
- MD998924: Spring compressor retainer

**DISASSEMBLY SERVICE POINT****<<A>> SNAP RING REMOVAL**

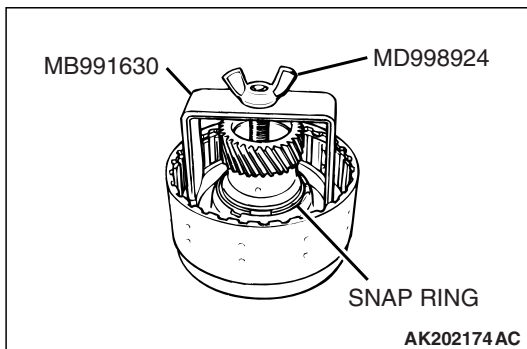
1. Set special tools MD991630 and MD998924 as shown in the illustration.
2. Compress the return spring and remove the snap ring.

**ASSEMBLY SERVICE POINTS****>>A<< D-RING INSTALLATION**

Apply ATF, blue petrolatum jelly or white Vaseline to the D-rings and handle them carefully not to damage them during installation.

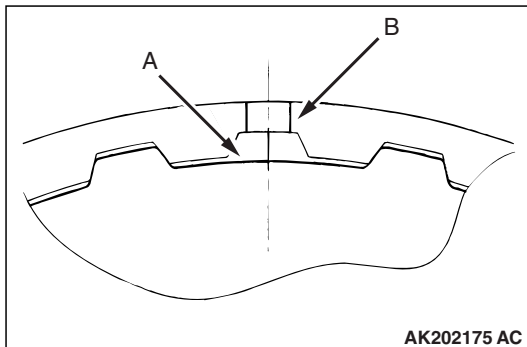
**>>B<< SNAP RING INSTALLATION**

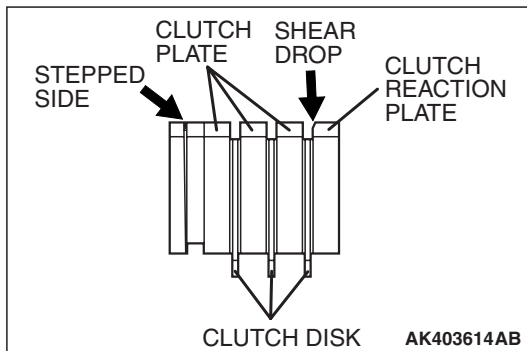
1. Set special tools MB991630 and MD998924 as shown in the illustration.
2. Using special tool to press down on the spring retainer, and then install the snap ring.

**>>C<< INTERMEDIATE PLATE/CUSHION PLATE/CLUTCH PLATE/CLUTCH DISC/CLUTCH REACTION PLATE INSTALLATION****⚠ CAUTION**

Immerse the clutch disc in ATF before assembling it. If the clutch disc is new, soak it in ATF for at least two hours.

1. Assemble the intermediate plate, cushion plate, clutch plates, clutch discs, and clutch reaction plates with their non-toothed portions (A in the illustration) aligned with the hole (B in the illustration) formed in a crest of the direct clutch retainer.





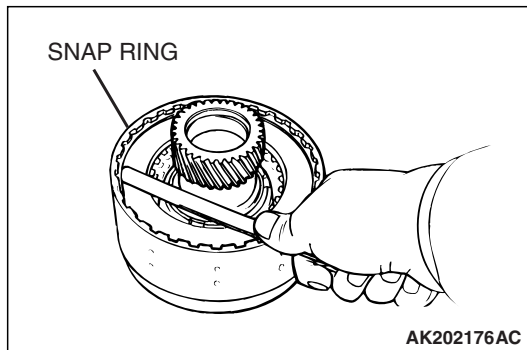
2. Orient the clutch reaction plate and intermediate plate as shown in the illustration when it is installed.

### >>D<< SNAP RING INSTALLATION

1. Install the snap ring.
2. Press down the clutch reaction plate with a force of 49 N (11 lb) on its entire circumference.
3. Check the clearance between the snap ring and clutch reaction plate. If the clearance is not within the standard value range, make adjustment by selecting a snap ring of an appropriate thickness.

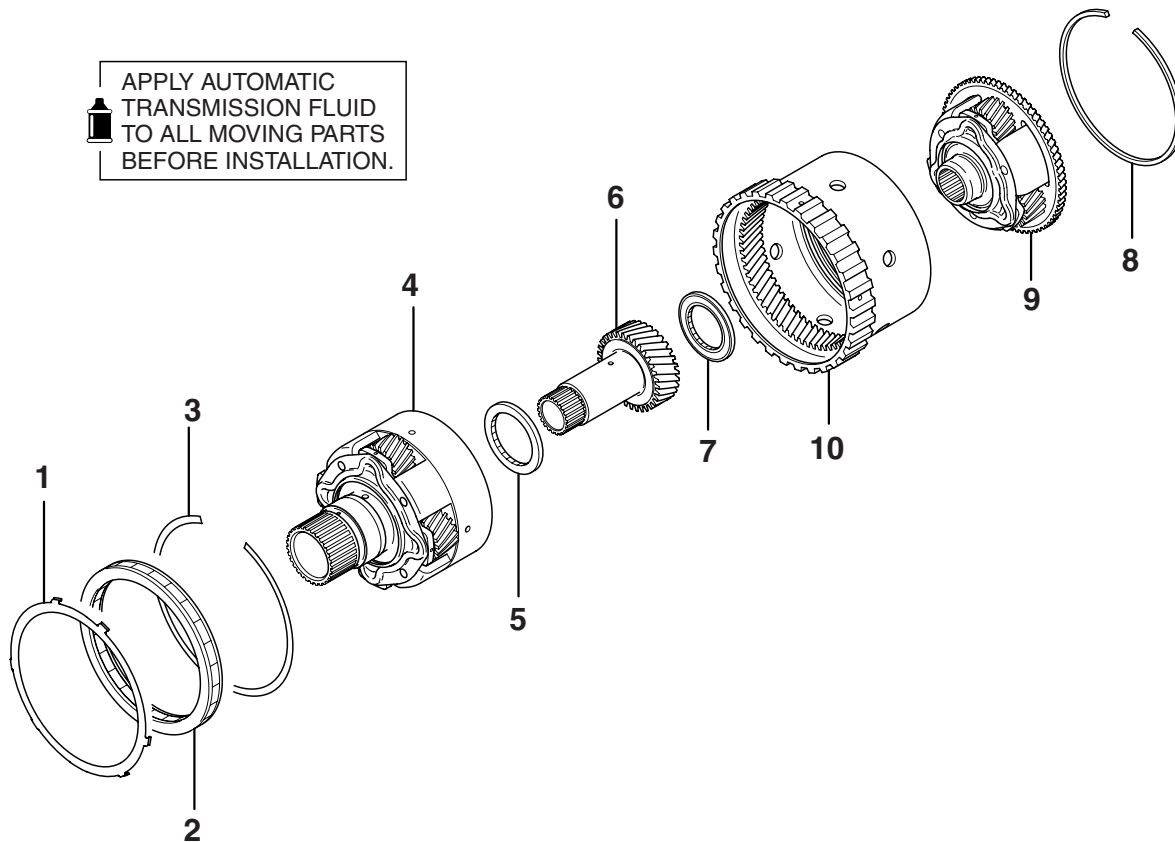
**Standard value:**

**0.6 – 0.8 mm (0.02362 – 0.03149 inch)**



**PLANETARY GEAR****DISASSEMBLY AND ASSEMBLY**

M1233002500173



AK301602AB

**DISASSEMBLY STEPS**

- >>B<< 1. STOPPER PLATE  
2. ONE-WAY CLUTCH  
3. SNAP RING  
4. OUTPUT PLANETARY CARRIER  
>>A<< 5. THRUST BEARING NUMBER 3  
6. UNDERDRIVE SUN GEAR

**DISASSEMBLY STEPS**

- >>A<< 7. THRUST BEARING NUMBER 4  
8. SNAP RING  
9. OVERDRIVE PLANETARY CARRIER  
10. OVERDRIVE ANNULUS GEAR



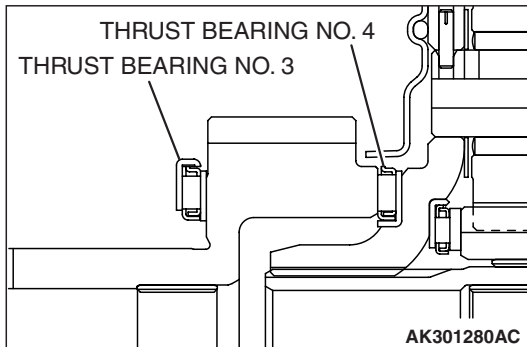
### ASSEMBLY SERVICE POINTS

#### >>A<< THRUST BEARING NUMBER 3 AND THRUST BEARING NUMBER 4 INSTALLATION

**⚠ CAUTION**

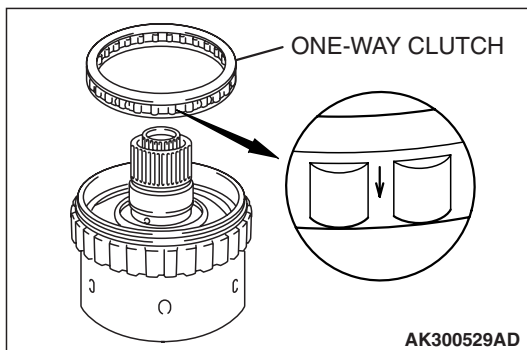
Use care to install the thrust bearings in the correct direction.

Check the installation direction of thrust bearings number 3 and 4, and install them as shown.



#### >>B<< ONE-WAY CLUTCH INSTALLATION

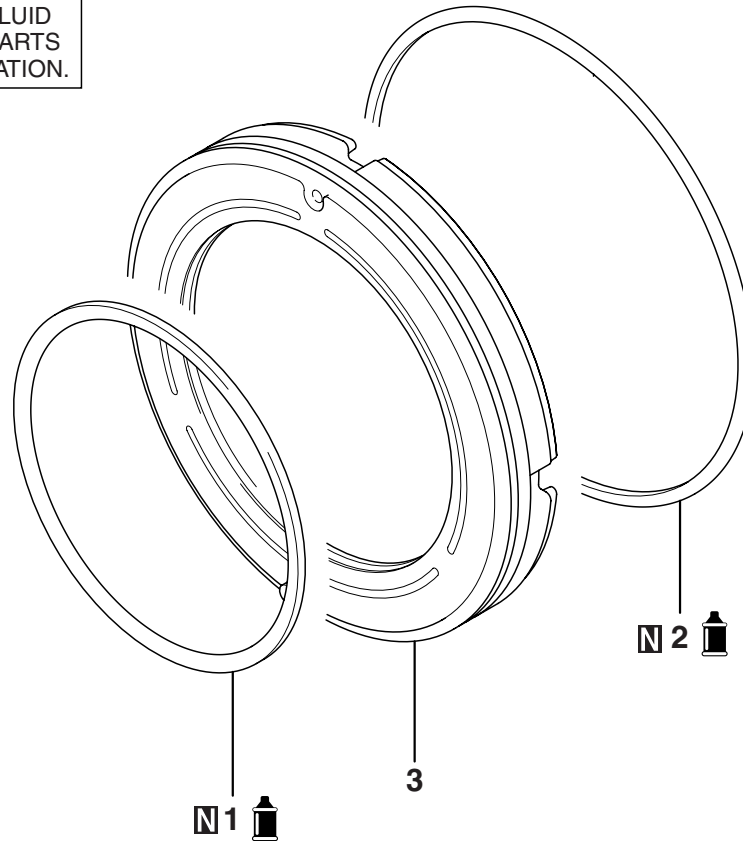
Insert the one-way clutch into the overdrive annulus gear so that the arrow points towards the output planetary carrier.



**LOW-REVERSE BRAKE****DISASSEMBLY AND ASSEMBLY**

M1233003700211

APPLY AUTOMATIC  
TRANSMISSION FLUID  
TO ALL MOVING PARTS  
BEFORE INSTALLATION.



AK301603AB

- >>A<< DISASSEMBLY STEPS**
1. D-RING

- >>A<< DISASSEMBLY STEPS**
2. D-RING
  3. LOW-REVERSE BRAKE PISTON

**ASSEMBLY SERVICE POINT****>>A<< D-RING INSTALLATION**

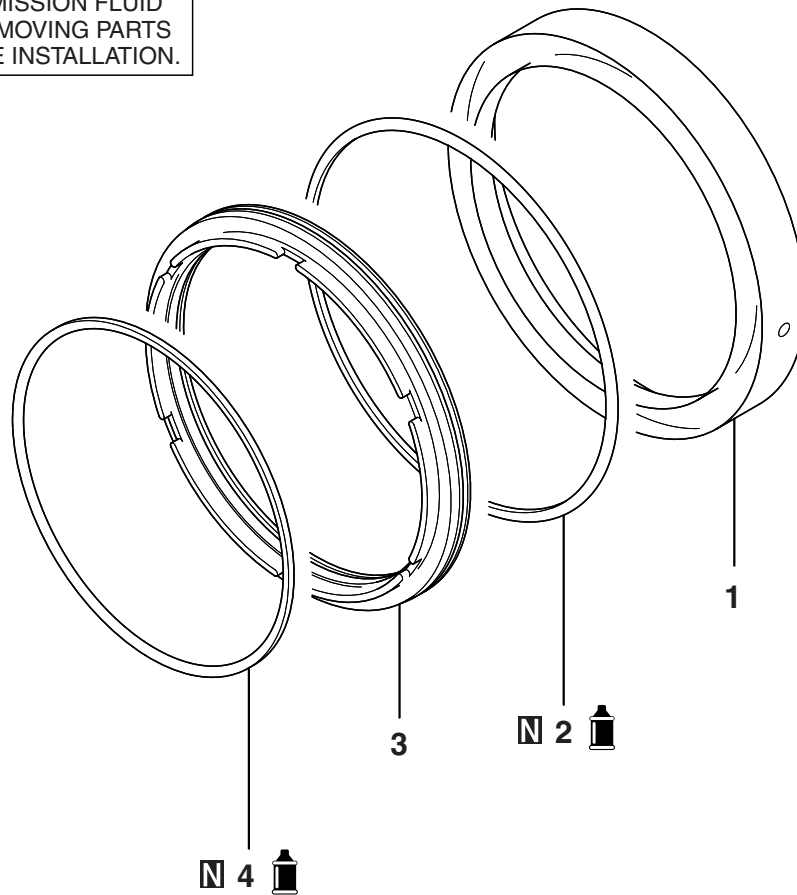
Apply ATF or petroleum jelly (Vaseline) to the D-ring, and install carefully.

# SECOND BRAKE

## DISASSEMBLY AND ASSEMBLY

M1233025400122

APPLY AUTOMATIC  
TRANSMISSION FLUID  
TO ALL MOVING PARTS  
BEFORE INSTALLATION.



AK301604 AB

- DISASSEMBLY STEPS**
- >>A<< 1. SECOND BRAKE RETAINER  
2. D-RING

- DISASSEMBLY STEPS**
- >>A<< 3. SECOND BRAKE PISTON  
4. D-RING

### ASSEMBLY SERVICE POINT

#### >>A<< D-RING INSTALLATION

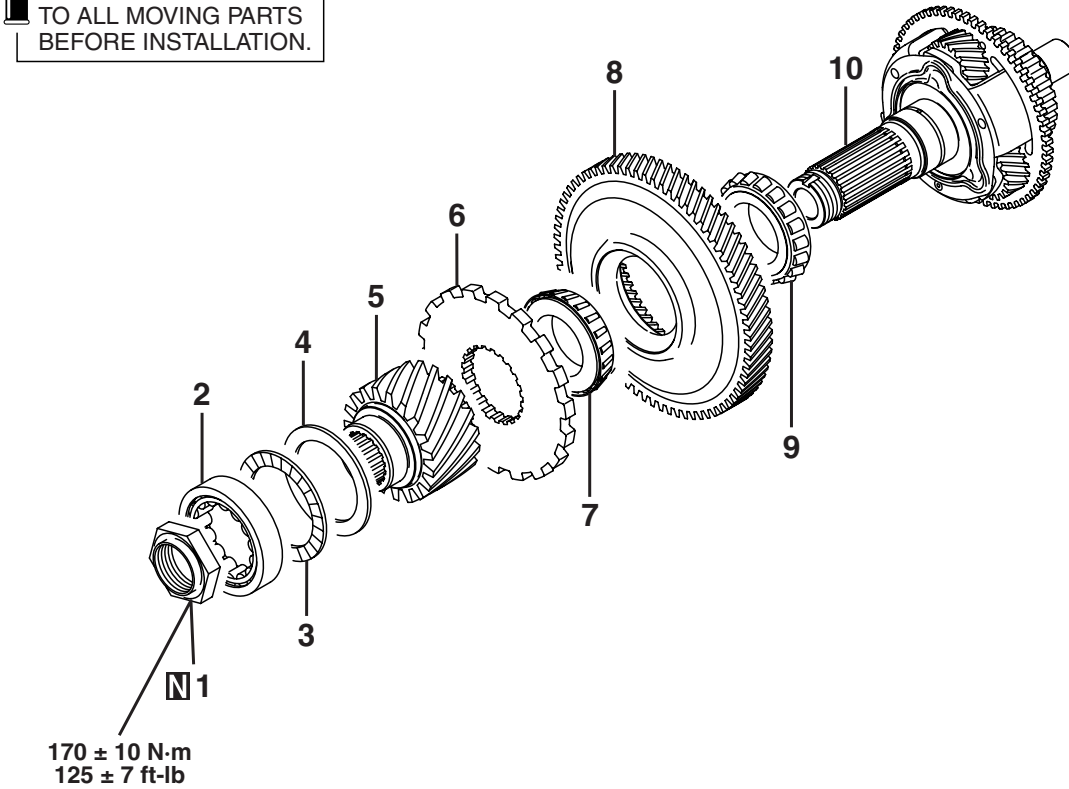
Apply ATF or petroleum jelly (Vaseline) to the D-ring, and install carefully.

# DIRECT PLANETARY CAREER

## DISASSEMBLY AND ASSEMBLY

M1233026300065

APPLY AUTOMATIC TRANSMISSION FLUID TO ALL MOVING PARTS BEFORE INSTALLATION.



AK403295AB

- Disassembly steps**
- <<A>> >>D<< 1. LOCK NUT
  - 2. ROLLER BEARING
  - 3. THRUST BEARING NO.9
  - <<B>> >>C<< 4. THRUST RACE NO.10
  - <<B>> >>C<< 5. OUTPUT GEAR
  - <<B>> >>C<< 6. PARKING GEAR

- Disassembly steps (Continued)**
- <<C>> >>B<< 7. TAPER ROLLER BEARING
  - 8. TRANSFER DRIVEN GEAR AND DIRECT ANNULUS GEAR
  - <<D>> >>A<< 9. TAPER ROLLER BEARING
  - 10. DIRECT PLANETARY CARRIER

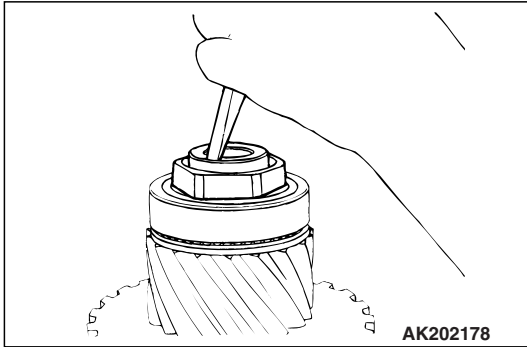
**Required Special Tools:**

- MD998812: Installer Cap
- MD998813: Installer 100
- MD998824: Installer Adapter (50)
- MD998834: Special Spanner
- MD998917: Bearing remover

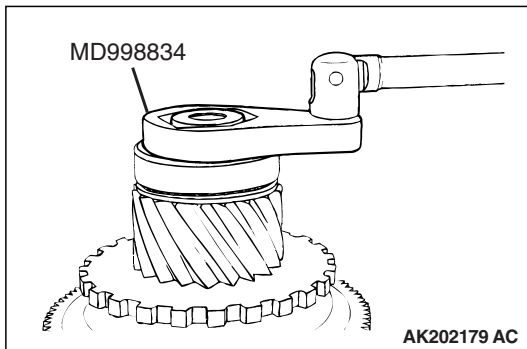
## DISASSEMBLY SERVICE POINTS

### <<A>> LOCK NUT REMOVAL

1. Un stake staking of the lock nut.

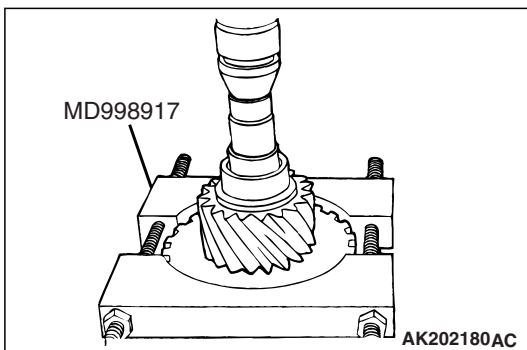


2. Using special tool MD998834 to remove the lock nut.



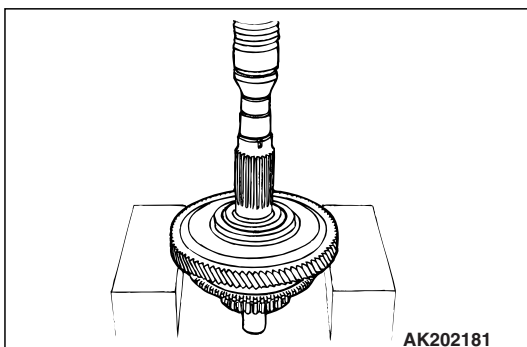
### <<B>> OUTPUT GEAR/PARKING GEAR REMOVAL

Using special tool MD998917 to remove the output gear and parking gear.



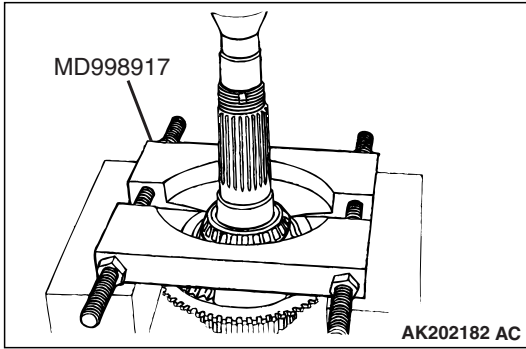
### <<C>> TAPER ROLLER BEARING REMOVAL

1. Support the transfer driven gear as shown in the illustration.
2. Push the shaft of the direct planetary carrier to remove the taper roller bearing and gear.



**<<D>> TAPER ROLLER BEARING REMOVAL**

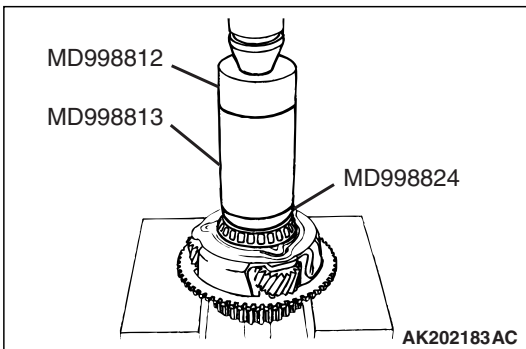
1. Support the transfer driven gear as shown in the illustration.
2. Using special tool MD998917 to remove the taper roller bearing.



**ASSEMBLY SERVICE POINTS**

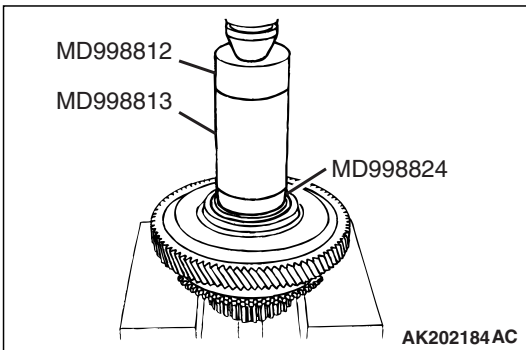
**>>A<< TAPER ROLLER BEARING INSTALLATION**

1. Set the transfer driven gear as shown in the illustration.
2. Using special tools MD998812, MD998813 and MD998824, press in the taper roller bearing.



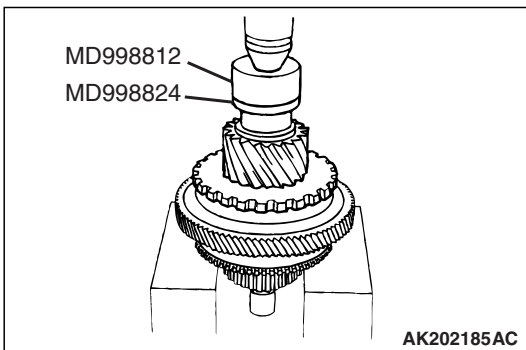
**>>B<< TAPER ROLLER BEARING INSTALLATION**

1. Set the transfer driven gear as shown in the illustration.
2. Using special tools MD998812, MD998813 and MD998824, press in the taper roller bearing.



**>>C<< OUTPUT GEAR/PARKING GEAR INSTALLATION**

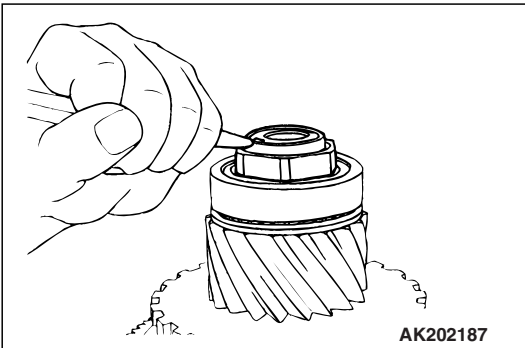
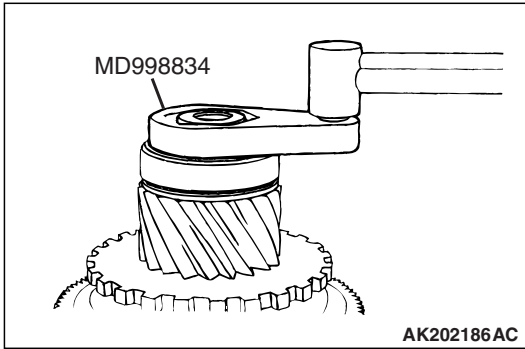
1. Using special tools MD998812 and MD998824, press in the parking gear.



>>D<< LOCK NUT INSTALLATION

1. Apply ATF on a new locknut, and use special tool MD998834 to tighten the specified torque. Then turn back on turn, and tighten to the specified torque.

**Tightening torque:  $170 \pm 10$  N·m ( $125 \pm 7$  ft-lb)**




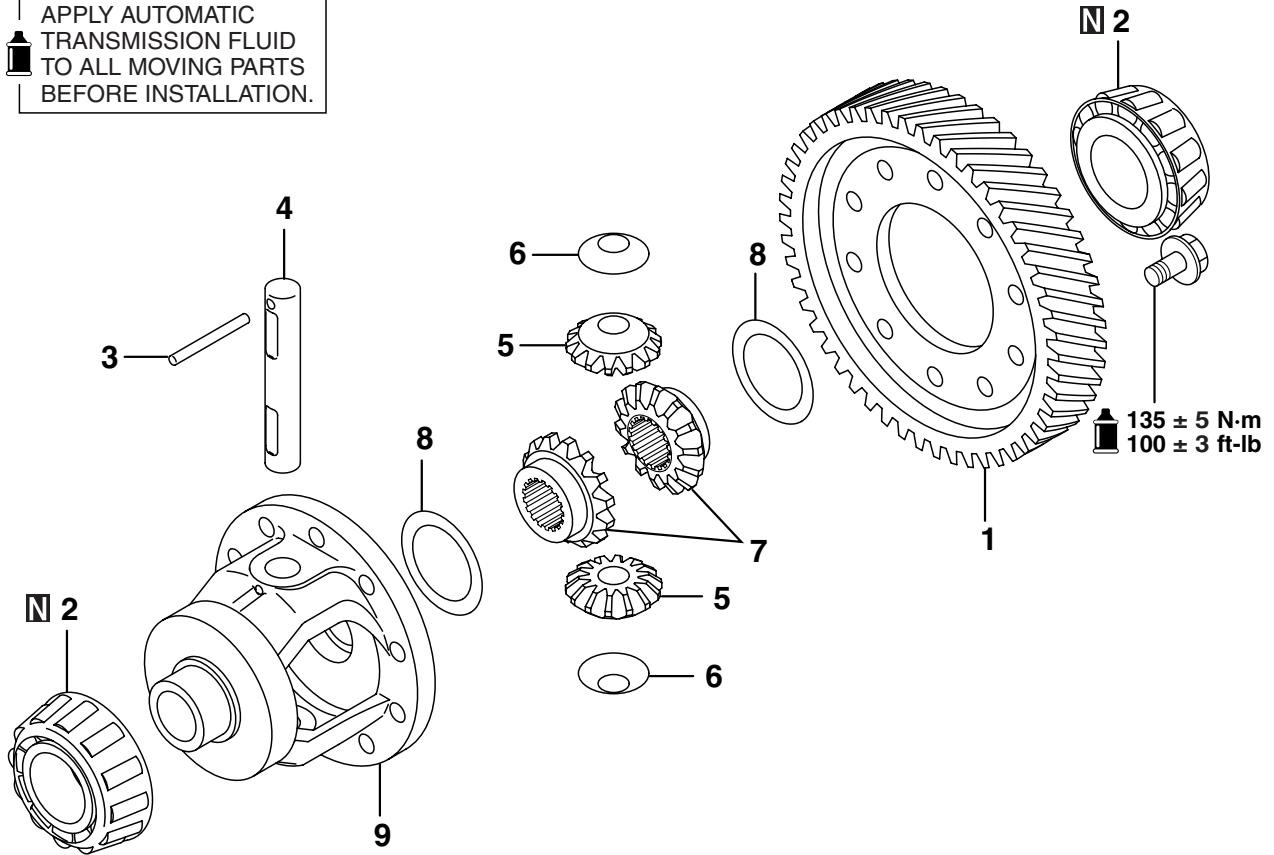
2. Use a punch to stake the lock nut at two places.

# DIFFERENTIAL

## DISASSEMBLY AND ASSEMBLY

M1233003100361

 APPLY AUTOMATIC TRANSMISSION FLUID TO ALL MOVING PARTS BEFORE INSTALLATION.



AK301606AB

- DISASSEMBLY STEPS**
- >>D<< 1. DIFFERENTIAL DRIVE GEAR
  - <<A>> >>C<< 2. TAPER ROLLER BEARINGS
  - >>B<< 3. LOCK PIN
  - >>A<< 4. PINION SHAFT
  - >>A<< 5. PINIONS

- DISASSEMBLY STEPS**
- >>A<< 6. WASHERS
  - >>A<< 7. SIDE GEARS
  - >>A<< 8. SPACERS
  - 9. DIFFERENTIAL CASE

**Required Special Tools:**

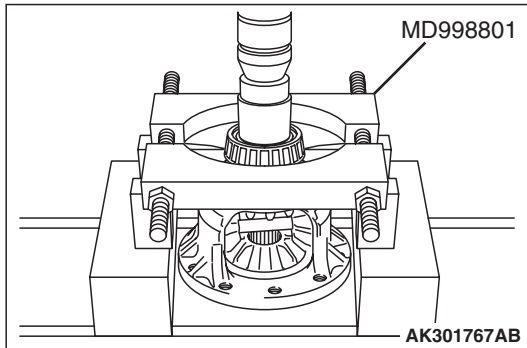
- MD998801: Bearing Remover
- MD998812: Installer Cap
- MD998820: Installer Adapter (42)



## DISASSEMBLY SERVICE POINT

### <<A>> TAPER ROLLER BEARING REMOVAL

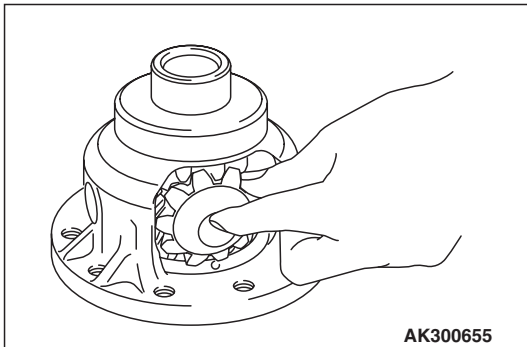
1. Support the taper roller bearing with special tool MD998801, and then set them on the press.
2. Push down on the differential case with the press to remove the bearing.



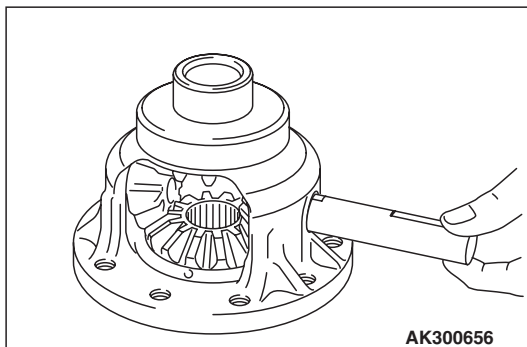
## ASSEMBLY SERVICE POINTS

### >>A<< SPACER, SIDE GEAR, WASHER, PINION AND PINION SHAFT INSTALLATION

1. Mount a spacer on the back surface of the side gear, and then install the side gear in the differential case.  
*NOTE: When a new side gear is to be installed, use a medium thickness spacer [0.93 to 1.00 mm (0.0366 to 0.0395 inch)].*
2. Set the washer on the back of each pinion, and put both pinions simultaneously in mesh with the side gears. While rotating them, install them into position.



3. Insert the pinion shaft.



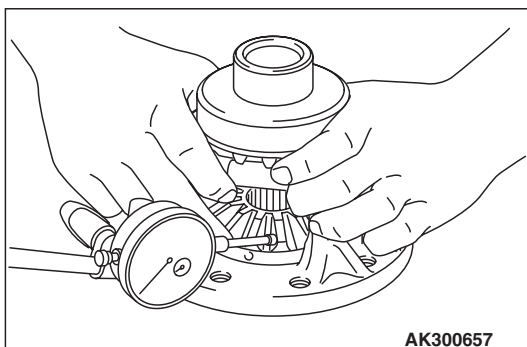
4. Measure the backlash between the side gear and pinion.

**Standard value:**

**0.025 – 0.150 mm (0.0010 – 0.0059 inch)**

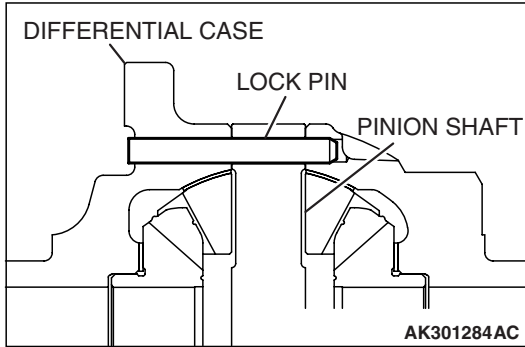
5. If the backlash is out of the standard value, select a spacer and re-measure the backlash.

*NOTE: Adjust until the backlash on both sides are equal.*



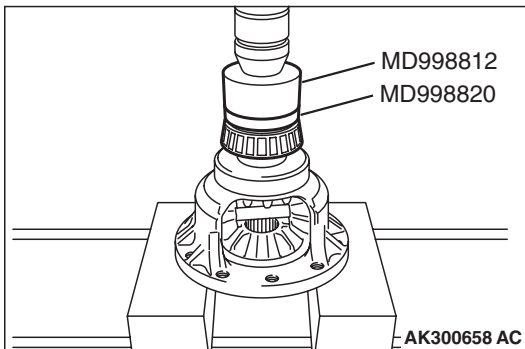
## &gt;&gt;B&lt;&lt; LOCK PIN INSTALLATION

Install the lock pin so that it will be oriented in the direction shown.



## &gt;&gt;C&lt;&lt; TAPER ROLLER BEARING INSTALLATION

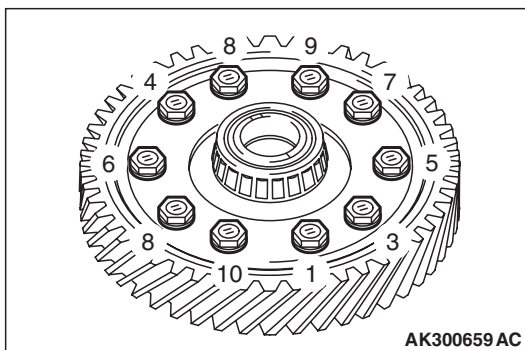
Using special tools MD998812 and MD998820, press in the taper roller bearing.



## &gt;&gt;D&lt;&lt; DIFFERENTIAL DRIVE GEAR INSTALLATION

Apply ATF to the bolt, and then tighten the bolts to the specified torque in the sequence shown.

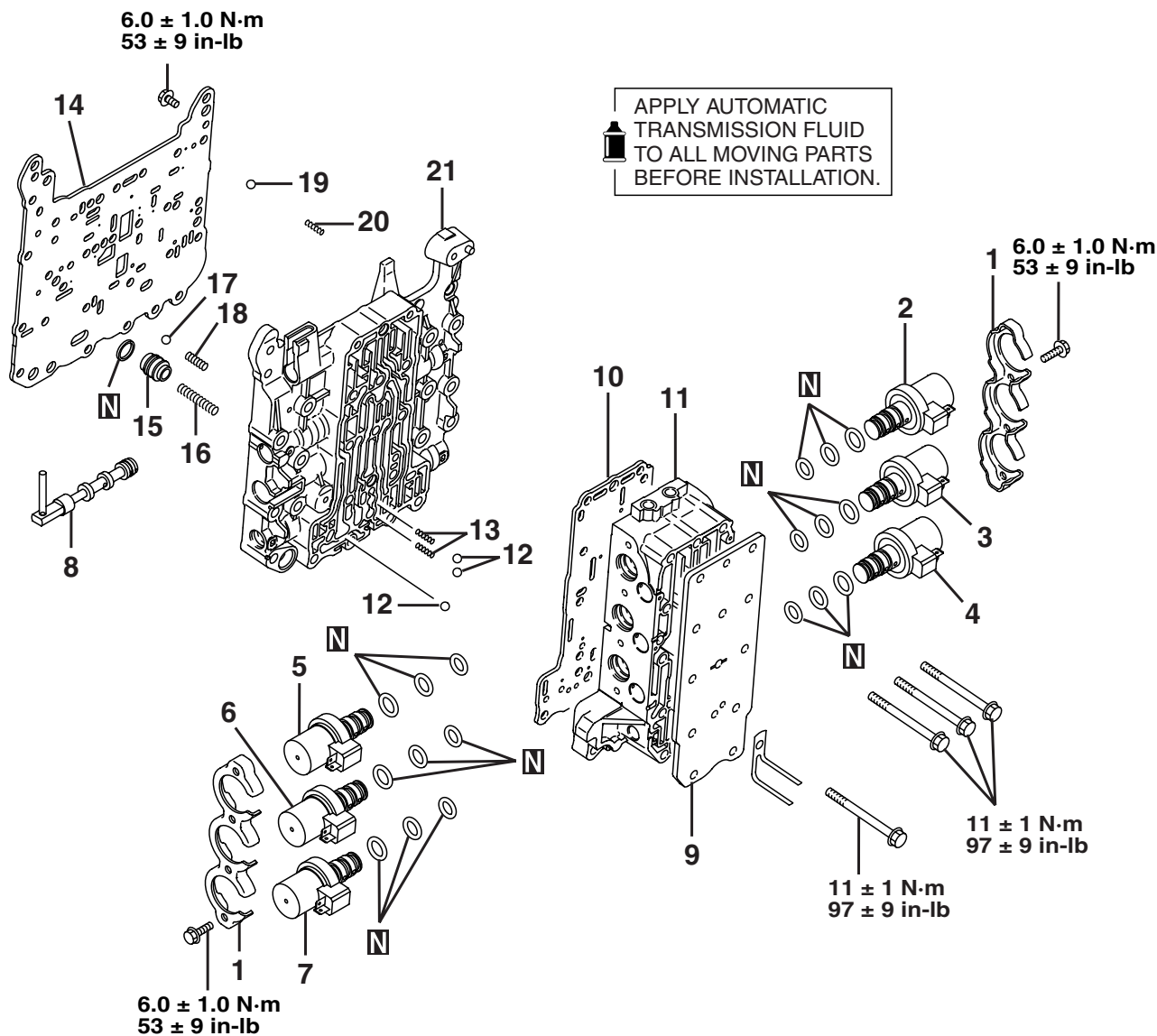
**Tightening torque: 135 ± 5 N·m (100 ± 3 ft-lb)**



# VALVE BODY

## DISASSEMBLY AND ASSEMBLY

M1233005500309



AK403294AB

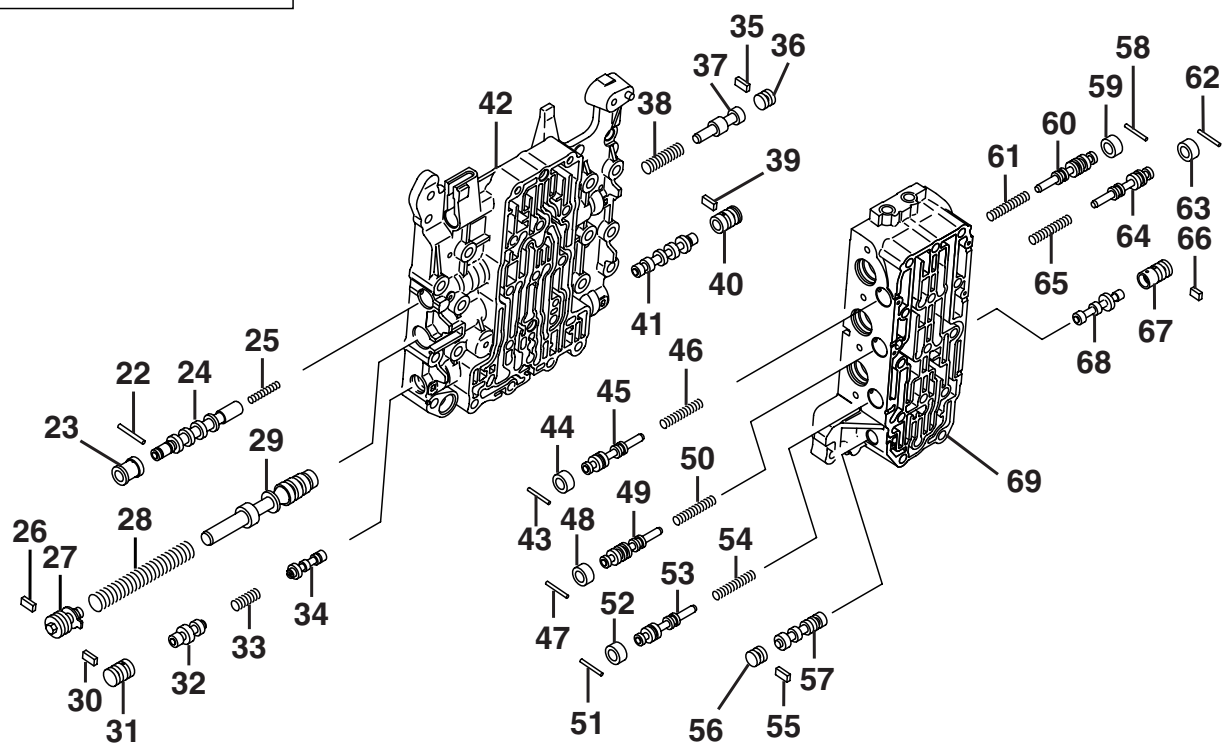
### DISASSEMBLY STEPS

- |       |       |     |  |
|-------|-------|-----|--|
| <<A>> | >>C<< | 1.  | SOLENOID VALVE SUPPORT                         |
| <<A>> | >>C<< | 2.  | UNDERDRIVE SOLENOID VALVE                      |
| <<A>> | >>C<< | 3.  | SECOND SOLENOID VALVE                          |
| <<A>> | >>C<< | 4.  | TORQUE CONVERTER CLUTCH CONTROL SOLENOID VALVE |
| <<A>> | >>C<< | 5.  | OVERDRIVE SOLENOID VALVE                       |
| <<A>> | >>C<< | 6.  | LOW-REVERSE SOLENOID VALVE                     |
| <<A>> | >>C<< | 7.  | REDUCTION SOLENOID VALVE                       |
|       |       | 8.  | MANUAL VALVE                                   |
|       |       | 9.  | COVER  |
|       |       | 10. | PLATE  |
|       |       | 11. | OUTSIDE VALVE BODY ASSEMBLY                    |

### DISASSEMBLY STEPS

- |       |     |                                 |
|-------|-----|---------------------------------|
| >>B<< | 12. | STEEL BALL (ORIFICE CHECK BALL) |
| >>B<< | 13. | SPRING                          |
|       | 14. | PLATE                           |
| >>A<< | 15. | DAMPING VALVE                   |
| >>A<< | 16. | DAMPING VALVE SPRING            |
| >>A<< | 17. | STEEL BALL (LINE RELIEF)        |
| >>A<< | 18. | SPRING                          |
| >>A<< | 19. | STEEL BALL (ORIFICE CHECK BALL) |
| >>A<< | 20. | SPRING                          |
|       | 21. | INSIDE VALVE BODY ASSEMBLY      |

APPLY AUTOMATIC  
TRANSMISSION FLUID  
TO ALL MOVING PARTS  
BEFORE INSTALLATION.



AK403293AB

**DISASSEMBLY STEPS**

22. ROLLER
23. TORQUE CONVERTER CLUTCH CONTROL VALVE SLEEVE
24. TORQUE CONVERTER CLUTCH CONTROL VALVE
25. TORQUE CONVERTER CLUTCH CONTROL VALVE SPRING
26. PLATE
27. SCREW
28. REGULATOR VALVE SPRING
29. REGULATOR VALVE
30. PLATE
31. FAIL-SAFE VALVE A SLEEVE
32. FAIL-SAFE VALVE A2
33. FAIL-SAFE VALVE A SPRING
34. FAIL-SAFE VALVE A1
35. PLATE
36. PLUG
37. TORQUE CONVERTER VALVE
38. TORQUE CONVERTER VALVE SPRING
39. PLATE

**DISASSEMBLY STEPS**

40. FAIL-SAFE VALVE B SLEEVE
41. FAIL-SAFE VALVE B
42. INSIDE VALVE BODY
43. ROLLER
44. OVERDRIVE PRESSURE CONTROL VALVE SLEEVE
45. OVERDRIVE PRESSURE CONTROL VALVE
46. OVERDRIVE PRESSURE CONTROL VALVE SPRING
47. ROLLER
48. LOW-REVERSE PRESSURE CONTROL VALVE SLEEVE
49. LOW-REVERSE PRESSURE CONTROL VALVE
50. LOW-REVERSE PRESSURE CONTROL VALVE SPRING
51. ROLLER
52. REDUCTION PRESSURE CONTROL VALVE SLEEVE
53. REDUCTION PRESSURE CONTROL VALVE

**DISASSEMBLY STEPS**

54. REDUCTION PRESSURE CONTROL VALVE SPRING
55. PLATE
56. PLUG
57. SWITCHING VALVE
58. ROLLER
59. UNDERDRIVE PRESSURE CONTROL VALVE SLEEVE
60. UNDERDRIVE PRESSURE CONTROL VALVE
61. UNDERDRIVE PRESSURE CONTROL VALVE SPRING
62. ROLLER
63. SECOND PRESSURE CONTROL VALVE SLEEVE
64. SECOND PRESSURE CONTROL VALVE
65. SECOND PRESSURE CONTROL VALVE SPRING
66. PLATE
67. FAIL-SAFE VALVE C SLEEVE
68. FAIL-SAFE VALVE C
69. FAIL-SAFE VALVE BODY

**DISASSEMBLY SERVICE POINT**

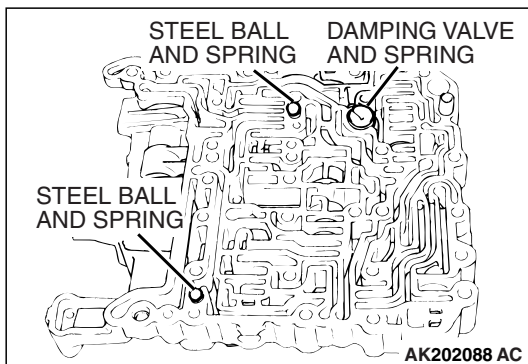
**<<A>> SOLENOID VALVES REMOVAL**

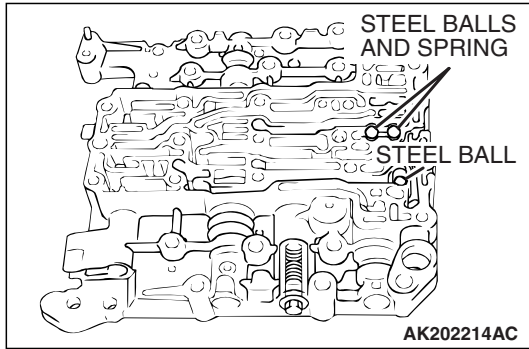
Mark the solenoid valves with white paint to make assembly easier.

**ASSEMBLY SERVICE POINTS**

**>>A<< SPRING, STEEL BALL, DAMPING VALVE AND DAMPING VALVE SPRING INSTALLATION**

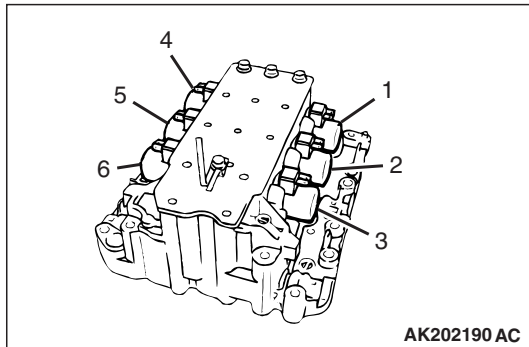
1. Install the steel balls (two pieces) and springs (two pieces) to the inside valve body as shown.
2. Install the damping valve and spring to the inside valve body as shown.





**>>B<< SPRING AND STEEL BALL INSTALLATION**

Install the steel balls (three pieces) and springs (two pieces) to the inside valve body as shown.



**>>C<< SOLENOID VALVES INSTALLATION**


1. Apply ATF or petroleum jelly (Vaseline) to the O-ring and install carefully.
2. Install the solenoid valves by referring to the marks applied during disassembly.

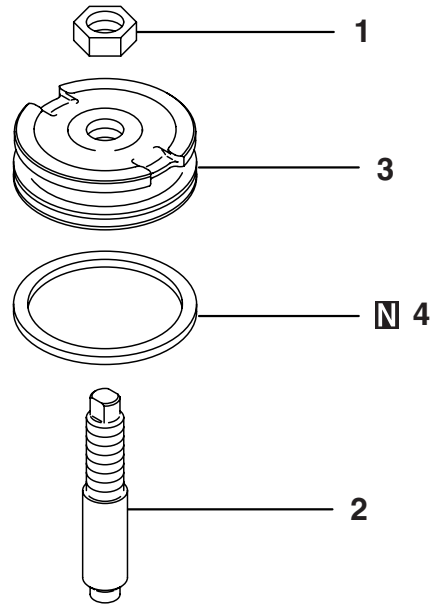
| NO. | NAME   |
|-----|--|
| 1   | Underdrive solenoid valve                      |
| 2   | Second solenoid valve                          |
| 3   | Torque converter clutch control solenoid valve |
| 4   | Overdrive solenoid valve                       |
| 5   | Low-reverse solenoid valve                     |
| 6   | Reduction solenoid valve                       |

# REDUCTION BRAKE PISTON

## DISASSEMBLY AND ASSEMBLY

M1233026600055

 APPLY AUTOMATIC  
TRANSMISSION FLUID  
TO ALL MOVING PARTS  
BEFORE INSTALLATION.



AK403296AB

### DISASSEMBLY STEPS

1. NUT
2. ADJUSTING ROD

### DISASSEMBLY STEPS

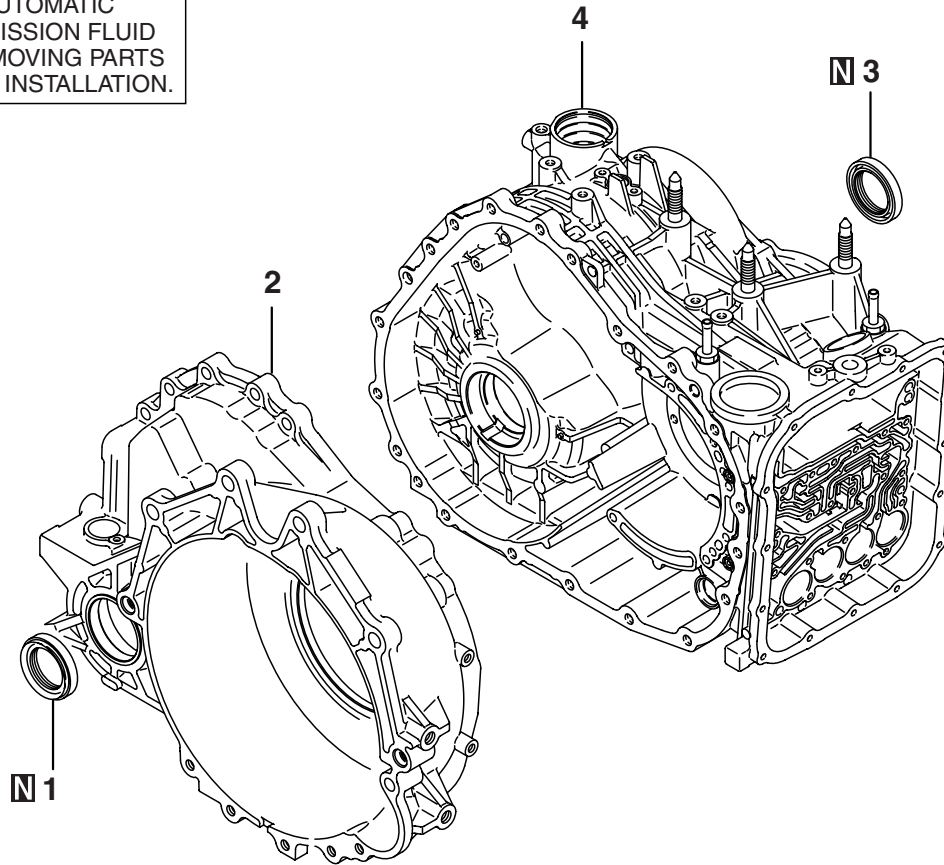
3. REDUCTION BRAKE PISTON
4. SEAL RING

## DRIVE SHAFT OIL SEAL

## DISASSEMBLY AND ASSEMBLY

M1233004300250

APPLY AUTOMATIC  
TRANSMISSION FLUID  
TO ALL MOVING PARTS  
BEFORE INSTALLATION.



AK403292AB

**DISASSEMBLY STEPS**

- >>A<< 1. OIL SEAL  
2. TORQUE CONVERTER HOUSING

**DISASSEMBLY STEPS**

- >>B<< 3. OIL SEAL  
4. TRANSAXLE CASE

**Required Special Tool:**

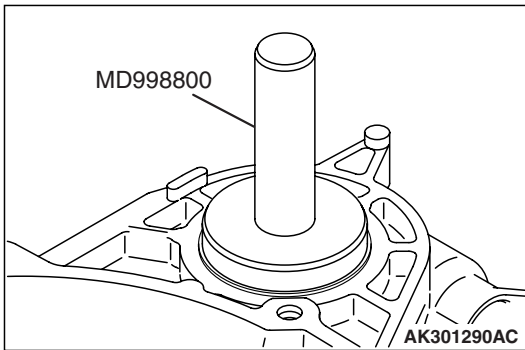
- MD998800: Oil Seal Installer



**ASSEMBLY SERVICE POINTS**

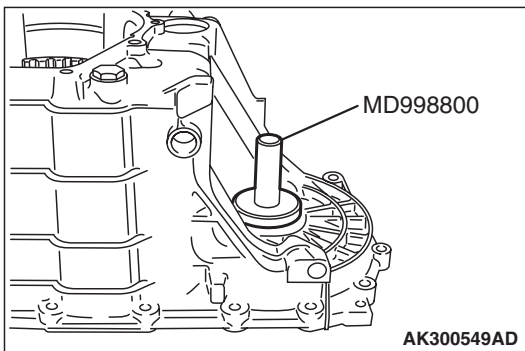
**>>A<< OIL SEAL INSTALLATION**

Use special tool MD998800 to tap the oil seal into the torque converter housing.



**>>B<< OIL SEAL INSTALLATION**

Use special tool MD998800 to tap the oil seal in the transaxle case.



**SPECIFICATIONS****FASTENER TIGHTENING SPECIFICATIONS**

M1233023100578

| ITEM                |   | SPECIFICATIONS                |
|---------------------|---|-------------------------------|
| Transaxle           | Roll stopper bracket                      | 70 ± 10 N· m (52 ± 7 ft-lb)   |
|                     | Control cable support bracket             | 23 ± 3 N· m (17 ± 2 ft-lb)    |
|                     | Eye bolt                                  | 24 ± 3 N· m (18 ± 2 ft-lb)    |
|                     | Oil cooler feed tube                      | 11 ± 1 N· m (97 ± 9 in-lb)    |
|                     | Input shaft speed sensor                  | 11 ± 1 N· m (97 ± 9 in-lb)    |
|                     | Output shaft speed sensor                 | 11 ± 1 N· m (97 ± 9 in-lb)    |
|                     | Manual control lever                      | 22 ± 3 N· m (16 ± 2 ft-lb)    |
|                     | Park/neutral position switch (PNP switch) | 11 ± 1 N· m (97 ± 9 in-lb)    |
|                     | Sealing cap                               | 5.0 ± 1.0 N· m (44 ± 9 in-lb) |
|                     | Valve body cover                          | 11 ± 1 N· m (97 ± 9 in-lb)    |
|                     | Manual control shaft detente              | 6.0 ± 1.0 N· m (53 ± 9 in-lb) |
|                     | Valve body mounting bolt                  | 11 ± 1 N· m (97 ± 9 in-lb)    |
|                     | Fluid temperature sensor                  | 11 ± 1 N· m (97 ± 9 in-lb)    |
|                     | Torque converter housing                  | 48 ± 6 N· m (35 ± 4 ft-lb)    |
|                     | Oil pump                                  | 29 ± 2 N· m (21 ± 1 ft-lb)    |
|                     | Rear cover                                | 23 ± 3 N· m (17 ± 2 ft-lb)    |
| Transfer drive gear | 34 ± 2 N· m (25 ± 1 ft-lb)                |                               |
| Anchor plug         | 98 ± 15 N· m (72 ± 11 ft-lb)              |                               |
| Components          | Direct planetary carrier lock nut         | 170 ± 10 N· m (125 ± 7 ft-lb) |
|                     | Differential drive gear                   | 135 ± 5 N· m (100 ± 3 ft-lb)  |
|                     | Solenoid valve support                    | 6.0 ± 1.0 N· m (53 ± 9 in-lb) |
|                     | Valve body                                | 11 ± 1 N· m (97 ± 9 in-lb)    |
|                     | Plate                                     | 6.0 ± 1.0 N· m (53 ± 9 in-lb) |

**GENERAL SPECIFICATIONS**

M1233000200596

| ITEM             |                    | SPECIFICATIONS                                   |
|------------------|--------------------|--|
| Transaxle model  |                    | F5A5A  |
| Type             |                    | Electronically controlled 5-speed full-automatic |
| Torque converter | Type               | 3-element with torque converter clutch           |
|                  | Stall torque ratio | 1.7  |
| Gear ratio       | 1st                | 3.789  |
|                  | 2nd                | 2.162  |
|                  | 3rd                | 1.421  |
|                  | 4th                | 1.000  |
|                  | 5th                | 0.686  |
|                  | Reverse            | 3.117  |
| Final gear ratio |                    | 3.325  |

**SERVICE SPECIFICATIONS**

M1233000300441

| <b>ITEM</b>  | <b>STANDARD VALUE</b>           |
|--|---------------------------------|
| Brake reaction plate end play mm (in)                                | 0 – 0.16 (0 – 0.0063)           |
| Second brake end play mm (in)  | 1.09 – 1.55 (0.0429 – 0.0610)   |
| Low-reverse brake end play mm (in)                                   | 1.65 – 2.11 (0.0649 – 0.0831)   |
| Underdrive sun gear end play mm (in)                                 | 0.25 – 0.45 (0.0098 – 0.0177)   |
| Input shaft end play mm (in)   | 0.70 – 1.45 (0.028 – 0.057)     |
| Differential case preload mm (in)                                    | 0.045 – 0.105 (0.0018 – 0.0041) |
| Underdrive clutch end play mm (in)                                   | 1.60 – 1.80 (0.0630 – 0.0709)   |
| Reverse and overdrive clutch return spring retainer end play mm (in) | 0 – 0.09 (0 – 0.0035)           |
| Reverse clutch end play mm (in)                                      | 1.6 – 1.8 (0.0630 – 0.0709)     |
| Overdrive clutch end play mm (in)                                    | 1.5 – 1.7 (0.0590 – 0.0669)     |
| Direct clutch end play (in)  | 0.6 – 0.8 (0.02362 – 0.03149)   |
| Backlash between differential side gear and pinion mm (in)           | 0.025 – 0.150 (0.0010 – 0.0059) |

**VALVE BODY SPRING IDENTIFICATION TABLE**

M1233022900195

| <b>SPRING</b>                                | <b>WIRE DIAMETER mm (in)</b> | <b>OUTSIDE DIAMETER mm (in)</b> | <b>FREE LENGTH mm (in)</b> | <b>NUMBER OF LOOPS</b> |
|--|------------------------------|---------------------------------|----------------------------|------------------------|
| Regulator valve spring                       | 1.8 (0.071)                  | 15.7 (0.618)                    | 86.7 (3.413)               | 24                     |
| Underdrive pressure control valve spring     | 0.7 (0.028)                  | 7.6 (0.299)                     | 37.7 (1.484)               | 25                     |
| Overdrive pressure control valve spring      | 0.7 (0.028)                  | 7.6 (0.299)                     | 37.7 (1.484)               | 25                     |
| Low-reverse pressure control valve spring    | 0.7 (0.028)                  | 7.6 (0.299)                     | 37.7 (1.484)               | 25                     |
| Second pressure control valve spring         | 0.7 (0.028)                  | 7.6 (0.299)                     | 37.7 (1.484)               | 25                     |
| Torque converter spring                      | 1.6 (0.063)                  | 11.2 (0.441)                    | 34.4 (1.354)               | 12.5                   |
| Torque converter clutch control valve spring | 0.7 (0.028)                  | 5.9 (0.232)                     | 28.1 (1.106)               | 19                     |
| Fail-safe valve spring                       | 0.7 (0.028)                  | 8.9 (0.350)                     | 21.9 (0.862)               | 9.5                    |
| Damping valve spring                         | 1.0 (0.039)                  | 7.7 (0.303)                     | 35.8 (1.409)               | 17                     |
| Line relief valve spring                     | 1.0 (0.039)                  | 7.0 (0.276)                     | 17.3 (0.681)               | 10                     |
| Orifice check ball spring                    | 0.5 (0.020)                  | 4.5 (0.177)                     | 17.2 (0.677)               | 15                     |

## ADJUSTING PLATE, SNAP RING AND SPACERS

M1233023000430

## Thrust washer (For adjustment of input shaft end play)

| THICKNESS mm (in) | IDENTIFICATION SYMBOL | THICKNESS mm (in) | IDENTIFICATION SYMBOL |
|-------------------|-----------------------|-------------------|-----------------------|
| 1.8 (0.071)       | 18                    | 2.4 (0.094)       | 24                    |
| 2.0 (0.079)       | 20                    | 2.6 (0.102)       | 26                    |
| 2.2 (0.087)       | 22                    | 2.8 (0.110)       | 28                    |

## Snap ring (For adjustment of underdrive clutch and overdrive clutch end play)

| THICKNESS mm (in) | IDENTIFICATION SYMBOL | THICKNESS mm (in) | IDENTIFICATION SYMBOL |
|-------------------|-----------------------|-------------------|-----------------------|
| 1.6 (0.063)       | Brown                 | 2.4 (0.094)       | Blue                  |
| 1.7 (0.067)       | None                  | 2.5 (0.098)       | Brown                 |
| 1.8 (0.071)       | Blue                  | 2.6 (0.102)       | None                  |
| 1.9 (0.075)       | Brown                 | 2.7 (0.106)       | Blue                  |
| 2.0 (0.079)       | None                  | 2.8 (0.110)       | Brown                 |
| 2.1 (0.083)       | Blue                  | 2.9 (0.114)       | None                  |
| 2.2 (0.087)       | Brown                 | 3.0 (0.118)       | Blue                  |
| 2.3 (0.091)       | None                  |                   |                       |

## Snap ring (For adjustment of low-reverse brake and second brake reaction plates end play)

| THICKNESS mm (in) | IDENTIFICATION SYMBOL | THICKNESS mm (in) | IDENTIFICATION SYMBOL |
|-------------------|-----------------------|-------------------|-----------------------|
| 2.2 (0.087)       | None                  | 2.4 (0.094)       | Brown                 |
| 2.3 (0.091)       | Blue                  | 2.5 (0.098)       | None                  |

## Pressure plate (For adjustment of low-reverse brake and second brake end play)

| THICKNESS mm (in) | IDENTIFICATION SYMBOL | THICKNESS mm (in) | IDENTIFICATION SYMBOL |
|-------------------|-----------------------|-------------------|-----------------------|
| 1.6 (0.063)       | F                     | 2.4 (0.094)       | B                     |
| 1.8 (0.071)       | E                     | 2.6 (0.102)       | A                     |
| 2.0 (0.079)       | D                     | 2.8 (0.110)       | 0                     |
| 2.2 (0.087)       | C                     | 3.0 (0.118)       | 1                     |

## Snap ring (For adjustment of reverse clutch end play)

| THICKNESS mm (in) | IDENTIFICATION SYMBOL | THICKNESS mm (in) | IDENTIFICATION SYMBOL |
|-------------------|-----------------------|-------------------|-----------------------|
| 1.6 (0.063)       | None                  | 2.3 (0.091)       | Blue                  |
| 1.7 (0.067)       | Blue                  | 2.4 (0.094)       | Brown                 |
| 1.8 (0.071)       | Brown                 | 2.5 (0.098)       | None                  |
| 1.9 (0.075)       | None                  | 2.6 (0.102)       | Blue                  |
| 2.0 (0.079)       | Blue                  | 2.7 (0.106)       | Brown                 |
| 2.1 (0.083)       | Brown                 | 2.8 (0.110)       | None                  |
| 2.2 (0.087)       | None                  |                   |                       |

## Snap ring (For adjustment of reverse clutch and overdrive clutch spring retainer end plays)

| THICKNESS mm (in) | IDENTIFICATION SYMBOL | THICKNESS mm (in) | IDENTIFICATION SYMBOL |
|-------------------|-----------------------|-------------------|-----------------------|
| 1.48 (0.0583)     | Brown                 | 1.58 (0.0622)     | Blue                  |
| 1.53 (0.0602)     | None                  | 1.63 (0.0642)     | Brown                 |

**Thrust race (For adjustment of underdrive sun gear end play)**

| THICKNESS mm (in) | IDENTIFICATION SYMBOL | THICKNESS mm (in) | IDENTIFICATION SYMBOL |
|-------------------|-----------------------|-------------------|-----------------------|
| 1.6 (0.063)       | –                     | 2.2 (0.087)       | –                     |
| 1.7 (0.067)       | –                     | 2.3 (0.091)       | –                     |
| 1.8 (0.071)       | –                     | 2.4 (0.094)       | –                     |
| 1.9 (0.075)       | –                     | 2.5 (0.098)       | –                     |
| 2.0 (0.079)       | –                     | 2.6 (0.102)       | –                     |
| 2.1 (0.083)       | –                     |                   |                       |

**Spacer (For adjustment of direct clutch end play)**

| THICKNESS mm (in) | IDENTIFICATION SYMBOL | THICKNESS mm (in) | IDENTIFICATION SYMBOL |
|-------------------|-----------------------|-------------------|-----------------------|
| 1.9 (0.075)       | Brown                 | 2.5 (0.098)       | Brown                 |
| 2.0 (0.079)       | None                  | 2.6 (0.102)       | None                  |
| 2.1 (0.083)       | Blue                  | 2.7 (0.106)       | Blue                  |
| 2.2 (0.087)       | Brown                 | 2.8 (0.110)       | Brown                 |
| 2.3 (0.091)       | None                  | 2.9 (0.114)       | None                  |
| 2.4 (0.094)       | Blue                  | 3.0 (0.118)       | Blue                  |

**Spacer (For adjustment of differential case preload)**

| THICKNESS mm (in) | IDENTIFICATION SYMBOL | THICKNESS mm (in) | IDENTIFICATION SYMBOL |
|-------------------|-----------------------|-------------------|-----------------------|
| 0.65 (0.0256)     | 65                    | 1.01 (0.0398)     | 01                    |
| 0.68 (0.0268)     | 68                    | 1.04 (0.0409)     | 04                    |
| 0.71 (0.0280)     | 71                    | 1.07 (0.0421)     | 07                    |
| 0.74 (0.0291)     | 74                    | 1.10 (0.0433)     | 10                    |
| 0.77 (0.0303)     | 77                    | 1.13 (0.0445)     | 13                    |
| 0.80 (0.0315)     | 80                    | 1.16 (0.0457)     | 16                    |
| 0.83 (0.0327)     | 83                    | 1.19 (0.0469)     | 19                    |
| 0.86 (0.0339)     | 86                    | 1.22 (0.0480)     | 22                    |
| 0.89 (0.0350)     | 89                    | 1.25 (0.0492)     | 25                    |
| 0.92 (0.0362)     | 92                    | 1.28 (0.0504)     | 28                    |
| 0.95 (0.0374)     | 95                    | 1.31 (0.0516)     | 31                    |
| 0.98 (0.0386)     | 98                    | 1.34 (0.0528)     | 34                    |

**Spacer (For adjustment of backlash between differential side gear and pinion)**

| THICKNESS mm (in)             | IDENTIFICATION SYMBOL | THICKNESS mm (in)             | IDENTIFICATION SYMBOL |
|-------------------------------|-----------------------|-------------------------------|-----------------------|
| 0.56 – 0.64 (0.0220 – 0.0252) | –                     | 0.86 – 0.94 (0.0339 – 0.0370) | –                     |
| 0.66 – 0.74 (0.0260 – 0.0291) | –                     | 0.96 – 1.04 (0.0378 – 0.0409) | –                     |
| 0.76 – 0.84 (0.0299 – 0.0331) | –                     | 0.97 – 1.15 (0.0382 – 0.0453) | –                     |

**SEALANTS**

M1233000500241

| <b>ITEMS</b>             | <b>SPECIFIED SEALANT</b>                                   |
|--------------------------|--|
| Rear cover               | mitsubishi genuine sealant Part No. MD974421 or equivalent |
| Torque converter housing | mitsubishi genuine sealant Part No. MD974421 or equivalent |
| Valve body cover         | mitsubishi genuine sealant Part No. MD974421 or equivalent |